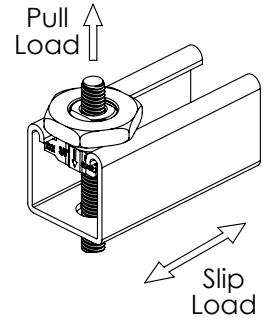
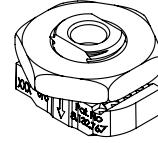


CADDY® ROD LOCK Channel Nut



Part No.	Article Number	Rod Size	Load Rating		
			Pull Load ^A	Pull Load ^B	Slip Load
CRLS37EG	N/A	3/8"	750 LBS	1200 LBS	400 LBS
CRLSM8EG	390003	M8	2750 N	5000 N	1750 N
CRLSM10EG	390004	M10	3750 N	6000 N	1750 N

Not for use with hot dip galvanized threaded rod or screw.

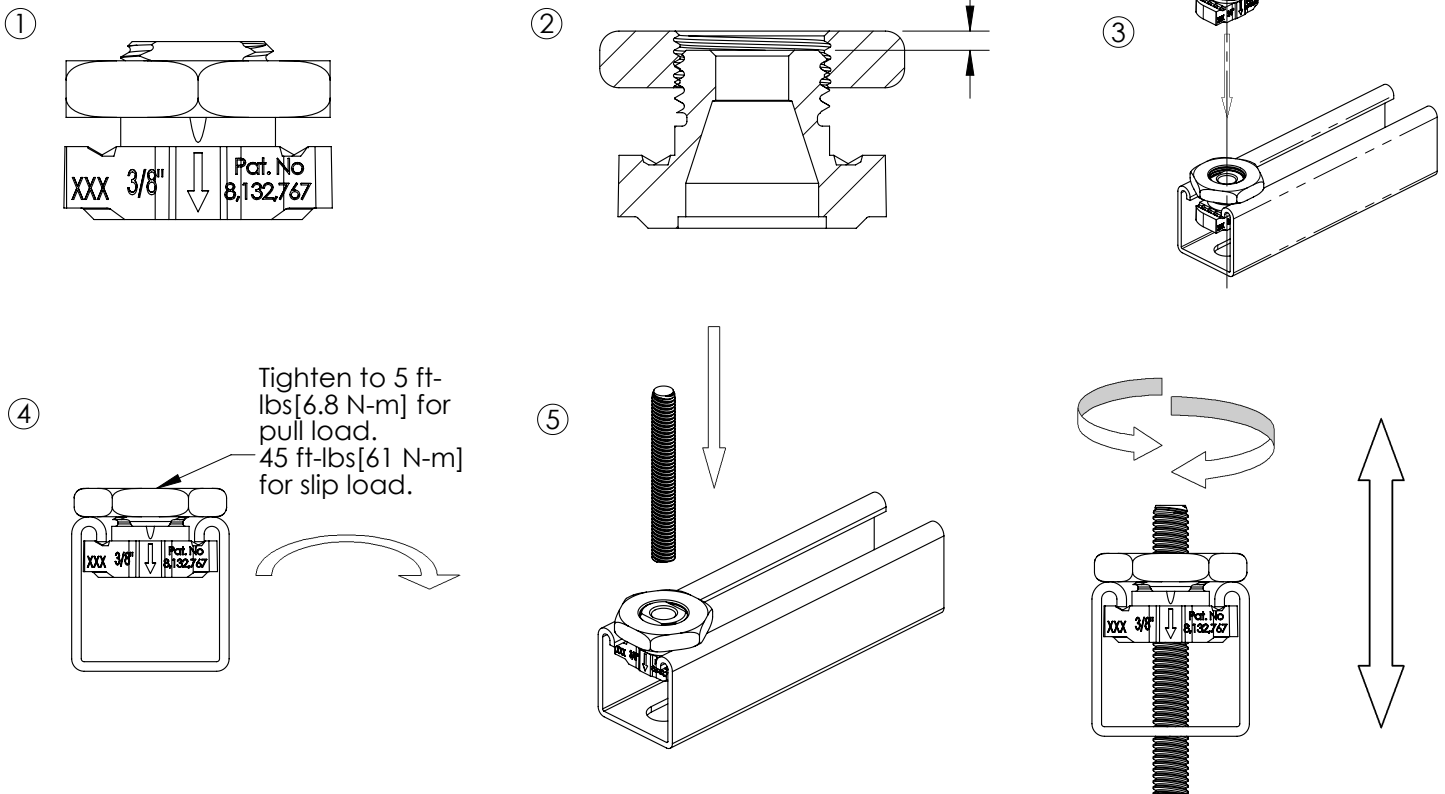
A - SAE® J429 GRADE 2; ASTM® A307 GRADE A,B,C; ISO® 898 GRADE 4.6

B - SAE® J429 GRADE 5; ASTM® A449; ISO® 898 GRADE 8.8

Top Up Mounting (See note 1)

*Arrow on CADDY® ROD LOCK Channel Nut must always point down.

*Load must not exceed capacity of channel.



Nut side is always the top side

WARNING:

1. ERICO products shall be installed and used only as indicated in ERICO product instruction sheets and training materials. Instruction sheets are available at www.erico.com and from your ERICO customer service representative.
2. ERICO products must never be used for a purpose other than the purpose for which they were designed or in a manner that exceeds specified load ratings.
3. All instructions must be completely followed to ensure proper and safe installation and performance.
4. Improper installation, misuse, misapplication or other failure to completely follow ERICO's instructions and warnings may cause product malfunction, property damage, serious bodily injury and death.
5. Products that are manufactured using spring steel components shall be used only in a non-corrosive indoor environment.
6. All pipe supports, hangers, intermediate components and structural attachments must ONLY be used as described herein and are NEVER to be used for any other purpose.

NOTE: All load ratings are for static conditions and do not account for dynamic loading such as wind, water or seismic loads, unless otherwise noted.

The customer is responsible for:

- a. Conformance to all governing codes.
- b. The integrity of structures to which the products are attached, including their capability of safely accepting the loads imposed, as evaluated by a qualified engineer.
- c. Using appropriate industry standard hardware as noted above.

SAFETY INSTRUCTIONS:

All governing codes and regulations and those required by the job site must be observed. Always use appropriate safety equipment such as eye protection, hard hat, and gloves as appropriate to the application.

ASTM is a registered trademark of American Society for Testing and Materials
 ISO is a registered trademark of International Organization for Standardization
 SAE is a registered trademark of SAE International

CADDY, CADWELD, CRITEC, ERICO, ERIFLEX, ERITECH, and LENTON are registered trademarks of ERICO International Corporation.

TECHNICAL SUPPORT:
www.erico.com

CFS411_G

1 OF 2

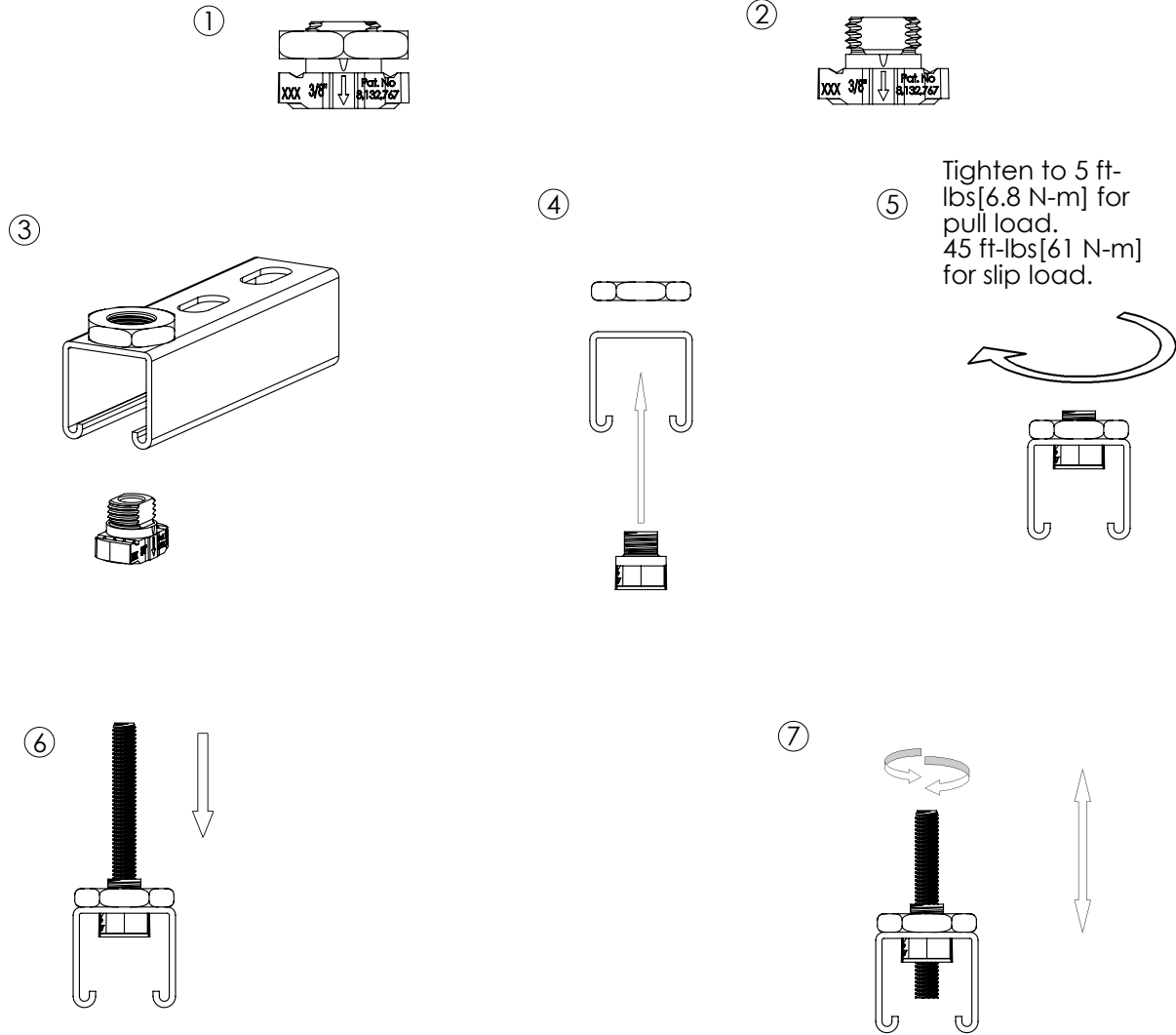
© 2009, 2010, 2014 ERICO International Corporation



CADDY® ROD LOCK Channel Nut

Bottom Up Mounting (See note 1)

*Arrow on CADDY® ROD LOCK Channel Nut must always point down.

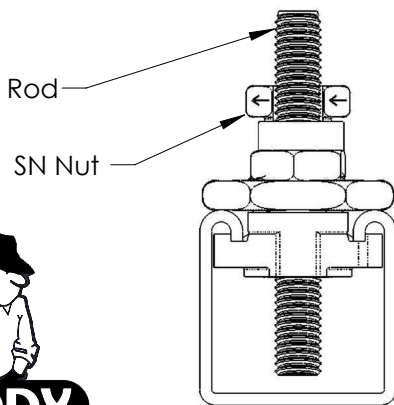


Tighten to 5 ft-lbs [6.8 N-m] for pull load.
45 ft-lbs [61 N-m] for slip load.

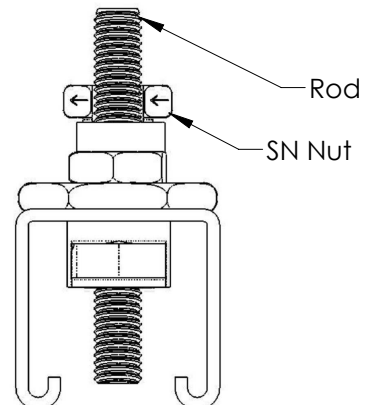
Note 1

For the up-thrust load or high amplitude vibration application, add a jam nut or SN Nut as shown below.

Top Up Mount



Bottom Up Mount



SN Series Nut

Rod Size	Part Number	Article Number
3/8"	SN37	n/a
M8	SNM8	390006
M10	SNM10	390007

