

BC Beam Clamp & Conduit Clip

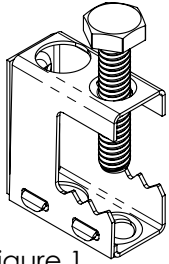


Figure 1

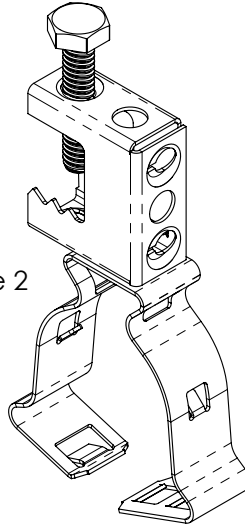


Figure 2

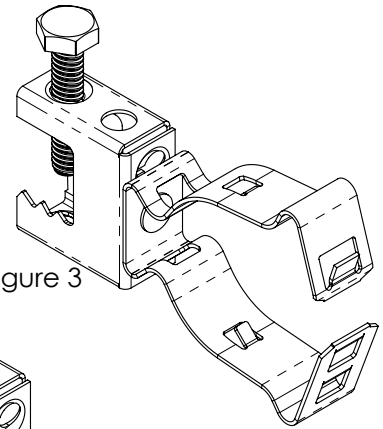


Figure 3

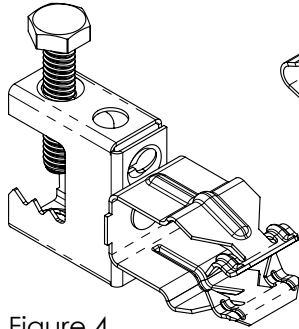


Figure 4

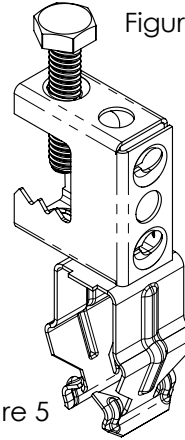
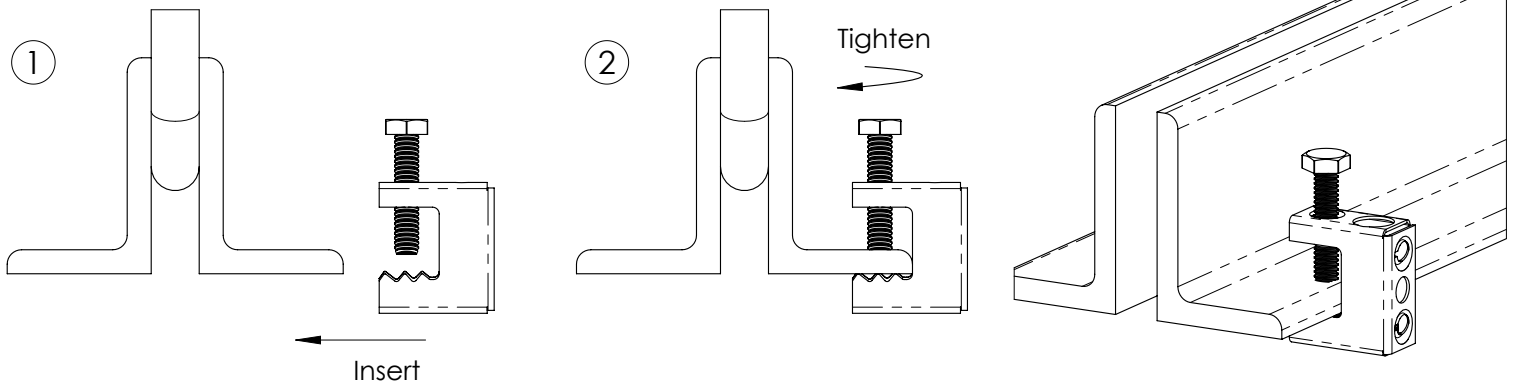


Figure 5

BC Beam Clamp Installation

1. Install BC Beam Clamp onto a Maximum Flange Thickness of 1/2" [13 mm].
2. Tighten Beam Clamp Set Screw to 20 in.-lbs. [2.25 N-m]



WARNING:

1. nVent products shall be installed and used only as indicated in nVent product instruction sheets and training materials. Instruction sheets are available at www.nVent.com and from your nVent customer service representative.
2. nVent products must never be used for a purpose other than the purpose for which they were designed or in a manner that exceeds specified load ratings.
3. All instructions must be **completely** followed to ensure proper and safe installation and performance.
4. Improper installation, misuse, misapplication or other failure to completely follow nVent's instructions and warnings may cause product malfunction, property damage, serious bodily injury and/or death, and void your warranty.
5. Products that are manufactured using spring steel components shall be used only in a non-corrosive indoor environment.
6. All pipe supports, hangers, intermediate components and structural attachments must **ONLY** be used as described herein and are **NEVER** to be used for any other purpose.

NOTE: All load ratings are for static conditions and do not account for dynamic loading such as wind, water or seismic loads, unless otherwise noted.

The customer is responsible for:

- a. Conformance to all governing codes.
- b. The integrity of structures to which the products are attached, including their capability of safely accepting the loads imposed, as evaluated by a qualified engineer.
- c. Using appropriate industry standard hardware as noted above.

SAFETY INSTRUCTIONS:

All governing codes and regulations and those required by the job site must be observed. Always use appropriate safety equipment such as eye protection, hard hat, and gloves as appropriate to the application.

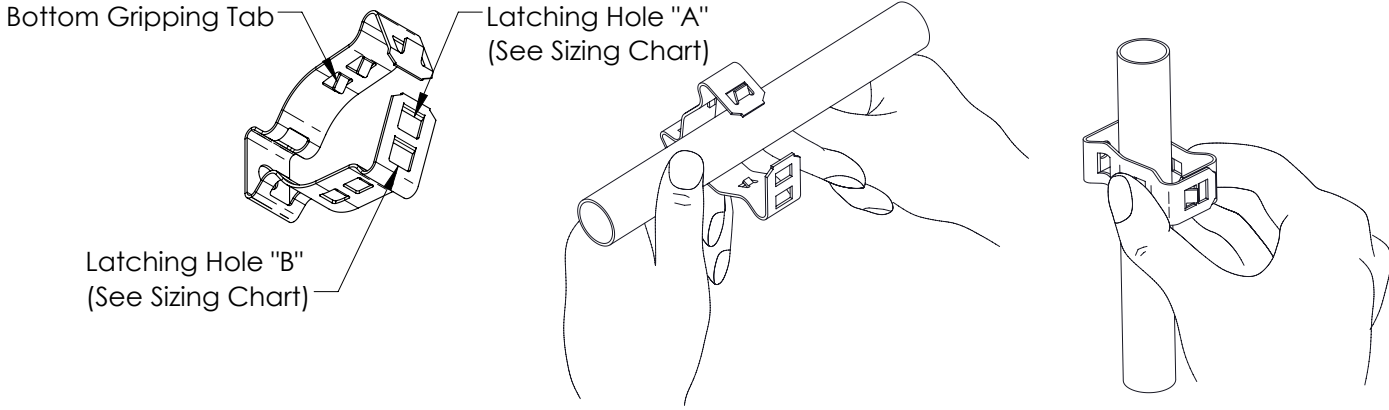
nVent, nVent CADDY, nVent ERICO Cadweld, nVent ERICO Critec, nVent ERICO, nVent ERIFLEX, and nVent LENTON are owned by nVent or its global affiliates. All other trademarks are the property of their respective owners. nVent reserves the right to change specifications without prior notice.

Conduit Clip Installation

1. Select the appropriate Latching Hole from Sizing Chart
2. Fit Conduit into Conduit Clip
For the 16M, compress the Bottom Gripping Tabs prior to installing the 3/4" RIGID and 1" RIGID Conduit
3. By Hand or with Channel Lock Pliers, snap Locking Tab into the desired Latching Hole

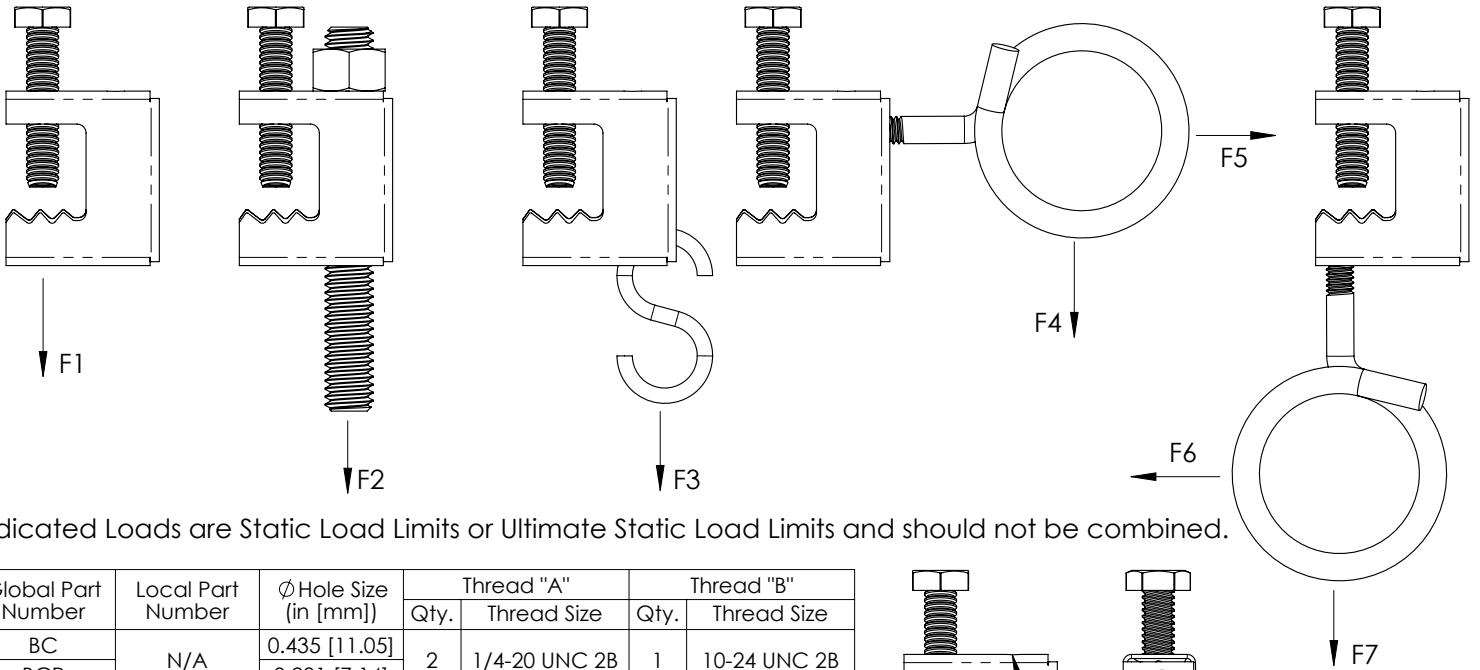
Global Part Number	Local Part Number	Sizing Chart	
		Latch "A"	Latch "B"
6M	170790	3/8" EMT, IMC & RIGID	N/A
812M	177130	3/4" EMT, IMC & RIGID	1/2" EMT, IMC & RIGID
16M	170100	1" EMT, IMC & RIGID	3/4" EMT, IMC & RIGID
20M	170110	1-1/4" RIGID	1-1/4" EMT & IMC
24M	170120	1-1/2" RIGID	1-1/2" EMT & IMC
32M	170130	2" RIGID	2" EMT & IMC

For Thread Impression Conduit Clip's, select the appropriate Latching Hole from the Sizing Chart based on the Conduit Size being used.



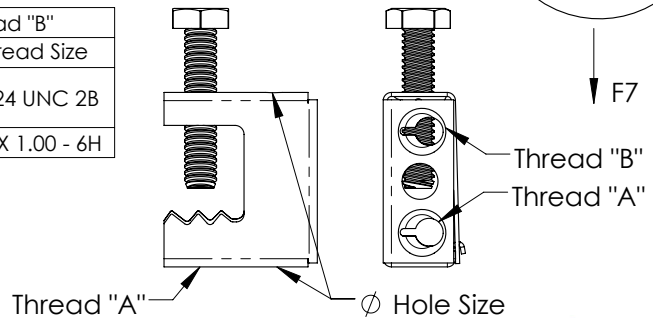
BC Beam Clamp

Global Part Number	Local Part Number	Figure No.	Flange Thickness (in [mm])	Static Load Rating (lb [N])			Ult. Static Load Rating (lb [N])			
				F1	F2	F3	F4	F5	F6	F7
BC	N/A	1	1/2" [13] Max	100	100	75	25	25	25	25
BCR				[445]	[445]	[334]	[111]	[111]	[111]	[111]
EBC	170380									

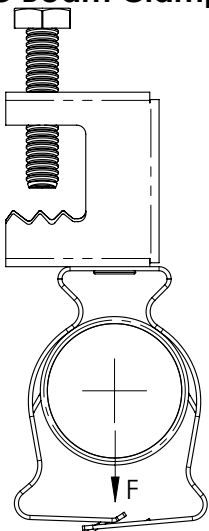


Indicated Loads are Static Load Limits or Ultimate Static Load Limits and should not be combined.

Global Part Number	Local Part Number	Ø Hole Size (in [mm])	Thread "A"		Thread "B"	
			Qty.	Thread Size	Qty.	Thread Size
BC	N/A	0.435 [11.05]	2	1/4-20 UNC 2B	1	10-24 UNC 2B
BCR		0.281 [7.14]				
EBC	170380	0.435 [11.05]	2	M6 X 1.00 - 6H	1	M6 X 1.00 - 6H

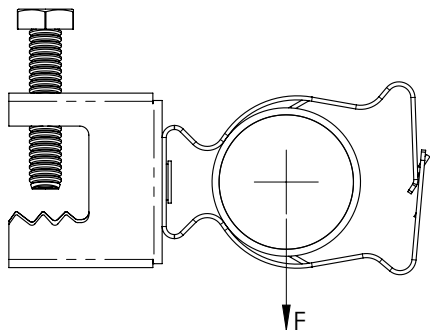


BC Beam Clamp with Bottom Mount Conduit Clip



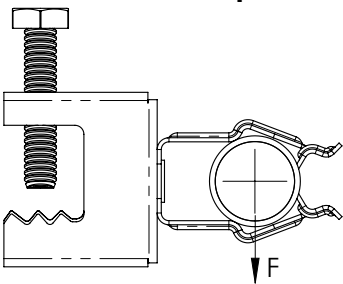
Global Part Number	Local Part Number	Figure No.	Description	Static Load Rating (lb [N])
BC6M	N/A	2	3/8" [10] conduit to 1/2" [13] maximum flange	100 [445]
BC812M			1/2" [13] - 3/4" [19] conduit to 1/2" [13] maximum flange	
BC16M			3/4" [19] - 1" [25] conduit to 1/2" [13] maximum flange	
BC20M			1-1/4" [32] conduit to 1/2" [13] maximum flange	
BC24M			1-1/2" [38] conduit to 1/2" [13] maximum flange	
BC32M			2" [51] conduit to 1/2" [13] maximum flange	
EBC6M	172580	3/8" [10] conduit to 1/2" [13] maximum flange		
EBC812M	160200	1/2" [13] - 3/4" [19] conduit to 1/2" [13] maximum flange		
EBC16M	172590	3/4" [19] - 1" [25] conduit to 1/2" [13] maximum flange		
EBC20M	172600	1-1/4" [32] conduit to 1/2" [13] maximum flange		
EBC24M	172610	1-1/2" [38] conduit to 1/2" [13] maximum flange		
EBC32M	172620	2" [51] conduit to 1/2" [13] maximum flange		

BC Beam Clamp with Side Mount Conduit Clip



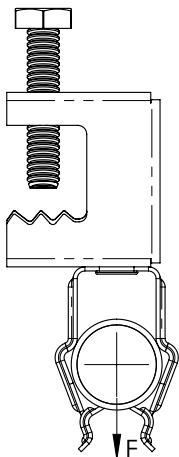
Global Part Number	Local Part Number	Figure No.	Description	Static Load Rating (lb [N])
BC812MSM	N/A	3	1/2" [13] - 3/4" [19] conduit to 1/2" [13] maximum flange	25 [111]
BC16MSM			3/4" [19] - 1" [25] conduit to 1/2" [13] maximum flange	
BC20MSM			1-1/4" [32] conduit to 1/2" [13] maximum flange	
BC24MSM			1-1/2" [38] conduit to 1/2" [13] maximum flange	
BC32MSM			2" [51] conduit to 1/2" [13] maximum flange	
EBC6MSM			172650	
EBC812MSM	160180	1/2" [13] - 3/4" [19] conduit to 1/2" [13] maximum flange		
EBC16MSM	172660	3/4" [19] - 1" [25] conduit to 1/2" [13] maximum flange		
EBC20MSM	172670	1-1/4" [32] conduit to 1/2" [13] maximum flange		
EBC24MSM	172680	1-1/2" [38] conduit to 1/2" [13] maximum flange		
EBC32MSM	172690	2" [51] conduit to 1/2" [13] maximum flange		

BC Beam Clamp with Side Mount Push Clip



Global Part Number	Local Part Number	Figure No.	Description	Ultimate Static Load Rating (lb [N])
BC8PSM	N/A	4	1/2" [13] EMT conduit to 1/2" [13] maximum flange	25 [111]
BC12PSM			3/4" [19] EMT or 1/2" [13] Rigid conduit to 1/2" [13] max flange	
BC16PSM			1" [25] EMT or 3/4" [19] Rigid conduit to 1/2" [13] max flange	
EBC8PSM	172730		1/2" [13] EMT conduit to 1/2" [13] maximum flange	
EBC12PSM	172740		3/4" [19] EMT or 1/2" [13] Rigid conduit to 1/2" [13] max flange	
EBC16PSM	172750		1" [25] EMT or 3/4" [19] Rigid conduit to 1/2" [13] max flange	

BC Beam Clamp with Bottom Mount Push Clip



Global Part Number	Local Part Number	Figure No.	Description	Ultimate Static Load Rating (lb [N])
BC8P	N/A	5	1/2" [13] EMT conduit to 1/2" [13] maximum flange	25 [111]
BC12P			3/4" [19] EMT or 1/2" [13] Rigid conduit to 1/2" [13] max flange	
BC16P			1" [25] EMT or 3/4" [19] Rigid conduit to 1/2" [13] max flange	
EBC8P	172700		1/2" [13] EMT conduit to 1/2" [13] maximum flange	
EBC12P	172710		3/4" [19] EMT or 1/2" [13] Rigid conduit to 1/2" [13] max flange	
EBC16P	172720		1" [25] EMT or 3/4" [19] Rigid conduit to 1/2" [13] max flange	