

CONCEPT CONSOLE, TYPE 4X

INDUSTRY STANDARDS

UL 508A Listed; Type 3R, 4, 4X, 12; File No. E61997
 cUL Listed per CSA C22.2 No 94; Type 3R, 4, 4X, 12; File No. E61997

NEMA Type 3R, 4, 4X, 12, 13
 CSA File No. 42186: Type 4, 4X, 12
 Meets NEMA Type 3RX requirements

APPLICATION

Sloped CONCEPT Consoles provide a convenient surface for mounting and monitoring components. Ergonomically designed so users can sit or stand while working, consoles feature a large internal capacity for mounting components and controls.

SPECIFICATIONS

- 14 gauge Type 304 stainless steel
- Ergonomically designed for sitting or standing operation
- Solid bottom
- Corner-formed doors
- External-formed 90-degree body flange
- 20-degree sloped-top cover for 38.00-in. (965-mm) tall console or 30-degree top cover for 48.00-in. (1219-mm) console
- Quarter-turn stainless steel latches hold top cover securely closed
- Door props hold top cover open at 90-degrees
- Integral water-shedding trough
- Collar studs for optional back panel
- Optional side panels (mounted to collar studs) expand equipment mounting space
- Tool-to-open 3-point latch on front access door; door is removable and reversible; 170-degree full-access opening
- Seamless foam-in-place gasket
- Bonding provision on door; grounding stud on body
- Provision for data pocket on lower front door
- Easy-to-remove clip-style hinge pins

FINISH

Doors and body have smooth #4 brushed finish.

ACCESSORIES

See also *Accessories*.
 Caster Kit
 Side Panels

MODIFICATION AND CUSTOMIZATION

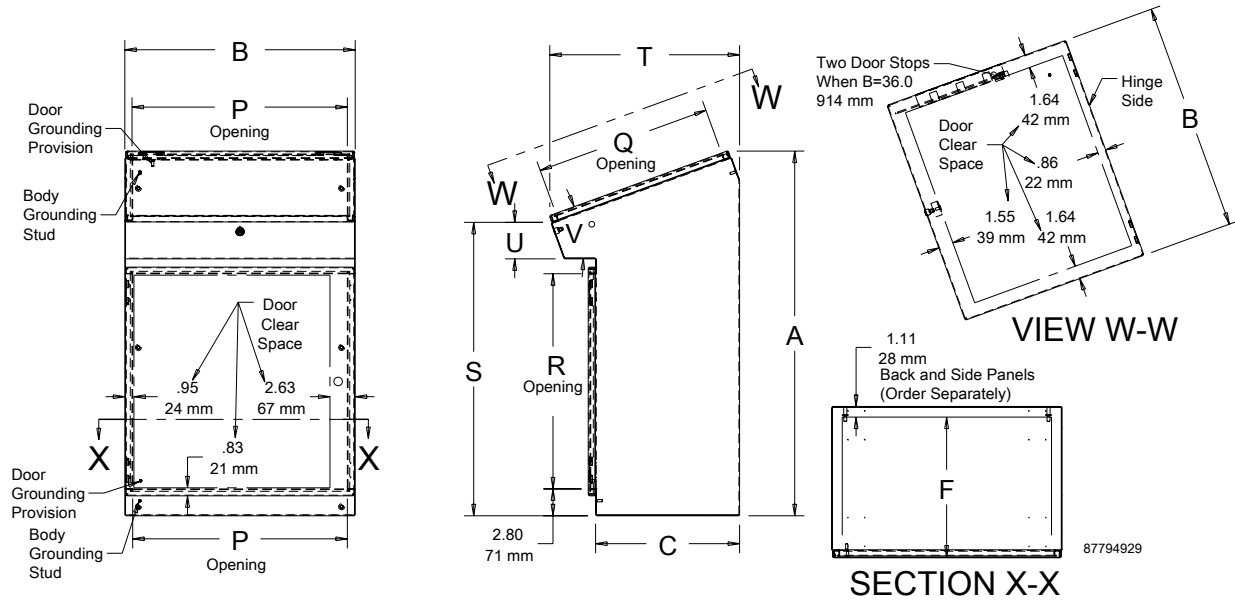
Hoffman excels at modifying and customizing products to your specifications. Contact your local Hoffman sales office or distributor for complete information.

BULLETIN: C1S

Standard Product

Catalog Number	AxBxC in./mm	Back Panel	Conductive Panel	Back Panel Height x Width in./mm	F in./mm	P in./mm	Q in./mm	R in./mm	S in./mm	T in./mm	U in./mm	V	W in./mm	Data Pocket
CFC382416SS	38.00 x 24.00 x 15.00 965 x 610 x 381	CP3624	CP3624G	34.20 x 22.20 869 x 564	14.57 370	22.40 569	18.40 467	22.37 568	30.44 773	19.82 503	3.79 96	20°	20.00 508	Small
CFC383616SS	38.00 x 36.00 x 15.00 965 x 914 x 381	CP3636	CP3636G	34.20 x 34.20 869 x 869	14.57 370	34.40 874	18.40 467	22.37 568	30.44 773	19.82 503	3.79 96	20°	20.00 508	Large
CFC482423SS	48.00 x 24.00 x 18.00 1219 x 610 x 457	CP2442	CP2442G	40.20 x 22.20 1021 x 564	17.57 446	22.40 569	23.36 593	28.35 720	35.35 898	23.84 606	2.54 64	30°	24.00 610	Large
CFC483623SS	48.00 x 36.00 x 18.00 1219 x 914 x 457	CP4236	CP4236G	40.20 x 34.20 1021 x 869	17.57 446	34.40 874	23.36 593	28.35 720	35.35 898	23.84 606	2.54 64	30°	24.00 610	Large

Order Back Panel and Data Pocket separately.



CASTER KIT



Order two swivel caster kits or one swivel caster kit plus one stationary caster kit.
 Height = 3.72 in. (94 mm)
 Wheel diameter = 3.00 in. (76 mm)
 Load rating each = 210 lb. (95 kg)

BULLETIN: C1

Catalog Number	Description
AC4M6ST	Caster kit, stationary (2 casters per kit)
AC4M6SV	Caster kit, swivel (2 casters per kit)
CCPK18	Caster plate kit, 18 in., (2 plates per kit)

Order two swivel caster kits or one swivel caster kit plus one stationary caster kit.

SIDE PANELS



One panel per kit. Two kits required if a panel is needed on each side.

BULLETIN: C1

Catalog Number	D in./mm	E in./mm	G in./mm
CPC3816	27.15 690	13.65 347	4.33 110
CPC4823	31.57 802	16.65 423	3.54 40

