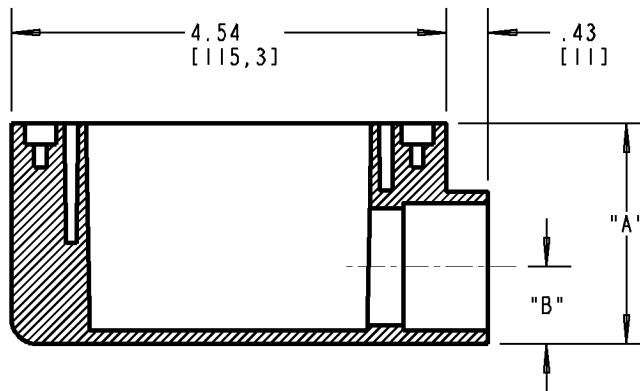
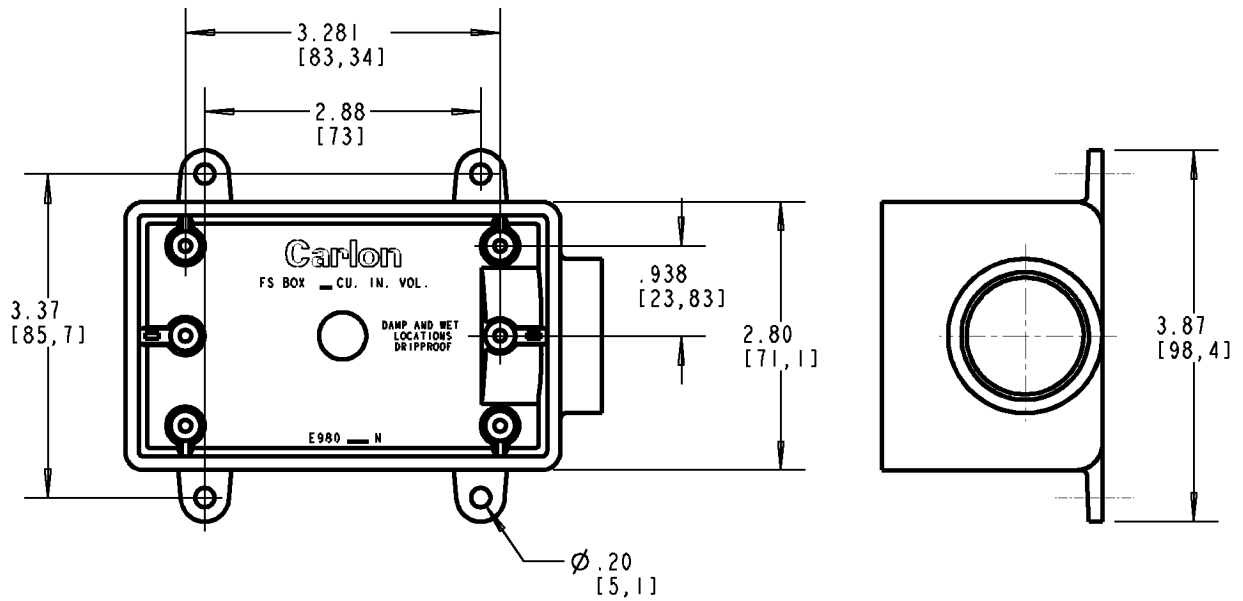


# Carlton



PART NO	CONDUIT SIZE INCHES (MM)	VOLUME CU. IN. (ML)	DIM 'A' INCHES (MM)	DIM 'B' INCHES (MM)
E9801DN	1/2" (16)	25 (410)	2.99 (75.9)	.566 (14.4)
E9801EN	3/4" (21)	25 (410)	2.99 (75.9)	.672 (17.1)
E9801FN	1" (27)	25 (410)	2.99 (75.9)	.805 (20.4)

## GENERAL NOTES

- ALL DIMENSIONS ARE FOR REFERENCE ONLY.
- DIMENSIONS IN BRACKETS [ ] ARE IN METRIC UNITS.

## REVISIONS

\*\*\* SEE ERN (\*\*\*\*) FOR APPROVAL SIGNATURES & RELEASE DATE.  
PROJECT NO: \*\*\*\*

**Thomas & Betts**  
www.tnb.com

DESCRIPTION: FS BOXES - 1/2", 3/4" & 1" SINGLE PORT

ORIGINAL PROJECT NO / ( ERN NO )

SHEET NO:

REV. NO:

DRAWING NO:

/ ( )

1 OF 1

C

WSD-AC02248