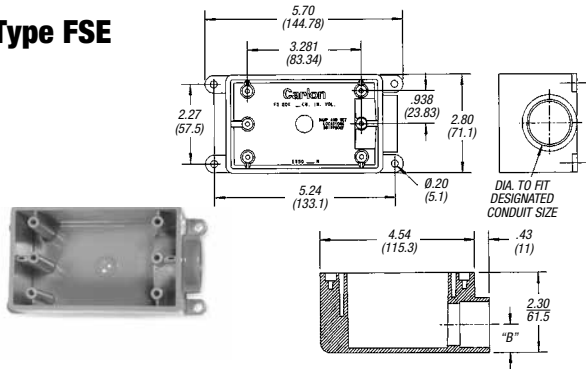


## Switch and Junction Boxes

### Single-Gang FS Boxes

#### Type FSE

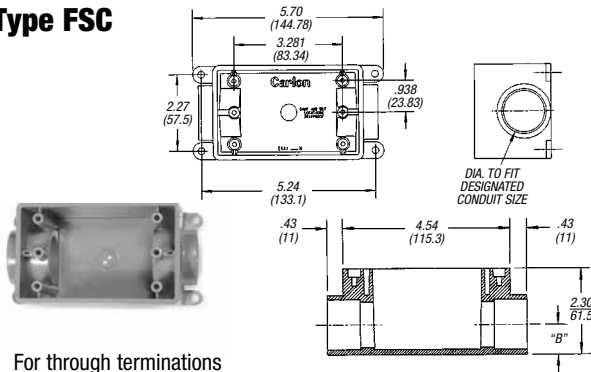


- For dead-end terminations
- All sizes take standard covers and accessories or devices
- Integral mounting feet provide easy mounting

| CAT. NO.      | SIZE (IN.) | VOL. CU. IN. | STD. CTN. |
|---------------|------------|--------------|-----------|
| E980DFN       | ½          | 19           | 10        |
| ☛ C980DFN-CTN | ½          | 18           | 12        |
| E980EFN       | ¾          | 19           | 10        |
| ☛ C980EFN-CTN | ¾          | 18           | 12        |
| E980FFN       | 1          | 19           | 18        |
| ☛ C980FFN-CTN | 1          | 18           | 8         |
| E980FFN-CAR   | 1          | 19           | 10        |

☛ Canada Only

#### Type FSC



- For through terminations
- All sizes take standard covers and accessories or devices
- Integral mounting feet provide easy mounting

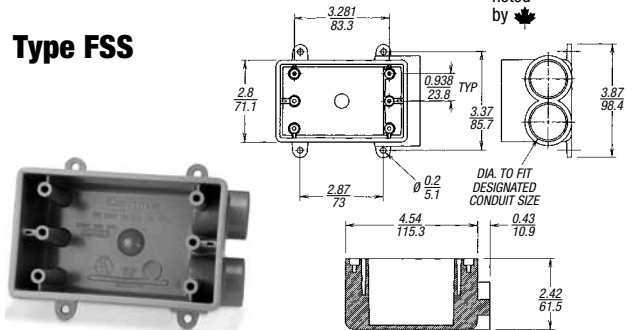
| CAT. NO.      | SIZE (IN.) | VOL. CU. IN. | STD. CTN. |
|---------------|------------|--------------|-----------|
| E981DFN       | ½          | 19           | 15        |
| ☛ C981DFN-CTN | ½          | 18           | 12        |
| E981EFN       | ¾          | 19           | 15        |
| ☛ C981EFN-CTN | ¾          | 18           | 12        |
| E981FFN       | 1          | 19           | 18        |
| E981FFN-CAR   | 1          | 19           | 10        |
| ☛ C981FFN-CTN | 1          | 18           | 8         |

☛ Canada Only



LR31146  
Where noted by ☛

#### Type FSS

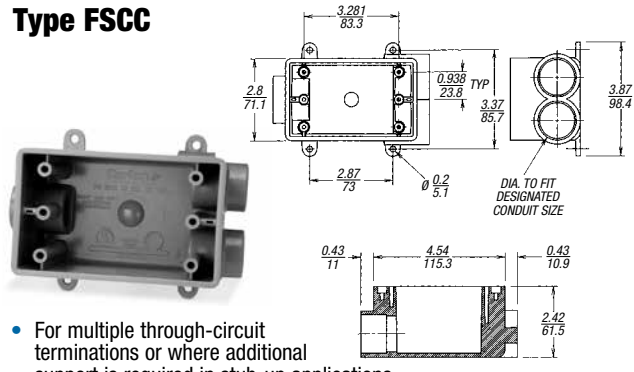


- For multiple dead-end circuit terminations or where additional support is required in stub-up applications
- All sizes take standard covers and accessories or devices
- Integral mounting feet provide easy mounting

| CAT. NO.      | SIZE (IN.) | VOL. CU. IN. | STD. CTN. |
|---------------|------------|--------------|-----------|
| E982DFN       | ½          | 19           | 10        |
| ☛ C982DFN-CTN | ½          | 18           | 12        |
| E982EFN       | ¾          | 19           | 10        |
| ☛ C982EFN-CTN | ¾          | 18           | 12        |
| E982FFN       | 1          | 19           | 10        |
| ☛ C982FFN-CTN | 1          | 18           | 8         |

☛ Canada Only

#### Type FSCC



- For multiple through-circuit terminations or where additional support is required in stub-up applications
- All sizes take standard covers and accessories or devices
- Integral mounting feet provide easy mounting

| CAT. NO.    | SIZE (IN.) | VOL. CU. IN. | STD. CTN. |
|-------------|------------|--------------|-----------|
| E979DFN-CAR | ½          | 19           | 10        |
| ☛ C979DFN   | ½          | 18           | 15        |
| E979EFN-CAR | ¾          | 19           | 10        |
| ☛ C979EFN   | ¾          | 18           | 15        |
| E979FFN     | 1          | 19           | 15        |
| ☛ C979FFN   | 1          | 18           | 15        |

☛ Canada Only

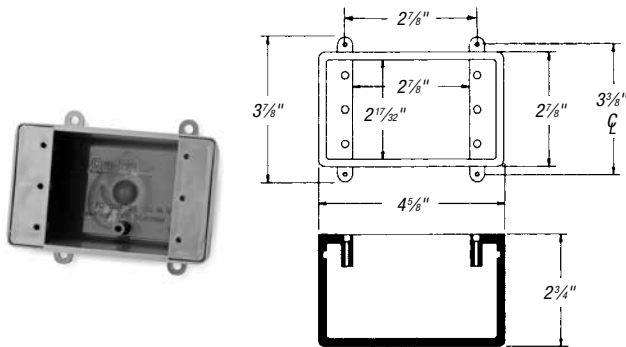
## Switch and Junction Boxes

### Single-Gang FD Deep Device Boxes

SP®  
LR31146  
Where  
noted  
by

UL  
LISTED  
E11461

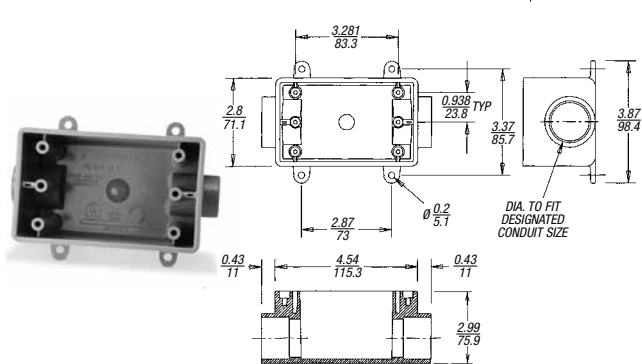
#### Type FD



- For terminations where hub requirements vary according to application — hubs easily made with flared wood bit or hole saw
- All sizes take standard covers and accessories or devices
- Integral mounting feet provide easy mounting

| CAT. NO.      | SIZE (IN.) | VOL. CU. IN. | STD. CTN. |
|---------------|------------|--------------|-----------|
| E9801         | N/A        | 25           | 10        |
| ☛ CE9801-CTN  | N/A        | 25           | 10        |
| ☛ C9801-347   | N/A        | 25           | 10        |
| ☛ Canada Only |            |              |           |

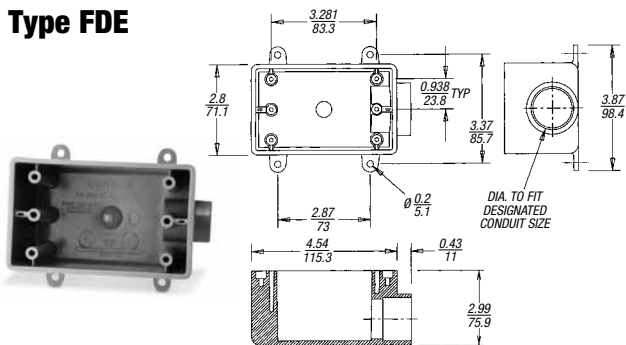
#### Type FDC



- For through terminations where large devices or additional wiring capacity is required
- All sizes take standard covers and accessories or devices
- Integral mounting feet provide easy mounting

| CAT. NO.      | SIZE (IN.) | VOL. CU. IN. | STD. CTN. |
|---------------|------------|--------------|-----------|
| E9811DN       | 1/2        | 25           | 10        |
| ☛ C9811DN     | 1/2        | 25           | 10        |
| E9811EN       | 3/4        | 25           | 10        |
| ☛ C9811EN     | 3/4        | 25           | 10        |
| E9811FN       | 1          | 25           | 10        |
| ☛ C9811FN     | 1          | 25           | 10        |
| ☛ Canada Only |            |              |           |

#### Type FDE



- For dead-end terminations where large devices or additional wiring capacity is required
- All sizes take standard covers and accessories or devices
- Integral mounting feet provide easy mounting

| CAT. NO.      | SIZE (IN.) | VOL. CU. IN. | STD. CTN. |
|---------------|------------|--------------|-----------|
| E9801DN       | 1/2        | 25           | 10        |
| ☛ C9801DN     | 1/2        | 25           | 10        |
| E9801EN       | 3/4        | 25           | 10        |
| ☛ C9801EN     | 3/4        | 25           | 10        |
| E9801FN       | 1          | 25           | 10        |
| ☛ C9801FN     | 1          | 25           | 10        |
| ☛ Canada Only |            |              |           |

Conduit & Fittings — Carlon® PVC Elbows, Conduit & Fittings

## Switch and Junction Boxes



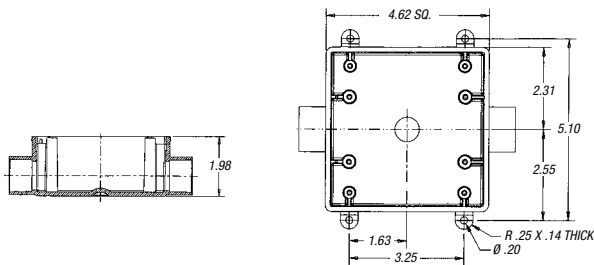
LR31146  
Where noted by



LISTED  
E11461

### Two-Gang FS Boxes

- For through terminations where two devices or additional wiring capacity is required
- All sizes take standard covers and accessories or devices
- Integral mounting feet provide easy mounting

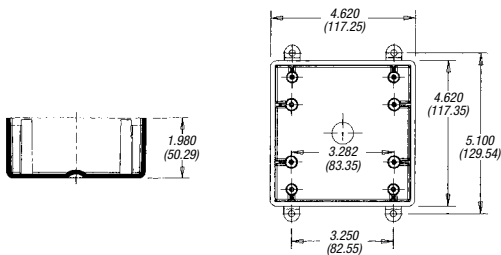
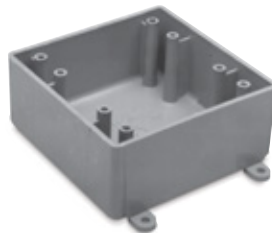


#### Type 2FSC

| CAT. NO.      | SIZE (IN.) | VOL. CU. IN. | STD. CTN. |
|---------------|------------|--------------|-----------|
| E9812D        | ½          | 32           | 10        |
| ☛ CE9812D-CTN | ½          | 32           | 10        |
| E9812E        | ¾          | 32           | 10        |
| ☛ CE9812E-CTN | ¾          | 32           | 10        |
| E9812F        | 1          | 32           | 10        |
| ☛ C9812F      | 1          | 32           | 10        |

☛ Canada Only

- For terminations where hub requirements vary according to application — hubs easily made with flared wood bit or hole saw
- All sizes take standard covers and accessories or devices
- Integral mounting feet provide easy mounting

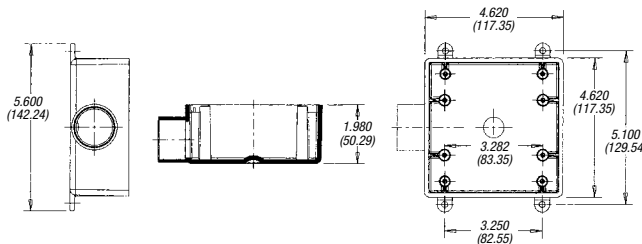


#### Type FS

| CAT. NO. | SIZE (IN.) | VOL. CU. IN. | STD. CTN. |
|----------|------------|--------------|-----------|
| E9802    | N/A        | 32           | 10        |
| ☛ CE9802 | N/A        | 32           | 10        |

☛ Canada Only

- For dead-end terminations where two devices or additional wiring capacity is required
- All sizes take standard covers and accessories or devices
- Integral mounting feet provide easy mounting



#### Type 2FSE

| CAT. NO.      | SIZE (IN.) | VOL. CU. IN. | STD. CTN. |
|---------------|------------|--------------|-----------|
| E9802D        | ½          | 32           | 10        |
| ☛ CE9802D-CTN | ½          | 32           | 10        |
| E9802E        | ¾          | 32           | 10        |
| ☛ CE9802E-CTN | ¾          | 32           | 10        |
| E9802F        | 1          | 32           | 10        |
| C9802F        | 1          | 32           | 1         |

☛ Canada Only

### Blank Covers

- Fits Carlon® single-gang FS boxes
- Supplied with stainless steel mounting screws and gasket



#### Single-Gang

| CAT. NO.   | COLOR | STD. CTN | STD. WT. (LBS) |
|------------|-------|----------|----------------|
| E980CN-CAR | Gray  | 12       | 1.60           |
| E980CM-CAR | White | 12       | 1.60           |

- Fits Carlon® two-gang FS boxes, other non-metallic and metallic FS boxes
- Supplied with stainless steel mounting screws and gasket



#### Two-Gang

| CAT. NO.    | COLOR | STD. CTN | STD. WT. (LBS) |
|-------------|-------|----------|----------------|
| E9802CN-CAR | Gray  | 10       | 2.17           |