

PUSH PULL®

Tub Trim Kits

SPECIFICATIONS

FEATURES:

- Theft-resistant, brass stopper
- Metal strainer body, 1.25" deep
- Metal overflow plate, 3.375" wide
- Designed for heavy-duty use in hotels, motels, and rental property
- Replaceable, drip-proof Buna-N-Seal
- Adapter bar for changing from two to one-hole overflow plate

PATENTS:

- See <http://watcomfg.com/Watco/patents/> for Details

OPERATION:

- Push down to close. Pull to open. No stopper rotation required.



Finishes Available in the PUSH PULL® Series:

Trim Kits:	38080	38090 38490	38190 38290 38390	38212	38296	38420 38433
CP - Chrome Plated	•	•	•	•	•	•
AB - Antique Brass	•	•	•	•		
AP - Aged Pewter	•		•			
BB - Brushed Bronze	•		•			
BN - Brushed Nickel	•		•	•		
BO - Bone	•	•	•	•		
BS - Biscuit	•		•			
BZ - Oil-Rubbed Bronze	•		•	•		
CB - Chrome Brushed	•		•	•		
NP - Nickel Polished	•		•			
PB - Polished Brass	•	•	•	•	•	
WH - White	•	•	•	•		
WI - Wrought Iron	•		•			

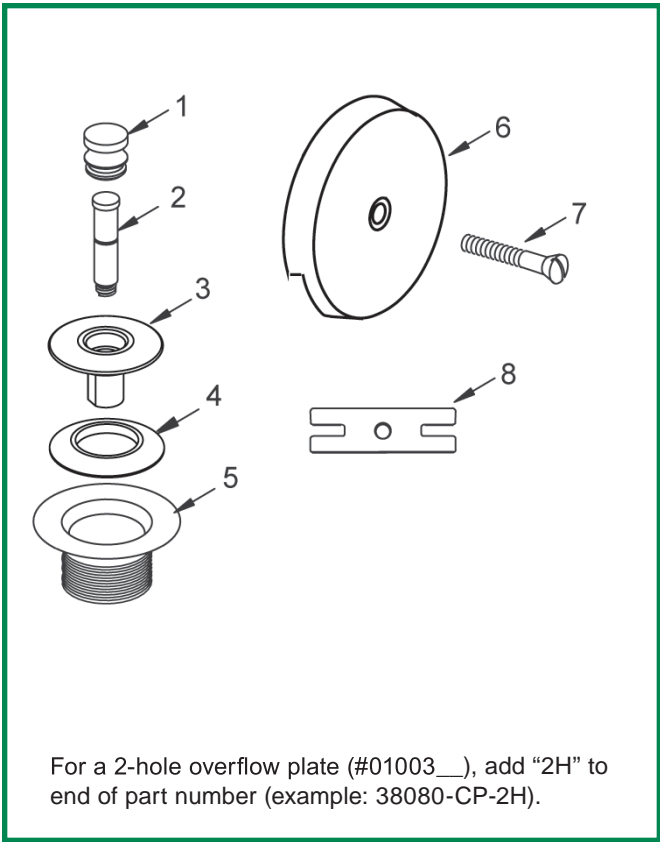
See price list for complete item numbers and available options.

When ordering, please specify complete item number and any applicable option codes.



For More Information Contact:
WATCO Manufacturing Company
 1220 South Powell Road
 Independence, MO 64057-2724
 Ph. 816-796-3900 • FAX 816-796-0875
www.watcomfg.com

PUSH PULL® TRIM KIT PARTS LIST



Item	Part #	Description
WITH COARSE-THREAD BODY:		
1.	01010__*	Knob, Brass
2.	11510.....	Post (11505) and Friction Ring (11532), 3/8"
3.	01013__*	PUSH PULL® Stopper, Brass
4.	11507	Seal, 1 ¹ / ₁₆ " dia.
5.	01016__*	Strainer Body, Brass
6.	01002__*	1-Hole Overflow Plate, metal
7.	01024__*	Overflow Plate Screw, 2.25"
8.	11641	Adapter Bar
WITH FINE-THREAD BODY:		
1.	01010__*	Knob, Brass
2.	11510.....	Post (11505) and Friction Ring (11532), 3/8"
3.	01013__*	PUSH PULL® Stopper, Brass
4.	11507	Seal, 1 ¹ / ₁₆ " dia.
5.	01022__*	Strainer Body, Brass
6.	01002__*	1-Hole Overflow Plate, metal
7.	01024__*	Overflow Plate Screw, 2.25"
8.	11641	Adapter Bar
*Please indicate desired finish.		