

Model 141/161

Operator's Manual



⚠ WARNING!

Read this Operator's Manual carefully before using this tool. Failure to understand and follow the contents of this manual may result in electrical shock, fire and/or serious personal injury.

Table of Contents

Safety Symbols	2
General Safety Information	
Work Area Safety.....	2
Electrical Safety.....	2
Personal Safety.....	2
Tool Use And Care.....	3
Service.....	3
Receding Geared Threaders Safety Warnings	3
Description, Specifications and Standard Equipment	
Description.....	4
Specifications.....	4
Standard Equipment.....	5
Pre-Operation Inspection	5
Adjusting the Geared Threaders	
Pipe Size Adjustment.....	5
Thread Size Adjustment.....	6
Adjusting for Straight or Tapered Threads.....	6
Changing Dies.....	6
Set-Up and Operation	7
Stationary Pipe Set-Up	7
Threading with D-1440 Ratchet.....	8
Threading with 840A Universal Driveshaft (Rear Mount).....	9
Rotating Pipe (Front Mount/Close Coupled) Set-Up	10
Setting Up 300/300A Power Drive Close Coupled to 141/161 Geared Threader.....	10
Setting up 535, 300 Compact or 1233 Close coupled to 141 Geared Threader.....	11
Setting up 535A Close Coupled to 141 Geared Threader.....	12
Threading with a Close Coupled Geared Threader (Front Mount).....	13
Inspecting Threads	14
Maintenance Instructions	
Cleaning.....	15
Lubrication.....	15
Accessories	15
Thread Cutting Oil Information	15
Machine Storage	15
Service And Repair	15
Disposal	15
Troubleshooting	16
Lifetime Warranty	Back Cover

*Original Instructions - English

Receding Geared Threaders


Model 141/161





RIDGID[®]


Safety Symbols


In this operator's manual and on the product, safety symbols and signal words are used to communicate important safety information. This section is provided to improve understanding of these signal words and symbols.


 This is the safety alert symbol. It is used to alert you to potential personal injury hazards. Obey all safety messages that follow this symbol to avoid possible injury or death.


 **DANGER** DANGER indicates a hazardous situation which, if not avoided, will result in death or serious injury.

 **WARNING** WARNING indicates a hazardous situation which, if not avoided, could result in death or serious injury.


 **CAUTION** CAUTION indicates a hazardous situation which, if not avoided, could result in minor or moderate injury.


 **NOTICE** NOTICE indicates information that relates to the protection of property.


 This symbol means read the operator's manual carefully before using the equipment. The operator's manual contains important information on the safe and proper operation of the equipment.

 This symbol indicates the risk of fingers, legs, clothes and other objects catching and/or wrapping on rotating shafts causing crushing or striking injuries.

 This symbol indicates the risk of machine tipping, causing striking or crushing injuries.

 This symbol means do not wear gloves while operating this machine to reduce the risk of entanglement.

 This symbol indicates the risk of fingers, hands, clothes and other objects catching on or between gears or other rotating parts and causing crushing injuries.

 This symbol indicates the risk of fingers, legs, clothes and other objects catching and/or wrapping on rotating shafts causing crushing or striking injuries.

General Safety Information

WARNING

Read all safety warnings and instructions. Failure to follow the warnings and instructions may result in electric shock, fire and/or serious injury.

SAVE ALL WARNINGS AND INSTRUCTIONS FOR FUTURE REFERENCE!

Work Area Safety

- **Keep your work area clean and well lit.** Cluttered or dark areas invite accidents.
- **Do not operate tools in explosive atmospheres, such as in the presence of flammable liquids, gases, or dust.** Tools create sparks which may ignite the dust or fumes.
- **Keep children and by-standers away while operating a power tool.** Distractions can cause you to lose control.

Electrical Safety

- **Power tool plugs must match the outlet. Never modify the plug in any way. Do not use any adapter plugs with earthed (grounded) power tools.**

Unmodified plugs and matching outlets will reduce risk of electric shock.

- **Avoid body contact with earthed or grounded surfaces such as pipes, radiators, ranges and refrigerators.** There is an increased risk of electrical shock if your body is earthed or grounded.
- **Do not abuse the cord. Never use the cord for carrying, pulling or unplugging the power tool. Keep cord away from heat, oil, sharp edges or moving parts.** Damaged or entangled cords increase the risk of electric shock.
- **When operating a tool outdoors, use an extension cord suitable for outdoor use.** Use of a cord suitable for outdoor use reduces the risk of electric shock.
- **If operating a power tool in a damp location is unavoidable, use a ground fault circuit interrupter (GFCI) protected supply.** Use of a GFCI reduces the risk of electric shock.

Personal Safety

- **Stay alert, watch what you are doing and use common sense when operating equipment. Do not use a tool while you are tired or under the influence of**

drugs, alcohol, or medication. A moment of inattention while operating equipment may result in serious personal injury.

- **Dress properly. Do not wear loose clothing or jewelry. Keep your hair, clothing, and gloves away from moving parts.** Loose clothes, jewelry, or long hair can be caught in moving parts.
- **Remove any adjusting key or wrench before turning the power tool ON.** A wrench or a key left attached to a rotating part of the power tool may result in personal injury.
- **Do not overreach. Keep proper footing and balance at all times.** This enables better control of the equipment in unexpected situations.
- **Use personal protective equipment. Always wear eye protection.** Protective equipment such as dust mask, non-skid safety shoes, hard hat, or hearing protection used for appropriate conditions will reduce personal injuries.

Tool Use And Care

- **Do not force the tool. Use the correct tool for your application.** The correct tool will do the job better and safer at the rate for which it is designed.
- **Do not use tool if the switch does not turn it ON and OFF.** Any tool that cannot be controlled with the switch is dangerous and must be repaired.
- **Disconnect the plug from the power source before making any adjustments, changing accessories, or storing the tool.** Such preventive safety measures reduce the risk of starting the tool accidentally.
- **Store idle power tools out of the reach of children and do not allow persons unfamiliar with the power tool or these instructions to operate the tool.** Tools are dangerous in the hands of untrained users.
- **Maintain tools. Check for misalignment or binding of moving parts, breakage of parts and any other condition that may affect the power tool's operation. If damaged, have the tool repaired before use.** Many accidents are caused by poorly maintained power tools.
- **Keep cutting tools sharp and clean.** Properly maintained cutting tools with sharp cutting edges are less likely to bind and are easier to control.
- **Use only accessories that are recommended by the manufacturer for your model.** Accessories that may be suitable for one tool may become hazardous when used on another tool.

Service

- **Tool service must be performed only by qualified repair personnel.** Service or maintenance performed by unqualified personnel could result in a risk of injury.
- **When servicing a tool, use only identical replacement parts. Follow instructions in the Maintenance section of this manual.** Use of unauthorized parts or failure to follow Maintenance Instructions may create a risk of electrical shock or injury.

Specific Safety Information

WARNING

This section contains important safety information that is specific to this tool.

Read these precautions carefully before using Model 141/161 Receding Geared Threaders to reduce the risk of electrical shock or other serious injury.

SAVE THESE INSTRUCTIONS!

Keep this manual with machine for use by the operator.

Receding Geared Threaders Safety

- **Do not wear gloves or loose clothing when operating machine.** Keep sleeves and jackets buttoned. Do not reach across the machine or pipe. Clothing can be caught by the pipe or machine resulting in entanglement.
- **Keep hands away from rotating pipe and fittings. Stop the machine before wiping pipe threads or screwing on fittings. Allow the machine to come to a complete stop before touching the pipe.** This practice will reduce the chance of entanglement in rotating parts.
- **Guard or barricade minimum of one (1) meter around the area when work piece extends beyond machine.** A guard or barricade that provides a clearance around the work piece will reduce the risk of entanglement.
- **One person must control the work process, threading machine operation and foot switch.** Only the operator should be in the work area when the machine is running. This helps reduce the risk of injury.
- **Secure machine to bench or stand. Support long heavy pipe with pipe supports.** This practice will reduce the risk of tipping.
- **Keep floor dry and free of slippery materials such as oil.** Slippery floors invite accidents.

- **Follow instructions on proper use of this machine. Do not use for other purposes such as drilling holes or turning winches.** Other uses or modifying this power drive for other applications may increase the risk of serious injury.
- **Read and understand the instructions and warnings for all equipment being used including Threading Machines and Power Drives before operating the Geared Threaders.** Failure to follow all warnings and instructions may result in property damage and/or serious injury.
- **Do not use this machine if the foot switch is broken or missing.** Foot switch is a safety device that provides better control by letting you shut off the motor in various emergency situations by removing your foot from the switch. For example: if clothing should become caught in the machine, the high torque will continue pulling you into the machine. The clothing itself can bind around your arm or other body parts with enough force to crush or break bones.

The EC Declaration of Conformity (890-011-320.10) will accompany this manual as a separate booklet when required.

If you have any question concerning this RIDGID® product:

- Contact your local RIDGID distributor.
- Visit www.RIDGID.com to find your local RIDGID contact point.
- Contact RIDGID Technical Services Department at rttechservices@emerson.com, or in the U.S. and Canada call (800) 519-3456.

Description, Specifications and Standard Equipment

Description

The RIDGID® Model 141 and 161 Receding Geared Threaders are designed to thread 2½" to 4" and 4" to 6" pipe, respectively. A cam type workholder is used to grip the pipe while the die head cuts the threads. A clutch is included to prevent jamming at the end of the thread. The threaders can be used for both tapered and straight right hand threads with a simple adjustment. See specifications for NPT and BSPT versions.

Specifications

Model No.	Thread Type	Threads Per Inch	Nominal Capacity		Weight	
			inch	mm	lb	kg
141	NPT	8	2½ to 4	65 to 100	93	42.2
141	BSPT	11	2½ to 4	65 to 100	93	42.2
161	NPT	8	4 to 6	100 to 150	158	71.7

The 141 and 161 can be powered in a variety of ways, including operation by hand or with various RIDGID Threading Machines and Power Drives.

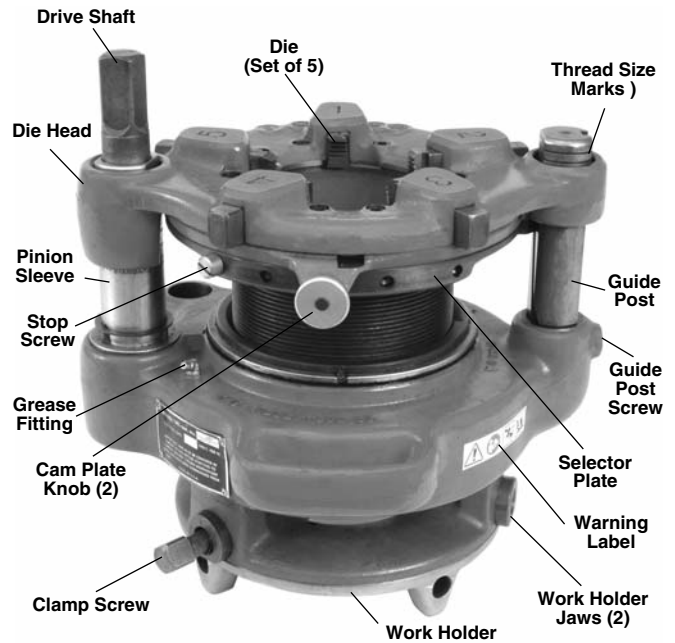


Figure 1 – Model 141 Receding Geared Threader

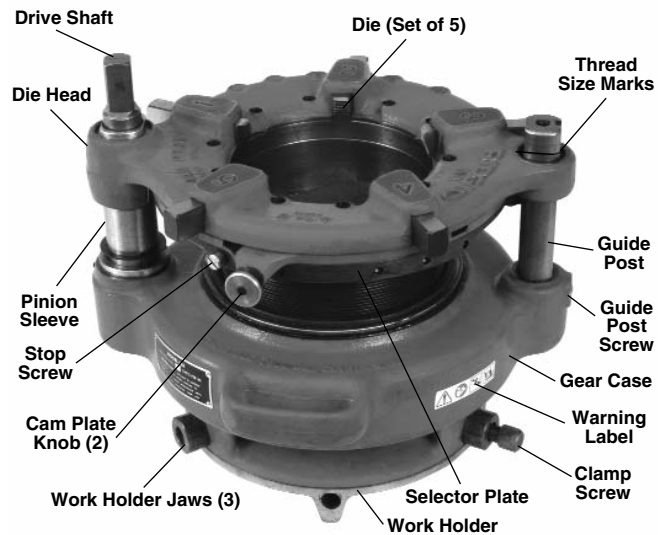


Figure 2 – Model 161 Receding Geared Threader

Standard Equipment

The Model 141/161 Receding Geared Threaders come with the following items:

- One set of High Speed Dies
- Wrench for Workholder Clamp
- Operator's Manual

NOTICE Selection of appropriate materials and joining methods is the responsibility of the system designer and/or installer. Before any installation is attempted, careful evaluation of the specific service environment, including chemical environment and service temperature should be completed.

Pre-Operation Inspection

⚠ WARNING

Before each use, inspect your geared threader and correct any problems to reduce the risk of serious injury from electrical shock, crushing injuries and other causes and prevent machine damage.

1. If the geared threader is attached to a threading machine or a power drive, make sure the equipment is unplugged and the directional switch is set to OFF position.
2. Clean any oil, grease or dirt from the geared threader, including the handles and controls. This aids inspection and helps prevent the tool or control from slipping from your grip. If necessary, clean the workholder jaws with a wire brush. Remove metal shavings and chips from the die head.
3. Inspect the geared threaders for the following items:
 - Proper assembly and completeness.
 - Broken, damaged, missing, misarranged or binding parts.
 - Presence and readability of warning label (see Figures 1 and 2).
 - Any other condition that may prevent the safe and normal operation.

If any problems are found, do not use the geared threader until the problems have been repaired.

4. Inspect the cutting edges of dies for deformation, chips or other issues. Dull or damaged cutting tools increase the amount of force required, produce poor quality threads and increase the risk of injury.
5. If necessary, lubricate the geared threader per the maintenance instructions. Wipe any excess lubricant from the equipment.

6. Inspect and maintain any other equipment being used per its instructions to make sure it is functioning properly.

If using a threading machine or power drive, make sure that the foot switch is attached to the machine and that it and the cord are in good condition. Press the foot switch pedal and confirm that it cycles smoothly and does not stick.

Do not use threading machines or power drives that do not function properly.

Adjusting the Geared Threaders

⚠ WARNING

Adjust the geared threaders according to these procedures to reduce the risk of injury and to help prevent equipment damage.

The Receding Geared Threaders can be adjusted for different thread size and types. Model 141 Threader can thread 2½", 3", 3½" and 4" pipes with NPT or BSPT threads, while Model 161 Threader can thread 4", 4½", 5" and 6" NPT threads. The threaders can also be adjusted for tapered or straight threads.

Always cut a test thread to confirm proper thread size after adjusting the geared threaders.

Pipe Size Adjustment

1. Place the geared threader with drive shaft/die head up.
2. Pull out the cam plate knobs and rotate cam plate to correct size for the application as marked on top of the die head. Release knobs to lock in place.

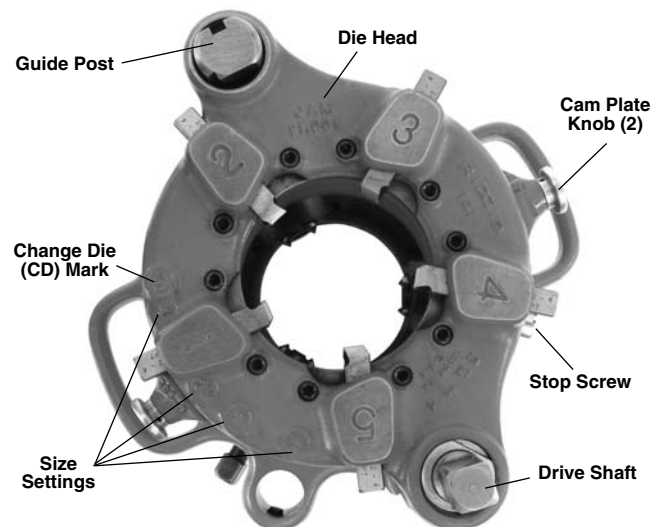


Figure 3 – Geared Threader With Drive Shaft Up (Model 141 shown)

Thread Size Adjustment

With the drive shaft/die head of geared threader up, turn the drive shaft or gear case by hand. Align the die head with appropriate starting point marks on the guide post or pinion sleeve (see Figure 4). The thread size needs to be set before every thread to insure proper thread size.

- Standard Size Thread – either set bottom of the die head flush with the red standard line on the pinion sleeve, or set the upper surface of die head flush with the centerline on the guide post.
- Oversize thread (larger diameter, less turns of fitting engagement) – set upper surface of the die head flush with the bottom line on the guide post. That line is marked “2T OVER”.
- Undersize thread (smaller diameter, more turns of fitting engagement) – set upper surface of the die head flush with the top line on the guide post. That line is marked “2T UNDER”.

Threader can be adjusted to any point in between as desired.

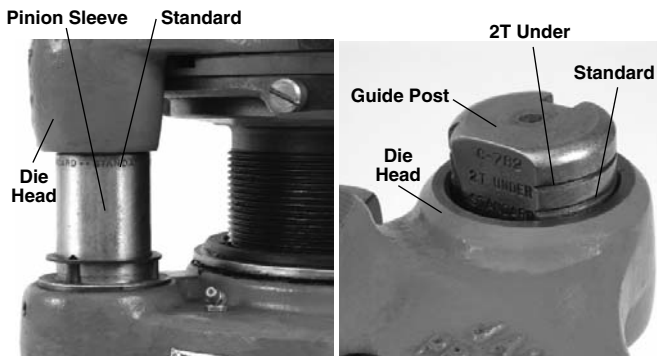


Figure 4 – Thread Size Adjustment – Close-Ups of Pinion Sleeve and Guide Post Markings

Adjusting for Straight or Tapered Threads

Geared threaders are factory set to make tapered threads (NPT or BSPT), and can be adjusted to cut straight threads (NPSM or BSPP). Tapered threads are made with the guide block engaged in the angled slot in the guide post. Straight threads are made with the guide block engaged in the straight slot in the guide post.

1. Adjust the geared threader to cut a standard size thread (see above).
2. Remove screw from gear case at the base of guide post.
3. Pull the guide post up until guide block (attached to selector plate) is disengaged from the slot in the guide post.

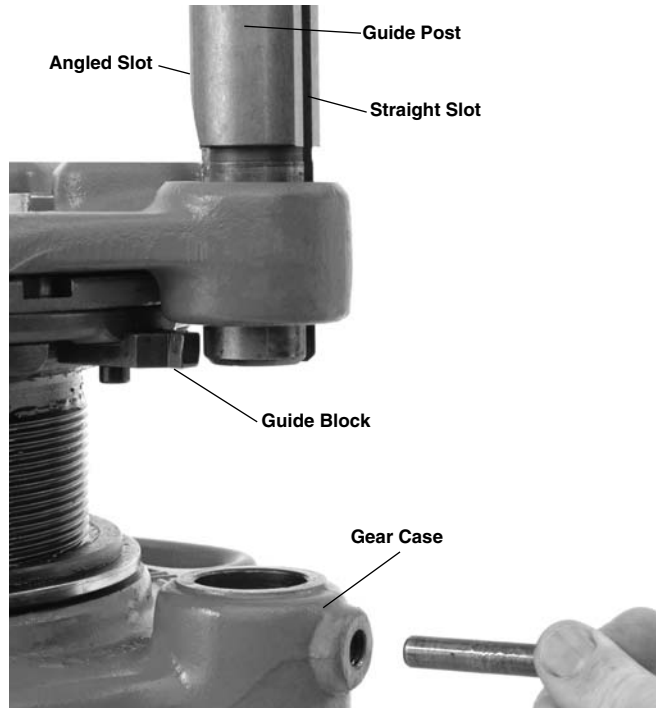


Figure 5 – Adjusting For Straight or Tapered Threads

4. Turn the guide post until appropriate slot (angled for tapered threads, straight for straight threads) faces inward and is aligned with the guide block.
5. Engage guide block in the guide post slot and push the guide post down into the gear case.
6. Reinstall the screw in the gear case at the base of guide post.

Changing Dies

Geared threaders are marked with the number of threads per inch on the nameplate. The threaded barrel for an NPT geared threader has 8 threads per inch, while a BSPT geared threader has 11 threads per inch.

NOTICE Do not use BSPT dies in NPT threader and vice versa. This will cause incorrect threads and may damage dies and/or geared threaders

1. Place the geared threader with drive shaft/die head up.
2. Remove stop screw from the selector plate (Figure 3).
3. Pull cam plate knobs out and rotate cam plate to “CD” mark on top of the die head.
4. Remove the existing dies from the die head.
5. Insert correct dies for the application into the slots. The numbers on the dies (1-5) must correspond with the

numbers over the die head slot. Fully insert the die with the numbered side up.

- Pull out the cam plate knobs and rotate cam plate to correct size for the application as marked on the die head. Release knobs to lock in place.
- Replace the stop screw in the selector plate.

Set-Up and Operation

⚠ WARNING



Always wear eye protection. Wear steel toe footwear to help protect from tipping tools and falling pipe.

Do not wear gloves or loose clothing. Keep sleeves and jackets buttoned. Loose clothing can become entangled in rotating parts and cause crushing and striking injuries.

Keep hands away from rotating pipe and parts. Do not reach across the machine or pipe. To prevent entanglement, crushing or striking injuries, allow equipment to come to a complete stop before touching.

Properly secure the geared threaders to the threading machine/power drive and pipe. Improperly secured tools can slip and fall and cause striking and crushing injuries.

Do not use a power drive or threading machine without a properly operating foot switch. Never block a foot switch in the "ON" position. A foot switch provides better control by letting you shut off the machine motor by removing your foot. If entanglement should occur and power is maintained to the motor, you will be pulled into the machine. This machine has high torque and can cause clothing to bind around your arm or other body parts with enough force to crush or break bones or cause striking or other injuries.

One person must control both the work process and the foot switch. Do not operate with more than one person. In case of entanglement, the operator must be in control of the foot switch.

Set up and operate the geared threader according to these procedures to reduce the risk of injury from machine tipping, entanglement, crushing, striking and other causes, and to help prevent equipment damage.

Geared threaders can be used a variety of ways, with the primary difference being whether the pipe is stationary or turns during threading.

If the pipe is held stationary (such as in a pipe vise), the die head end of the geared threader rotates around the pipe during threading. Threading can be done by hand with a D-1440 ratchet or by using an 840A Universal Driveshaft and a threading machine. Use of the 840A driveshaft is often referred to as "rear mount".

Alternately, geared threaders with the proper accessories can be driven by a variety of threading machines. In these cases, the die head end of the geared threader is stationary and the workholder and pipe rotate. This method is often referred to as "front mount" or "close coupled".

Stationary Pipe Set-Up

- Locate a work area that has:
 - Adequate lighting.
 - Clear level, stable, dry location for all of the equipment and the operator.
- Clean the work area before setting up any equipment. Wipe up any oils or liquids.
- Inspect the pipe to be threaded and associated fittings and confirm that the 141 or 161 Geared Threader is a correct tool for the job. *See the Specifications.*

Threading equipment for other applications can be found in the RIDGID catalog on line at www.RIDGID.com or www.RIDGID.eu.
- Confirm that equipment to be used has been properly inspected.
- Make sure that pipe to be threaded is solidly mounted and stable. Pipe and mounting must be able to withstand the weight of the geared threader and the force and torque required for threading without moving or turning. When using a pipe vise, make sure that it is properly sized and secured to prevent tipping during use. Tristands must be bolted to the floor. For longer lengths of pipe, use appropriate pipe stands to support extra length.
- If using with 840A Universal driveshaft, the centerline of the pipe must be at same level as the centerline of threading machine spindle.
- Confirm that the pipe end is squarely cut and reamed/deburred. Improperly prepared pipe can chip dies, increase threading force and give improper threads.
- Properly adjust the geared threader for the work to be done. Make sure that the die head is correctly backed off to make an appropriate sized thread. *See "Adjusting Geared Threaders".*
- Use appropriate equipment to lift the geared threader and place over the end of the pipe orienting one jaw

of work-holder upward. Lifting by hand must be done by at least two people utilizing the carrying handles. Be aware that the 141 weighs 93 pounds and the 161 weighs 158 pounds. Carefully center end of pipe in throat of the dies and turn workholder scroll to tighten jaws on pipe. The end of the socket wrench can be inserted in the holes of scroll for tightening. Do not strike the scroll to tighten - this can damage the scroll. Use socket wrench to tighten clamp screw in the jaw. Make sure that the geared threader is secure to the pipe and is stable (*Figure 6*).

- Place 418 Oiler bucket under the geared threader, making sure that it has enough clean, RIDGID Thread Cutting Oil.

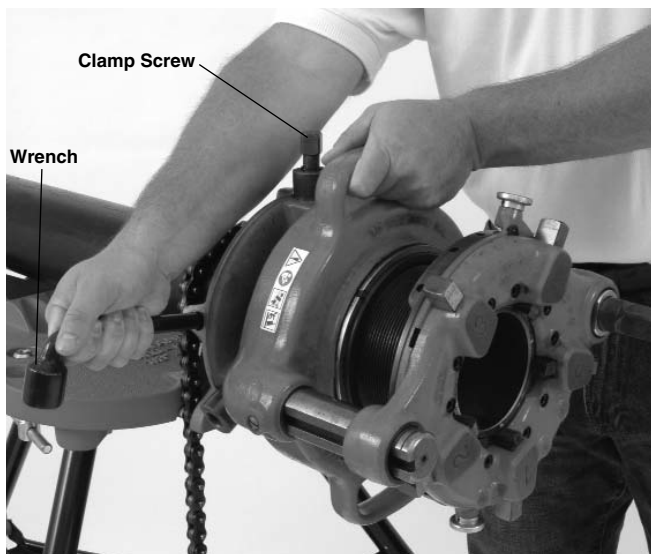


Figure 6 – Tightening Workholder

Threading with D-1440 Ratchet

- Make sure the geared threader is properly set up for stationary pipe operation.
- Place the D-1440 Ratchet on square end of the drive shaft.
- Assume a proper operating stance. Make sure that your footing is good and you are well balanced. For maximum leverage, you will want to use your body weight on the handle of the ratchet. Make sure the set up is stable.
- Use the ratchet to turn the driveshaft. Rotation should be clockwise as viewed from the end of the pipe. Flood the dies with oil while threading to lower threading torque, improve thread quality and increase die life.



Figure 7 – D-1440 Ratchet Operation

- Continue ratcheting until the top edge of the die head is flush with the red stop line on the pinion sleeve (*see Figure 8*).

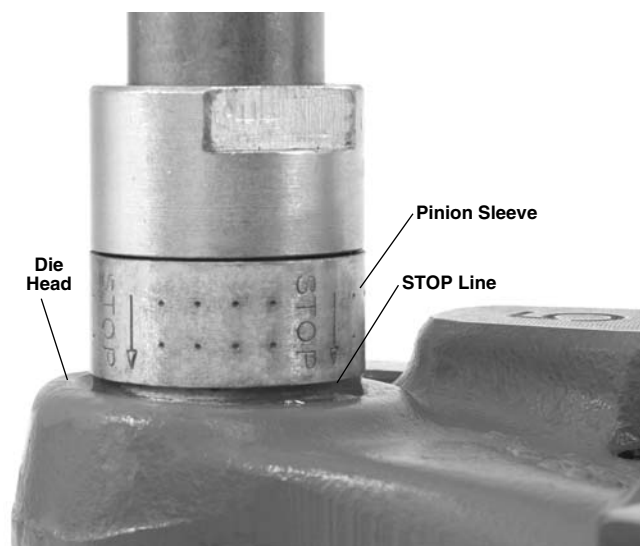


Figure 8 – Thread Complete – Top of Die Head Flush With STOP Line

6. Remove the ratchet and turn over. Rotate the drive-shaft counterclockwise to back the die head up approximately one turn.
7. Pull out cam plate knobs and rotate cam plate towards the "CD" mark on top of the die head to retract the dies. This prevents the dies from dragging while returning the geared threader to the start position.
8. Rotate drive shaft counterclockwise to back the die head to the appropriate starting point for the next thread.
9. Carefully remove the geared threader from the pipe and inspect threads.

Threading with 840A Universal Driveshaft (Rear Mount)

Using the 840A Universal Driveshaft, geared threaders can be operated with 300/300A Power Drive, 535 and 1224 Threading Machines.

Do not attempt to use any other threading machine to drive the geared threaders with 840A universal driveshaft. Do not use auto-chucking threading machine (like 535A). Do not use machines that do not have reverse rotation.

1. Make sure the geared threader is properly set up for stationary pipe operation.
2. Make sure that the threading machine is unplugged and the FOR/OFF/REV switch set to OFF. Follow all warnings and instructions for the threading machine
3. Locate the threading machine so that the centerline of the spindle lines up with the centerline of the pipe to be threaded. The rear chuck of the threading machine should be facing the pipe end to be threaded.



Figure 9 – 840A Driveshaft Guard and Warning

4. Insert the hex shaped end of the 840A Driveshaft into the rear centering head of the threading machine. Securely tighten the rear centering head and the front chuck onto the flats of the universal driveshaft.

Do not insert from the front (carriage) end of the machine.

5. Align and slip the square socket of the 840A driveshaft over the geared threader driveshaft. Tighten two setscrews securely to hold in place. Make sure that the driveshaft universal joint guards are in place and in good condition (see Figure 9).
6. Inspect the position of the sliding shank in the drive-shaft. It should be approximately centered to allow movement in either direction. If needed, slightly adjust the position of the threading machine. The centerline of the threading machine should line up with centerline of the pipe. If they are not aligned, this can cause tipping of the threading machine.

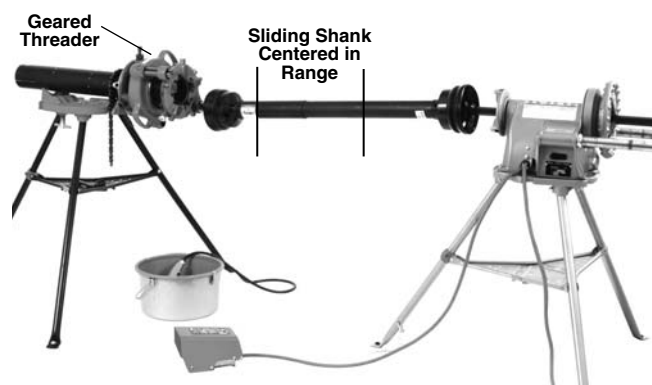


Figure 10 – Set-Up With Universal Driveshaft

7. If using a 300/300A Power Drive, secure it to the floor to prevent tipping.
8. Set up guards or barricades to create a minimum of one meter (three feet) of clearance around the equipment and pipe. This helps to prevent non-operators from accidentally contacting the machine or pipe and causing tipping or becoming entangled in the rotating parts.
9. Place the foot switch to allow a proper operating position. With dry hands plug in the threading machine and place the threading machine switch in REV position.
10. Assume a proper operating position to help maintain control of the machine and process (see Figure 11).
 - Stand on the FOR/OFF/REV switch side of the threading machine with access to the switch.
 - Be sure that you can control the foot switch. Do not step on foot switch yet.
 - Be sure that you have good balance and do not have to overreach. Make sure that you are clear of the driveshaft.

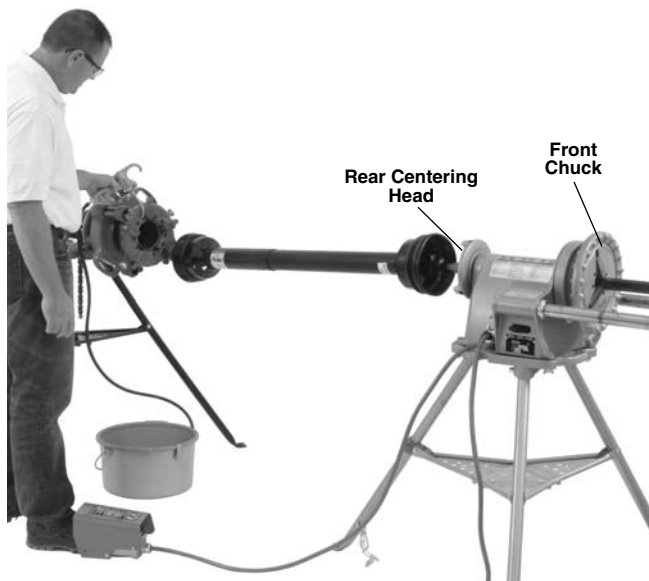


Figure 11 – Threading With Universal Driveshaft

11. Press the foot switch to start threading. Flood the dies with oil to lower threading torque, improve thread quality and increase die life. The geared threader drive shaft will rotate around the pipe while threading, so be prepared for the movement of the driveshaft. If any problems are experienced step off of foot switch.
12. Continue threading until the edge of the die head is flush with the red stop line on the pinion sleeve (*Figure 8*). Release foot switch. If threading is continued past the red stop line, the pinion shaft will disengage to prevent jamming. Do not continue to operate with the pinion shaft disengaged – over time this can cause tool damage.
13. Put the FOR/OFF/REV switch in the FOR position. Resume operating position and step on foot switch to back die head off approximately one turn. Release foot switch and place FOR/OFF/REV switch in OFF position.
14. Pull cam plate knobs out and rotate cam plate towards the “CD” mark on top of the die head to retract the dies. This prevents the dies from dragging while returning the geared threader to the start position.
15. Put the FOR/OFF/REV switch in the FOR position. Resume operating position and step on foot switch to rotate the die head to the appropriate starting point for the next thread.
16. Remove foot from the foot switch. Place the FOR/OFF/REV switch in the OFF position and unplug the threading machine.

NOTICE If the workholder is unscrewed from the threaded barrel, DO NOT try to re-engage the thread under power – this could damage the threader. Remove the geared threader from the pipe and re-engage by hand.

Carefully remove the universal driveshaft and geared threader from the pipe and inspect thread.

Rotating Pipe (Front Mount/Close Coupled) Set-Up

1. Locate a work area that has:
 - Adequate lighting.
 - Clear level, stable, dry location for all of the equipment and the operator.
2. Clean the work area before setting up any equipment. Wipe up any oils or liquids.
3. Inspect the pipe to be threaded and associated fittings and confirm that the 141 or 161 Geared Threader is a correct tool for the job. *See the Specifications.*

Threading equipment for other applications can be found in the RIDGID catalog on line at www.RIDGID.com or www.RIDGID.eu.
4. Confirm that equipment to be used has been properly inspected.
5. Set up the machine in clear, level space selected for the work area following the threading machine instructions. Check that the machine and stand are stable. Make sure machine is unplugged and FOR/OFF/REV switch is in the OFF position. If using with the 300/300A Power Drive, remove carriage, die head, reamer and cutter from the support bars. If using a threading machine, remove the die head from carriage, place the cutter and reamer up and away, and move the carriage away from the chuck.
6. Fully open the front chuck and the rear centering device on the machine.
7. Properly adjust the geared threader for the work to be done. Make sure that the die head is correctly backed off to make an appropriate sized thread. *See “Adjusting Geared Threaders”.*
8. With the drive shaft of the geared threader up, attach the 844 Drive Bar and securely tighten the two set-screws to retain in place (*See Figure 15*). For 535A machine, do not attach drive bar at this time.

Setting Up 300/300A Power Drive Close Coupled to 141/161 Geared Threader

1. Loosen the retaining ring assembly on the support bars

and fully retract the support bars into the power drive housing.

2. Use appropriate equipment to lift the geared threader and place over the end of the pipe orienting one jaw of work-holder upward. Lifting by hand must be done by at least two people utilizing the carrying handles. Be aware that the 141 weighs 93 pounds (42 kg) and the 161 weighs 158 pounds (72 kg). Leave approximately $\frac{3}{4}$ " (19 mm) of the drive bar exposed in front of the chuck to allow space for oiling (Figure 12). Securely tighten chuck jaws into three "V" shaped grooves in the head of drive bar. Close the rear centering head onto drive bar. Make sure that the geared threader and power drive are stable and secure.

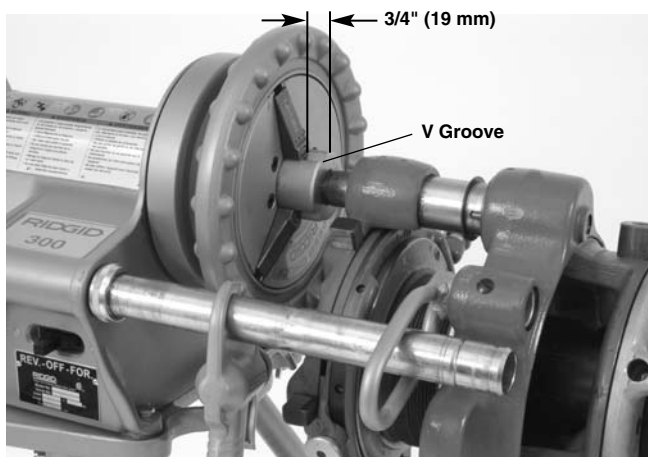


Figure 12 – Locating Drive Bar To Allow Oiling Space

3. **Model 141** – Loosen set screw in geared threader attachment boss. Install the 758 loop into boss and tighten setscrew to retain loop. Pull switch side support bar forward and through the 758 loop and secure in place with the retaining ring assembly (Figure 13).

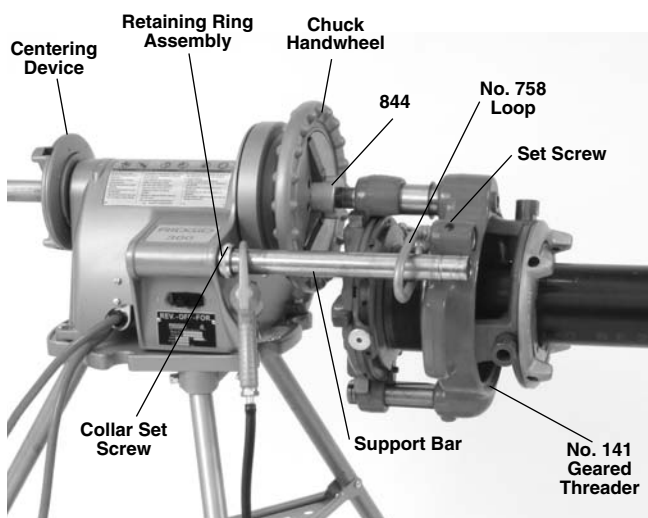


Figure 13 – Model 141 Geared Threader Close-Coupled to Power Drive

- Model 161** – Remove setscrew (plug) from threader guide post. Place the 346 support arms inside the ends of the Power Drive support bars. Pull out the Power Drive support bars so the ends of 346 support arms align with the end of 161 Threader guide post and retain with bolt and washer. Tighten the retaining ring assemblies on the Power Drive support bars to hold in place (Figure 14).

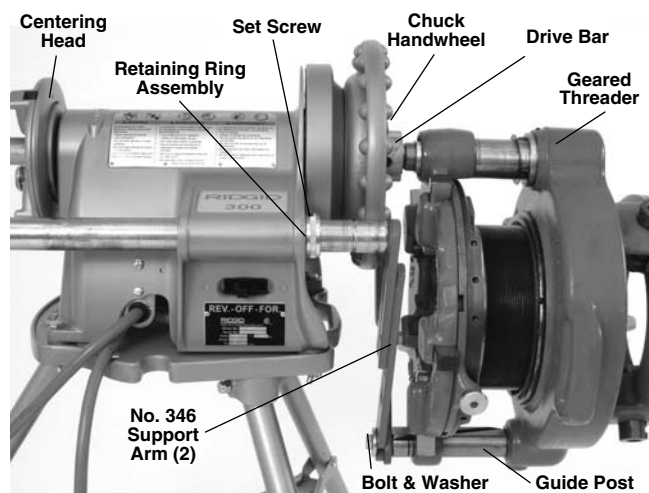


Figure 14 – Model 161 Geared Threader Close-Coupled to Power Drive

Setting up 535, 300 Compact or 1233 Close coupled to 141 Geared Threader

This method can also be used with the 300 and 300A Power Drives when equipped with a carriage. Do not use geared threaders with machines on folding stands. Stand must be in good condition.

1. Loosen setscrew in geared threader attachment boss. Install the 768 Drive Link into boss and tighten setscrew to retain (Figure 15). Do not over tighten – the drive link should rotate freely.
2. If using a 535M with the high clearance carriage, place the leveling saddle on the carriage as shown in Figure 16.
3. Use appropriate equipment to lift the geared threader and place. Lifting by hand must be done by at least two people utilizing the carrying handles, be aware that the 141 weighs 93 pounds (42 kg) and the 161 weighs 158 pounds (72 kg). Leave approximately $\frac{3}{4}$ " of the drive bar exposed in front of the chuck to allow space for oiling (Figure 12). Securely tighten chuck jaws into three "V" shaped grooves in the head of drive bar. Close the rear centering device onto drive bar. Make sure that the geared threader and power drive are stable and secure.

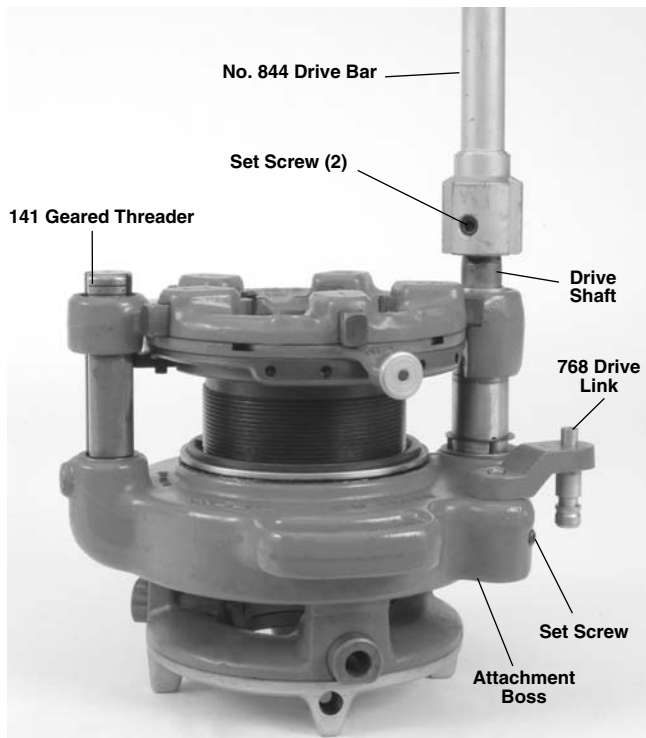


Figure 15 – 844 Drive Bar and 768 Drive Link Installed

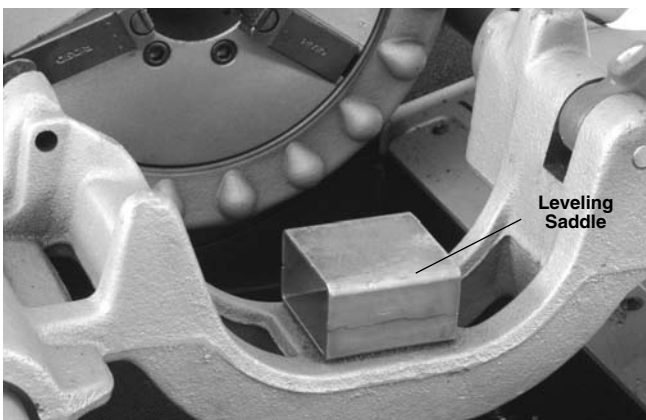


Figure 16 – Saddle on 535 Carriage

4. Align the post of 768 drive link with the die head mounting hole in the carriage and fully insert by moving the carriage. Tighten the drive link set screw to hold in place. Make sure that the geared threader and threading machine are stable and secure (*Figure 17*).
5. On machines with oiling systems, install the flexible oil spout on drive link and route so nozzle applies oil between chaser #1 and 2.



Figure 17 – Geared Threader Close-Coupled To 535

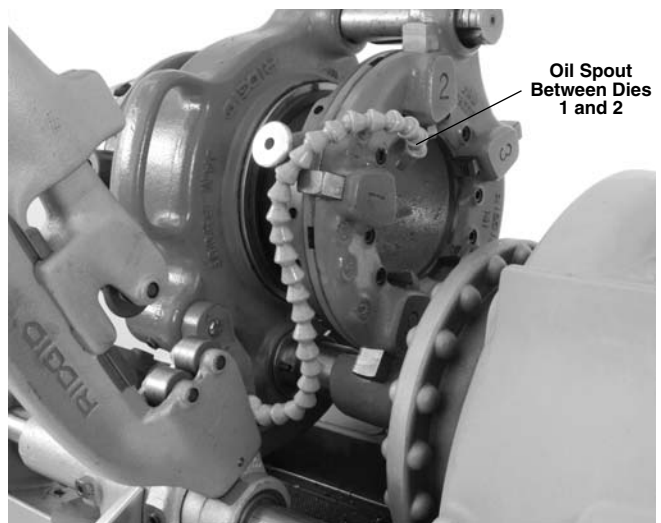


Figure 18 – Flexible Oil Spout Routing

Setting up 535A Close Coupled to 141 Geared Threader

1. Place the leveling saddle on the carriage as shown in *Figure 16*.
2. Install the flexible oil spout on 268 drive link.
3. Loosen set screw in geared threader attachment boss.
4. From the rear of machine, install the drive bar through the spindle tube to the cover (jaws must be fully open). A counterclockwise rotation of the drive bar is required.
5. Using at least two people or appropriate equipment, lift the geared threader, and place on the leveling saddle with the driveshaft of the geared thread lined up with the driveshaft in the threading machine.

6. Fully insert the drive link into the geared threader attachment boss and the die head mounting hole in the carriage.
7. From the back of the threading machine, rotate and push the drive bar onto the square drive shaft of the geared threader. Securely tighten the two setscrews to retain in place. Tighten the drive link set screw.
8. Rotate the carriage hand wheel until the geared threader is one inch (25 mm) from the front chuck cover.

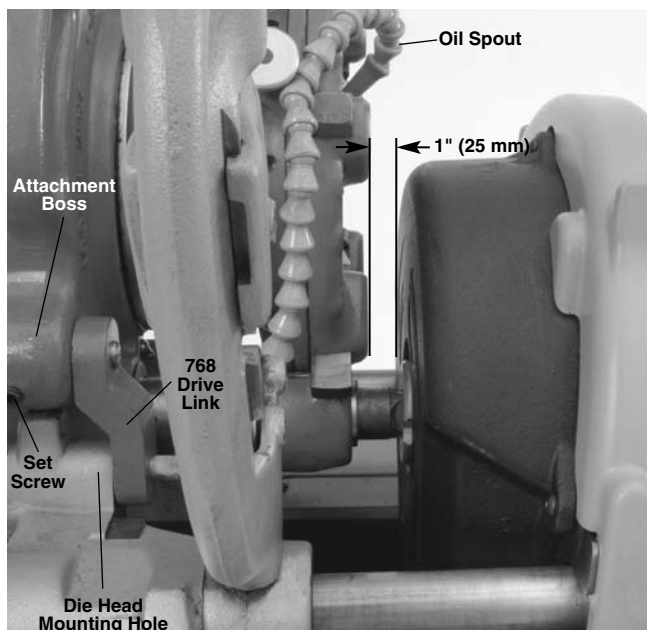


Figure 19 – 141 Threader Close Coupled To 535A Threading Machine

Threading with a Close Coupled Geared Threader (Front Mount)

1. Confirm that the equipment is properly set up.
2. Confirm that the pipe end is squarely cut and reamed/-deburred. Improperly prepared pipe can chip dies, increase threading force and give improper threads.
3. Support pipe with pipe stands to prevent the pipe and threading machine from tipping or falling. Place the pipe stands in line with workholder. Longer pipe may need multiple pipe stands. Only use pipe stands designed for this purpose. Improper pipe supports or supporting the pipe by hand can cause tipping or entanglement injuries.
4. Carefully insert/center end of pipe in throat of the dies. Turn workholder scroll to tighten jaws on pipe. The end of the socket wrench can be inserted in the holes in the

scroll for tightening. Do not strike the scroll to tighten – this can damage the scroll. Use the socket wrench to tighten the clamp screw in the jaw. Make sure that the pipe is secure to the geared threader and is stable and properly aligned (Figure 20).

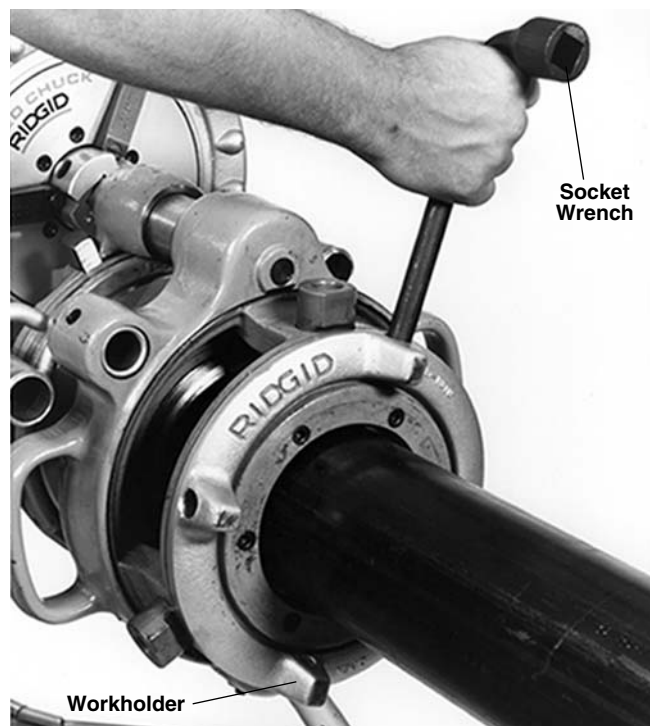


Figure 20 – Tightening Workholder

5. If using a 300 Power Drive, place 418 Oiler bucket under the geared threader. If using 300A Power Drive or a threading machine, route the flexible oil spout so nozzle applies oil between chaser #1 and 2 (Figure 18). Turn the oil spout valve to on position.
6. Set up guards or barricades to create a minimum of one meter (three feet) of clearance around the equipment and pipe. This helps to prevent non-operators from accidentally contacting the machine or pipe and causing tipping or becoming entangled in the rotating parts.
7. Place the foot switch to allow a proper operating position. With dry hands plug in the threading machine and place the threading machine switch in FOR position.
8. Assume a proper operating position to help maintain control of the machine and process (Figure 21).
 - Stand on the FOR/OFF/REV switch side of the threading machine with access to the switch.
 - Be sure that you can control the foot switch. Do not step on foot switch yet.
 - Be sure that you have good balance and do not have to overreach.

- Press the foot switch to start threading. Flood the dies with oil to lower threading torque, improve thread quality and increase die life (Figure 21).



Figure 21 – Operating Position (Close-Coupled Method)

- Continue threading until the edge of die head is flush with the red stop line on the pinion sleeve (Figure 5). Release foot switch. If threading is continued past the red stop line, the pinion shaft will disengage to prevent jamming. Do not continue to operate with the pinion shaft disengaged – over time this can cause tool damage.
- Put the FOR/OFF/REV switch in the REV position. Resume operating position and step on foot switch to back die head off approximately one turn. Release foot switch and place the FOR/OFF/REV switch in OFF position.
- Pull cam plate knobs out and rotate cam plate towards the “CD” mark on top of the die head to retract the dies. This prevents the dies from dragging while returning the geared threader to the start position.
- Put the FOR/OFF/REV switch in the REV position. Resume operating position and step on foot switch to back the die head to the appropriate starting point for the next thread.
- Remove foot from the foot switch. Place the FOR/OFF/REV switch in the OFF position and unplug the threading machine.
- If the workholder is unscrewed from the threaded

barrel, DO NOT try to re-engage the thread under power. Remove the geared threader from the machine and re-engage by hand.

- Carefully remove the pipe from the geared threader and inspect.

Inspecting Threads

- Remove any oil, chips or debris from the thread.
- Visually inspect the threads. Threads should be smooth and complete, with good form. If issues such as thread tearing or waviness, thin threads, or pipe out-of-roundness are observed, the thread may not seal when made up, especially in pressurized systems. Refer to the “Troubleshooting Chart” to diagnose these issues.
- Inspect the size of thread. The preferred method of checking thread size is with a ring gauge. There are various styles of ring gauges, and their usage may differ from that described here.
 - Screw ring gauge onto the thread hand tight.
 - Look at how far the pipe end extends through the ring gage. The end of pipe should be flush with the side of the gauge plus or minus one turn (Figure 22). If thread does not gauge properly, cut off the thread, adjust the geared threader and cut another thread. Using a thread that does not gauge properly can cause leaks.
 - If a ring gauge is not available to inspect thread size, it is possible to use a new clean fitting representative of those used on the job to gauge thread size. The thread should be cut to obtain

2½" to 4" NPT	5½ to 6¾ turns to hand tight engagement with the fitting.
4" to 6" NPT	6¾ to 7¾ turns to hand tight engagement with the fitting.
2½" to 4" BSPT	4 to 4½ turns to hand tight engagement with the fitting.

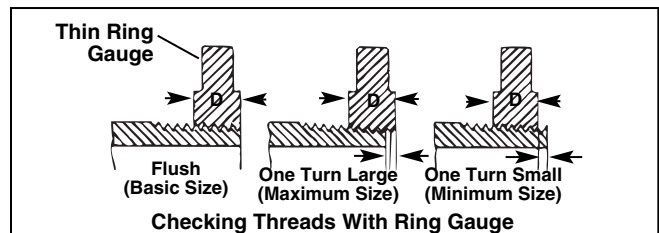


Figure 12 – Checking Thread Size

- Test the system in accordance with local codes and normal practice.

Maintenance Instructions

⚠ WARNING

Maintain geared threaders according to these procedures to reduce the risk of injury.

Cleaning

After each use, clean all chips and debris from the geared threaders and wipe off threading oil.

Clean the workholder jaws with a wire brush to remove any build up of pipe scale, etc.

Lubrication

On a monthly basis (or more often if needed).

- Lubricate all exposed moving parts with a light lubricating oil. Wipe any excess oil from exposed surfaces.
- Lubricate the threader with a lithium based general purpose grease at grease fitting (on the gear case near the drive shaft).

Accessories

⚠ WARNING

To reduce the risk of serious injury, only use accessories specifically designed and recommended for use with the 141 and 161 Receding Geared Threaders such as those listed below. Other Accessories suitable for use with other tools may be hazardous when used with the 141 and 161 Receding Geared Threaders.

Catalog No.	Model No.	Description
39380	D-1440	Ratchet and Handle
96725	—	Metal Carrying Case for 141 Geared Threaders
41620	—	Gear Head Motor Grease
42505	46	Adjustable Pipe Support
61122	840A	Universal Drive Shaft
19366	758	Loop (141 with 300/300A Power Drive)
40005	346	Support Arms (161 with 300/300A Power Drive)
42405	844	Drive Bar
42415	768	Drive Link Assembly
97882*	—	Kit 141 on 535 Auto Chuck with High-Clearance Carriage
16723*	—	Kit 141 on 535 Manual Chuck with High-Clearance Carriage

Further information on accessories specific to this tool can be found in the RIDGID Catalog and online at www.RIDGID.com.

Thread Cutting Oil Information

Read and follow all instructions on the threading oil label and MSDS. Specific information about RIDGID Thread Cutting Oils, including Hazard Identification, First Aid, Fire Fighting, and accidental release measures, Handling and storage, Personal Protective equipment, Disposal and Transportation, is included on the container and Material Safety Data Sheet (MSDS). MSDS is available at www.RIDGID.com or by contacting RIDGID Technical Service Department at (800) 519-3456 in U.S. and Canada or rttechservices@emerson.com.

Machine Storage

NOTICE The Receding Geared Threaders must be kept indoors or well covered in rainy weather. Store the threaders in a locked area that is out of reach of children and people unfamiliar with threading machines. This machine can cause serious injury in the hands of untrained users.

Service And Repair

⚠ WARNING

Improper service or repair can make machine unsafe to operate.

The “Maintenance Instructions” will take care of most of the service needs of this machine. Any problems not addressed by this section should only be handled by an authorized RIDGID service technician.

Tool should be taken to a RIDGID Independent Authorized Service Center or returned to the factory.

For information on your nearest RIDGID Independent Service Center or any service or repair questions:

- Contact your local RIDGID distributor.
- Visit www.RIDGID.com to find your local RIDGID contact point.
- Contact RIDGID Technical Services Department at rttechservices@emerson.com, or in the U.S. and Canada call (800) 519-3456

Disposal

Parts of the geared threaders contain valuable materials and can be recycled. There are companies that specialize in recycling that may be found locally. Dispose of the components in compliance with all applicable regulations. Contact your local waste management authority for more information.

Troubleshooting

PROBLEM	POSSIBLE REASONS	SOLUTION
Torn threads.	Damaged, chipped or worn out dies. Incorrect cutting oil. Insufficient cutting oil. Dirty or contaminated oil. Die head not properly aligned with pipe. Improper pipe. Die head not properly set. Machine running in wrong direction.	Replace dies. Only use RIDGID® Thread Cutting Oil. Flood the dies with oil during use. Replace the RIDGID® Thread Cutting Oil. Make sure threader is properly aligned with the pipe. Recommend using with black or galvanized steel pipe. Pipe wall too thin – use schedule 40 or heavier pipe. Adjust die head to give proper size thread. Check and correct direction of rotation.
Out-of-round or crushed threads.	Die head set undersize. Pipe wall thickness too thin.	Adjust die head to give proper size thread. Use schedule 40 or heavier pipe.
Thin Threads.	Dies inserted into head in wrong order. Workholder loose on threaded barrel.	Put dies in proper position in die head. Tighten the workholder on threaded barrel.
Pipe slips in jaws.	Workholder jaws loaded with debris. Workholder jaws worn out. Pipe not properly centered in workholder jaws. Workholder not tight.	Clean the jaws with wire brush. Replace the jaws. Make sure pipe is centered in workholder jaws. Tighten workholder clamp screw securely.
Threader does not turn.	Pinion shaft disengaged.	Do not thread past red stop line.

Fileteuses démultipliées

N° 141 et 161



AVERTISSEMENT

Familiarisez-vous avec cette notice avant d'utiliser l'appareil. Tout manque de compréhension ou de respect des consignes ci-présentes augmenterait les risques de choc électrique, d'incendie et/ou de grave blessure corporelle.

RIDGID[®]

Table des matières

Symboles de sécurité	19
Consignes générales de sécurité	
Sécurité du chantier	19
Sécurité électrique	19
Sécurité individuelle	20
Utilisation et entretien de l'appareil	20
Service après-vente	20
Fiches signalétiques de la fileteuse démultipliée	20
Description, fiche technique et équipements de base	
Description	21
Fiche technique	22
Équipements de base	22
Inspection préalable	22
Réglage des fileteuses démultipliées	
Réglage du diamètre de tuyau.....	23
Réglage du filetage	23
Réglage des filetages droits et coniques	23
Remplacement des filières.....	24
Préparation et utilisation de l'appareil	24
Préparation pour tuyaux stationnaires	25
Filetage à l'aide du cliquet D-1440.....	26
Filetage à l'aide de l'arbre d'entraînement universel 840A (montage en queue).....	26
Préparation pour tuyaux rotatifs (montage en tête ou montage direct)	28
Montage direct des fileteuses démultipliées 141/161 sur système d'entraînement 300/300A	28
Montage direct de la fileteuse démultipliée sur système d'entraînement 535/300 Compact ou 1233	29
Montage direct de la fileteuse démultipliée 141 sur système d'entraînement 535A	30
Le filetage à l'aide d'une fileteuse démultipliée en montage direct (montage en tête)	31
Contrôle des filetages	32
Entretien	
Nettoyage.....	33
Lubrification	33
Accessoires	33
Huile de coupe	33
Stockage de l'appareil	33
Révisions et réparations	34
Recyclage	34
Dépannage	34
Garantie à vie	Page de garde

*Traduction de la notice originale

Symboles de sécurité

Les symboles et mots clés utilisés à la fois dans ce mode d'emploi et sur l'appareil lui-même servent à signaler d'importants risques de sécurité. Ce qui suit permettra de mieux comprendre la signification de ces mots clés et symboles.



Ce symbole sert à vous avertir de risques d'accident potentiels. Le respect des consignes qui le suivent vous permettra d'éviter les risques d'accident grave ou potentiellement mortel.

DANGER

Le terme DANGER signifie une situation dangereuse qui, faute d'être évitée, provoquerait la mort ou de graves blessures corporelles.

AVERTISSEMENT

Le terme AVERTISSEMENT signifie une situation dangereuse potentielle qui, faute d'être évitée, serait susceptible d'entraîner la mort ou de graves blessures corporelles.

ATTENTION

Le terme ATTENTION signifie une situation dangereuse potentielle qui, faute d'être évitée, serait susceptible d'entraîner des blessures corporelles légères ou modérées.

AVIS IMPORTANT

Le terme AVIS IMPORTANT indique des informations concernant la protection des biens.



Ce symbole indique la nécessité de bien se familiariser avec la notice d'emploi avant d'utiliser ce matériel. La notice d'emploi renferme d'importantes consignes de sécurité et d'utilisation du matériel.



Ce symbole signale un risque de blessure par l'entraînement des doigts, jambes, vêtements ou autres objets portés dans le mécanisme.



Ce symbole signale un risque de blessure en cas de renversement de l'appareil.



Ce symbole interdit le port de gants lors de l'utilisation de l'appareil afin de limiter les risques de blessure.



Ce symbole signale un risque de blessure par l'enchevêtrement des doigts, des mains, des vêtements ou autres objets portés dans les engrenages de l'appareil.



Ce symbole signale un risque de blessure par l'enveloppement des doigts, des jambes, des vêtements ou autres objets portés autour des arbres rotatifs du matériel.

Consignes générales de sécurité

AVERTISSEMENT

Familiarisez-vous avec l'ensemble des consignes de sécurité et d'utilisation ci-présentes afin d'éviter les risques de choc électrique, d'incendie et/ou de grave blessure corporelle.

CONSERVEZ CETTE NOTICE !

Sécurité du chantier

- **Assurez-vous de la propreté et du bon éclairage des lieux.** Les chantiers encombrés ou mal éclairés sont une invitation aux accidents.
- **N'utilisez pas d'appareils électriques en présence de substances volatiles telles que liquides, gaz ou poussières combustibles.** Ce type de matériel risque de produire des étincelles susceptibles d'enflammer les poussières et émanations combustibles.
- **Eloignez les enfants et les curieux durant l'utilisation des appareils électriques.** Les distractions risquent de vous faire perdre le contrôle de l'appareil.

Sécurité électrique

- **La fiche de l'appareil doit correspondre à la prise de courant utilisée. Ne jamais tenter de modifier la fiche d'une manière quelconque. Ne jamais utiliser d'adaptateur de prise sur les appareils équipés d'une fiche avec terre.** Cela limitera les risques de choc électrique.
- **Évitez tout contact avec des objets reliés à la terre tels que canalisations, radiateurs, cuisinières et réfrigérateurs.** Tout contact avec la terre augmenterait les risques de choc électrique.
- **Ne maltraitez pas le cordon d'alimentation de l'appareil. Ne jamais utiliser le cordon pour porter, tirer ou débrancher l'appareil. Éloignez le cordon de la chaleur, des matières grasses, des objets tranchants et des mécanismes.** Les cordons d'alimentation endommagés ou entortillés augmentent les risques de choc électrique.
- **Lors de l'utilisation de l'appareil à l'extérieur, prévoyez une rallonge électrique homologuée pour ce type d'emploi.** Cela limitera les risques de choc électrique.

- **S'il est inévitable d'utiliser l'appareil dans des endroits humides, prévoyez une source d'alimentation protégée par disjoncteur différentiel.** La présence d'un disjoncteur différentiel limitera les risques de choc électrique.

Sécurité individuelle

- **Soyez attentif, restez concentré et faites preuve de bon sens lors de l'utilisation de ce type d'appareil. Ne jamais utiliser ce matériel lorsque vous êtes fatigué ou sous l'influence de drogues, de l'alcool ou de médicaments.** Lors de l'utilisation d'un appareil électrique, un instant d'inattention risque d'entraîner de graves lésions corporelles.
- **Habillez-vous de manière appropriée. Ne portez ni accessoires, ni bijoux. Eloignez vos cheveux, vos vêtements et vos gants des mécanismes lorsque l'appareil fonctionne.** Les foulards, les bijoux et les cheveux longs risquent d'être entraînés par les mécanismes en rotation.
- **Retirez toute clé ou dispositif de réglage éventuel avant de mettre l'appareil en marche.** Une clé ou tout autre dispositif de réglage engagé sur un élément mécanique pourrait provoquer un accident.
- **Ne vous mettez pas en porte-à-faux. Maintenez une bonne assiette et un bon équilibre à tout moment.** Cela assurera un meilleur contrôle de l'appareil en cas d'imprévu.
- **Prévoyez les équipements de protection individuelle appropriés. Portez systématiquement une protection oculaire.** Selon le cas, le port d'un masque à poussière, de chaussures de sécurité antidérapantes, du casque ou d'une protection auriculaire peut aider à limiter les risques de lésion corporelle.

Utilisation et entretien de l'appareil

- **Ne pas forcer l'appareil. Prévoyez l'appareil le mieux adapté aux travaux envisagés.** Un appareil adapté produira de meilleurs résultats et un meilleur niveau de sécurité lorsqu'il fonctionne au régime prévu.
- **Ne pas utiliser d'appareil dont l'interrupteur marche/arrêt ne fonctionne pas correctement.** Tout appareil qui ne peut pas être contrôlé par son interrupteur est considéré dangereux et doit être réparé.
- **Débrancher l'appareil avant tout réglage, remplacement d'outils ou stockage.** De telles mesures préventives aideront à limiter les risques de démarrage accidentel de l'appareil.
- **Ranger tout appareil non utilisé hors de la portée des enfants. L'utilisation de cet appareil doit être**

exclusivement réservé à du personnel compétent. Ce type d'appareil peut devenir dangereux entre les mains d'un novice.

- **Assurer l'entretien approprié de l'appareil. S'assurer de l'absence d'éléments grippés ou endommagés, voire toute autre anomalie susceptible de nuire au bon fonctionnement et à la sécurité de l'appareil. Ne pas utiliser d'appareil endommagé avant sa réparation.** De nombreux accidents sont le résultat d'appareils mal entretenus.
- **Assurer l'affutage et la propreté des outils de coupe.** Des outils de coupe correctement entretenus et affutés sont moins susceptibles de se gripper et sont plus faciles à contrôler.
- **N'utiliser que les accessoires prévus par le fabricant pour ce type particulier d'appareil.** L'utilisation d'accessoires adaptés à d'autres types d'appareil pourrait s'avérer dangereuse.

Service après-vente

- **Toute intervention doit être confiée à un réparateur qualifié.** Toute réparation ou révision de l'appareil par du personnel non qualifié augmenterait les risques d'accident.
- **Prévoir exclusivement des pièces de rechange d'origine lors de la révision ou réparation de cet appareil. Se reporter à la section « Entretien » de la notice.** L'emploi de pièces ou de procédures non homologuées augmenterait les risques de choc électrique et autres blessures corporelles.

Consignes de sécurité spécifiques

▲ AVERTISSEMENT

La section suivante contient d'importantes consignes de sécurité visant ce type d'appareil en particulier.

Afin de limiter les risques de choc électrique et autres lésions corporelles graves, familiarisez-vous avec celles-ci avant d'utiliser les fileteuses démultipliées 141/161.

CONSERVEZ CES CONSIGNES !

Gardez cette notice à portée de main de tout utilisateur éventuel.

Sécurité des fileteuses démultipliées

- **Ne portez pas de gants ou d'accessoires vestimentaires lors de l'utilisation de l'appareil.** Gardez

vos manches et vos blousons boutonnés. Ne vous penchez pas sur l'appareil ou le tuyau. Les vêtements risquent d'être entraînés par le tuyau ou par l'appareil et de les entortiller.

- **Eloignez vos mains des tuyaux et raccords en rotation. Arrêtez l'appareil avant d'essuyer ou de visser les raccords. Attendez que la machine soit complètement arrêtée avant de manipuler le tuyau.** Ceci limitera les risques d'entortillement dans les mécanismes rotatifs.
- **Assurez un périmètre de sécurité d'un mètre autour de la zone de travail dès que l'ouvrage dépasse le gabarit de la machine.** Une barrière ou barricade périmétrique positionnée au-delà de l'ouvrage limitera les risques d'entortillement.
- **Un seul individu doit se charger à la fois du fonctionnement de la machine et de sa pédale de commande.** Seul l'opérateur de l'ensemble doit se trouver dans la zone de travail afin de limiter les risques d'accident.
- **Arrimez la machine à un banc ou support. Soutenez les tuyaux de grande longueur à l'aide de portetubes.** Cela limitera les risques de renversement de l'ensemble.
- **Nettoyez les sols de la zone de travail.** Les sols glissants sont une invitation aux accidents.
- **Respectez les consignes d'utilisation de cette machine. Ne pas l'utiliser pour le perçage de trous, l'entraînement de treuils ou autres applications non prévues.** L'application non prévue ou la modification de ce système d'entraînement augmenterait les risques d'accident grave.
- **Familiarisez-vous avec les consignes d'utilisation et de sécurité applicables à l'ensemble du matériel utilisé (machine à fileter, système d'entraînement, etc.) avant d'utiliser les fileteuses démultipliées.** Le non-respect de l'ensemble de ces consignes d'utilisation et de sécurité pourrait entraîner des dégâts matériels et/ou de graves blessures.
- **N'utilisez pas cette machine en l'absence d'une pédale de commande en bon état de marche.** La pédale de commande est un dispositif de sécurité qui, en cas d'urgence, permet d'arrêter le moteur de la machine en levant le pied. Par exemple, si vos vêtements devaient être pris dans le mécanisme, le couple élevé de la machine pourrait vous entraîner aussi. Les vêtements à eux seuls pourraient alors s'entortiller autour d'un de vos membres avec suffisamment de force pour écraser ou briser les os.

Au besoin, une déclaration de conformité CE (formulaire N° 890-011-320.10) accompagnera cette notice.

En cas de questions concernant ce produit RIDGID® veuillez :

- Consulter le distributeur RIDGID le plus proche ;
- Visiter le site www.RIDGID.com ou www.RIDGID.eu afin de localiser le représentant RIDGID le plus proche ;
- Consulter les services techniques RIDGID par mail adressé à rtctechservices@emerson.com, ou bien en appelant le (800) 519-3456 (à partir des Etats-Unis ou du Canada exclusivement).

Description, fiche technique et équipements de base

Description

Les fileteuses démultipliées RIDGID® 141 et 161 sont prévues pour le filetage des tuyaux de 2½ à 4 pouces et de 4 à 6 pouces de diamètre respectivement. Une bride à cames sert à maintenir les tuyaux pendant que la tête de filière assure leur filetage. Un système de débrayage est incorporé pour prévenir le blocage de l'appareil en fin de filetage. Les deux fileteuses permettent de façonner ou des filetages droits ou des filetages coniques à pas à droite grâce à un simple réglage. Reportez-vous à la section « Fiche technique » pour les versions NPT et BSPT.

Les fileteuses 141 et 161 peuvent actionnées manuellement ou à l'aide d'une machine à fileter ou système d'entraînement RIDGID.

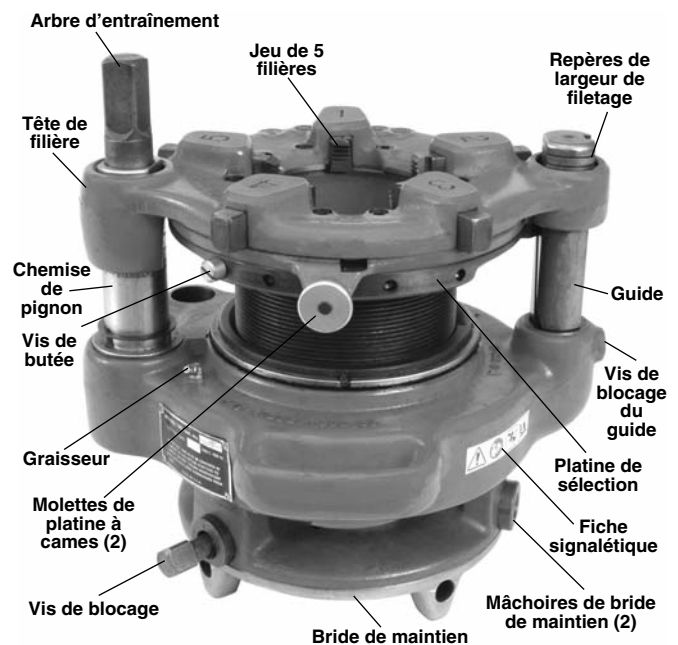


Figure 1 – Fileteuse démultipliée n° 141

Fiche technique

Modèle	Filetage	Filets par pouce	Capacité		Poids	
			pouces	mm	lb	kg
141	NPT	8	2 1/2 à 4	65 à 100	93	42,2
141	BSPT	11	2 1/2 à 4	65 à 100	93	42,2
161	NPT	8	4 à 6	100 à 6 150	158	71,7

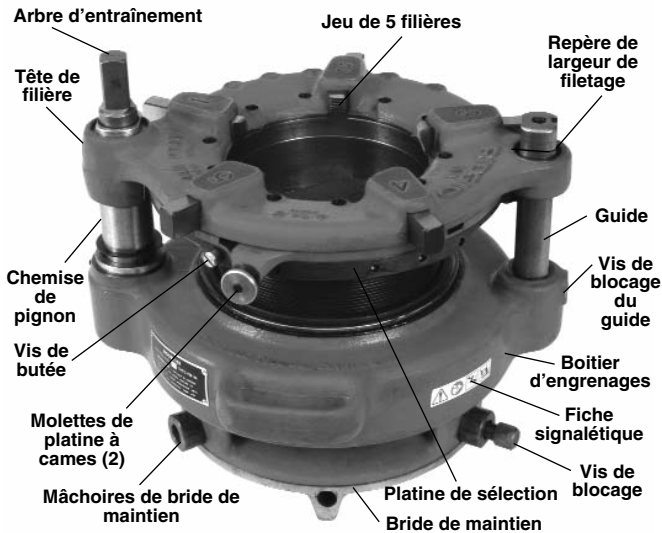


Figure 2 – Fileteuse démultipliée n° 161

Equipements de base

Les fileteuses démultipliées n° 141 et n° 161 sont livrées avec les articles suivants :

- Un jeu de filières rapides
- Clé de bride de maintien
- Mode d'emploi

AVIS IMPORTANT Le choix des matières utilisées et des moyens de raccordement appropriés reste la responsabilité du bureau d'études et/ou de l'installateur du réseau. Avant toute intervention, il convient d'effectuer une étude approfondie du milieu d'exploitation spécifique du réseau, notamment au niveau de son milieu chimique et des températures d'exploitation prévues.

Inspection préalable

⚠ AVERTISSEMENT

Afin de limiter les risques de choc électrique, d'écrasement des membres et autres lésions, et afin de protéger la machine elle-même, examinez la fileteuse démultipliée et corrigez toute anomalie éventuelle avant chaque utilisation.

1. Si la fileteuse démultipliée est raccordée à une machine à fileter ou à un système d'entraînement, assurez-vous que le matériel en question est débranché et que son commutateur se trouve à la position « OFF ».
2. Nettoyez la fileteuse, ses poignées et ses commandes soigneusement. Cela en facilitera l'inspection et assurera une meilleure prise en main de l'appareil. Au besoin, nettoyez les mâchoires de bride de maintien à l'aide d'une brosse métallique. Éliminez tous copeaux et résidus de filetage de la tête de filière.
3. L'examen de la fileteuse devrait révéler :
 - Un assemblage complet et approprié,
 - La présence d'éléments brisés, endommagés, manquants, désalignés ou grippés,
 - La présence et lisibilité de la fiche signalétique de l'appareil (Figures 1 et 2),
 - Toute anomalie susceptible de nuire au bon fonctionnement et à la sécurité de l'appareil.

En cas d'anomalie, la fileteuse démultipliée devra être réparée avant d'être utilisée.

4. Examinez le tranchant des filières pour signes de déformation, d'ébréchure ou autres anomalies. Les outils de coupe émoussés ou endommagés nécessitent un plus grand effort à l'usage, produisent des filetages de mauvaise qualité et augmentent les risques d'accident.
5. Au besoin, lubrifiez la fileteuse démultipliée selon les consignes de la section « Entretien », puis essuyez l'appareil pour éliminer toute trace d'huile excédentaire.
6. Examinez et entretenez l'ensemble du matériel utilisé selon les consignes applicables afin d'assurer son bon fonctionnement.

Lors de l'utilisation d'une machine à fileter ou d'un système d'entraînement, vérifiez le raccordement et le bon fonctionnement de sa pédale de commande et de son cordon d'alimentation.

Ne jamais utiliser une machine à fileter ou système d'entraînement qui ne fonctionne pas correctement.

Réglage des filières démultipliées

⚠ AVERTISSEMENT

Afin de limiter les risques d'accident et d'assurer leur bon fonctionnement, réglez les filières démultipliées selon les consignes suivantes.

Le réglage des fileteuses démultipliées permet d'obtenir plusieurs types et dimensions de filetage. La fileteuse n° 141 assure le filetage NPT et BSPT des tuyaux de 2 1/2, 3, 3 1/2 et 4 pouces de diamètre, tandis que la fileteuse n° 161 est prévue pour filetages NPT sur tuyaux de 4, 4 1/2, 5 et 6 pouces de diamètre. Un simple réglage permet aux deux fileteuses d'effectuer aussi bien des filetages droits que des filetages coniques.

Effectuez systématiquement un filetage témoin afin de vérifier le pas une fois la fileteuse réglée.

Réglage du diamètre de tuyau

1. Posez la fileteuse avec son arbre d'entraînement et sa tête de filière en haut.
2. Tirez sur les deux molettes de la platine à cames pour pouvoir tourner cette dernière jusqu'au repère de diamètre approprié indiqué sur la surface de la tête de filière. Lâchez les molettes pour verrouiller la platine.

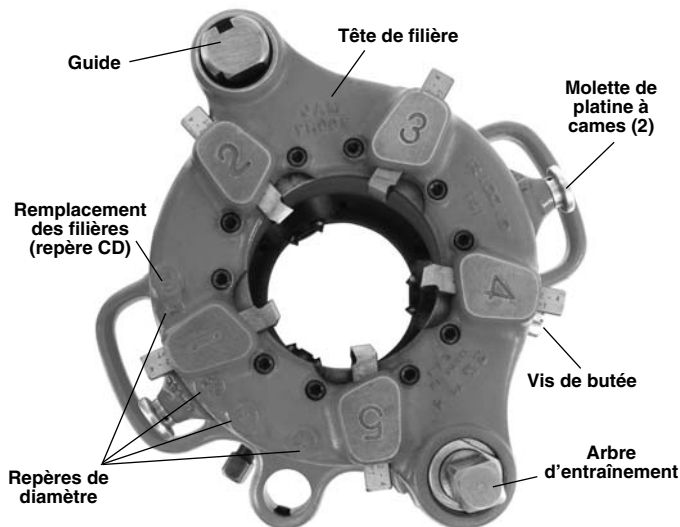


Figure 3 – Fileteuse démultipliée avec arbre d'entraînement vers le haut (ici, la 141)

Réglage du filetage

Posez la fileteuse démultipliée avec son arbre d'entraînement et sa tête de filière en haut. Tournez soit l'arbre d'entraînement, soit le boîtier d'engrenages manuellement jusqu'à aligner la tête de filière sur le repère de départ approprié du guide ou de la chemise de

pignon (Figure 4). Le filetage doit être réglé avant chaque opération de filetage afin de lui assurer un pas conforme.

- Filetage standard – vous pouvez soit amener le bas de la tête de filière à fleur du repère standard (rouge) de la chemise de pignon, ou le haut de la tête de filière à fleur du repère central du guide.
- Filetage surdimensionné (pas plus large, moins de tours de serrage) – amenez le haut de la tête de filière à fleur du repère bas du guide (« 2T OVER »).
- Filetage sous-dimensionné (pas plus étroit, plus de tours de serrage) – amenez le haut de la tête de filière à fleur du repère haut du guide (« 2T UNDER »).

La fileteuse peut être réglée pour obtenir un filetage quelconque situé entre ces deux extrêmes.

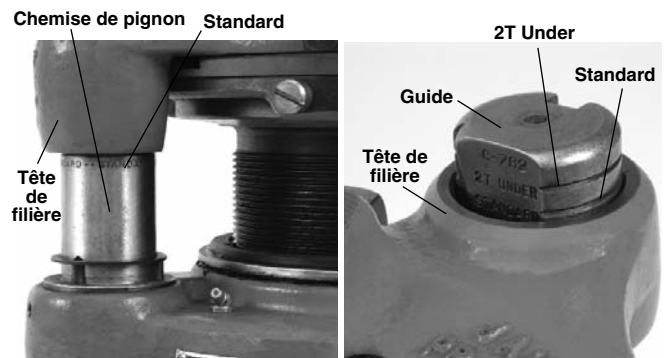


Figure 4 – Réglage de largeur de filetage – Vue rapprochée des repères de chemise de pignon et de guide

Réglage pour filetages droits ou coniques

Les fileteuses démultipliées sont livrées réglées pour les filetages coniques type NPT ou BSPT, mais elles peuvent être ajustées pour obtenir des filetages droits type NPSM ou BSPP. Des filetages coniques sont obtenus lorsque l'arrêt du guide est engagé dans la rainure diagonale du guide. Des filetages droits seront produits lorsque l'arrêt du guide est engagé dans la rainure verticale du guide.

1. Réglez la fileteuse démultipliée pour obtenir un filetage standard (voir ci-dessus).
2. Retirez la vis du boîtier d'engrenages à l'embase du guide.
3. Tirez le guide vers le haut jusqu'à ce que l'arrêt (affixé à la platine de sélection) se désengage de sa rainure.

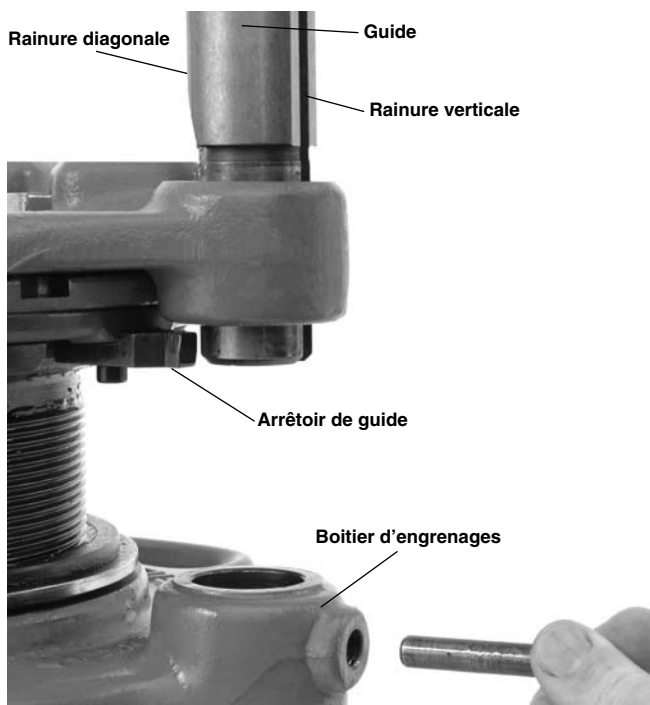


Figure 5 – Réglage pour filetages droits ou coniques

4. Tournez le guide jusqu'à ce que la rainure appropriée (diagonale pour les filetages coniques ou verticale pour les filetages droits) se trouve à l'intérieur et dans l'alignement de l'arrêteur de guide.
5. Engagez l'arrêteur de guide dans la rainure du guide, puis renforcez le guide dans le boîtier d'engrenages.
6. Revissez la vis du boîtier d'engrenages à l'embase du guide.

Remplacement des filières

La plaque signalétique de chaque fileteuse démultipliée indique le nombre de filets par pouce qu'elle produit. Les fileteuses démultipliées type NPT produisent 8 filets par pouce, tandis que les modèles BSPT en produisent 11.

AVIS IMPORTANT Ne jamais utiliser de filières BSPT dans une fileteuse NPT et vice-versa. Cela produirait non-seulement des filetages incorrects, mais risquerait aussi d'endommager les filières et/ou la fileteuse concernée.

1. Posez la fileteuse démultipliée avec son arbre d'entraînement et sa tête de filière en haut.
2. Retirez la vis de butée de la platine de sélection (Figure 3).
3. Dégagez les molettes de la platine à cames et tournez la platine jusqu'au repère « CD » de la tête de filière.
4. Retirez les filières existantes de la tête de filière.

5. Installez les filières appropriées en vous assurant que leurs repères (1 à 5) correspondent à ceux de la tête de filière. Introduisez les filières avec leur repère numérique en haut.
6. Dégagez les molettes de la platine à cames pour tourner la platine jusqu'au repère de la tête de filière qui correspond à l'application voulue, puis lâchez les molettes pour verrouiller la platine.
7. Réinstallez la vis de butée de la platine de sélection.

Préparation et utilisation de l'appareil

⚠ AVERTISSEMENT



Portez systématiquement une protection oculaire. Portez des chaussures de sécurité blindées en cas de renversement du matériel ou des tuyaux.

Ne portez pas de gants ou d'accessoires vestimentaires. Boutonnez les manches de chemise et les blousons. Les accessoires vestimentaires et vêtements déboutonnés risqueraient d'être entraînés dans le mécanisme et provoquer de graves blessures corporelles.

Eloignez vos mains des mécanismes et tuyaux en rotation. Ne jamais se pencher sur la machine ou le tuyau. Afin de limiter les risques d'accident grave, attendez que le matériel s'arrête complètement avant toute manipulation.

Vérifiez le montage approprié de la fileteuse démultipliée, à la fois entre la machine de filetage ou système d'entraînement et le tuyau. Un mauvais montage de l'ensemble pourrait entraîner de graves blessures corporelles.

N'utilisez pas de moteur d'entraînement ou de machine à fileter sans pédale de commande en bon état de marche. Ne jamais bloquer la pédale de commande en position de marche. Le but de la pédale de commande est de vous permettre d'arrêter la machine en cas d'urgence en levant le pied. Tant que la machine est en marche, l'entraînement éventuel de vos vêtements par le mécanisme pourrait vous entraîner aussi. Le couple développé par cette machine est suffisant pour entortiller les vêtements autour d'un membre au point d'écraser ou briser les os et provoquer d'autres graves lésions corporelles.

Un seul individu doit contrôler à la fois le processus de filetage et la pédale de commande. Ne jamais utiliser cette machine à plusieurs. En cas d'urgence, l'utilisateur unique doit pouvoir lâcher la pédale de commande immédiatement.

Installez et utilisez la fileteuse démultipliée selon les

consignes suivantes afin de limiter les risques de renversement ou détérioration du matériel, et de prévenir d'éventuels blessures corporelles par enchevêtrement, écrasement, impact ou autres.

Les fileteuses démultipliées peuvent servir à la fois au filetage des tuyaux stationnaires et rotatifs.

Dans le cas d'un tuyau stationnaire (voire, tenu dans un étau), la tête de filière de la fileteuse démultipliée tourne autour du tuyau pour le fileter. Le filetage peut alors se faire manuellement à l'aide d'une clé type D-1440 ou mécaniquement en y montant l'arbre de transmission universel type 840A pour la connecter à une machine à fileter. Le montage sur arbre de transmission 840A se dit « montage en queue ».

Equipées des accessoires appropriées, les fileteuses démultipliées peuvent aussi être accouplées à diverses machines de filetage. Le cas échéant, la tête de filière reste stationnaire, et c'est la bride de maintien et le tuyau qui tournent. Cette méthode se dit « montage en tête » ou « montage direct ».

Préparation de chantier pour tuyaux stationnaires

1. Vérifiez que la zone d'intervention dispose :
 - D'un éclairage suffisant.
 - D'une surface plane, stable et sèche assez grande pour l'utilisateur et l'ensemble du matériel.
2. Nettoyez les lieux avant toute installation du matériel. Essuyez toutes traces de matière grasse ou d'eau éventuelles.
3. Examinez les tuyaux ou raccords à fileter pour vous assurer que la fileteuse démultipliée 141 ou 161 est adaptée aux travaux envisagés (*se reporter à la fiche technique*).

A noter que le matériel prévu pour d'autres applications se trouve dans le catalogue RIDGID et sur les sites www.RIDGID.com ou www.RIDGID.eu.

4. Assurez-vous de l'inspection préalable de l'ensemble du matériel utilisé.
5. Assurez-vous de la bonne tenue et stabilité du tuyau à fileter. Le tuyau et ses supports doivent pouvoir résister au couple développé par la fileteuse démultipliée sans bouger ou tourner. Lors de l'utilisation d'un étau à tubes, assurez-vous qu'il correspond à la section du tuyau et qu'il est correctement arrimé afin de limiter les risques de renversement en cours de filetage. Les trépieds doivent être boulonnés au sol. Les tuyaux de grande longueur doivent être supportés par un nombre suffisant de porte-tubes.

6. Lors de l'utilisation de l'arbre de transmission universel type 840A, le tuyau doit être axé sur l'arbre de sortie de la machine.
7. Assurez-vous que l'extrémité du tuyau est bien d'équerre, alésé et ébavuré. Un tuyau mal préparé peut endommager les filières, sur-solliciter la machine et produire des filetages de mauvaise qualité.
8. Réglez la fileteuse démultipliée en fonction des travaux envisagés. Assurez-vous que sa tête de filière est suffisamment en retrait pour le type de filetage voulu. *Se reporter à la section « Réglage des fileteuses démultipliées ».*
9. Prévoyez les moyens de manutention nécessaires pour soulever la fileteuse démultipliée et la positionner sur l'extrémité du tuyau en orientant l'une des mâchoires de la bride de maintien vers le haut. La manutention et positionnement manuel de l'appareil nécessite l'intervention de deux individus, un pour chaque poignée de levage. N'oubliez pas que la 141 pèse 93 livres et que la 161 en pèse 158. Engagez délicatement la tête de filière sur l'extrémité du tuyau, puis servez-vous du manche de la clé à cliquet pour serrer la bride de maintien en l'engageant dans les orifices de son collier de serrage. Ne frappez pas le collier pour le serrer, car cela risquerait de l'endommager. Servez-vous à nouveau de la clé à cliquet pour serrer la vis de blocage de la bride. Assurez-vous de la bonne fixation et stabilité de la fileteuse démultipliée (*Figure 6*).
10. Placez le sceau à lubrifiant 418 sous la fileteuse démultipliée en vous assurant qu'il contient une quantité suffisante d'huile de coupe RIDGID.



Figure 6 – Serrage de la bride de maintien

Filetage manuel des tuyaux à l'aide de la clé à cliquet D-1440

1. Assurez-vous de la bonne installation de la fileteuse démultipliée pour un filetage sur tuyaux stationnaire.
2. Engagez la clé à cliquet D-1440 sur le carré de l'arbre d'entraînement.
3. Mettez-vous en position de travail (bonne assiette, bon équilibre) et, sachant qu'il vous sera probablement nécessaire d'utiliser votre poids pour obtenir un maximum d'effort sur la clé, assurez-vous de la stabilité de l'ensemble.
4. Tournez l'arbre d'entraînement à l'aide de la clé à cliquet. La rotation se fait en sens horaire vue de l'extrémité du tuyau. Inondez les filières d'huile de coupe afin de limiter l'effort, produire des filetages de bonne qualité et préserver les filières.



Figure 7 – Utilisation de la clé à cliquet D-1440

5. Actionnez la clé à cliquet jusqu'à ce que le bord supérieur de la tête de filière arrive à fleur du repère de fin de course rouge de la chemise de pignon (Figure 8).

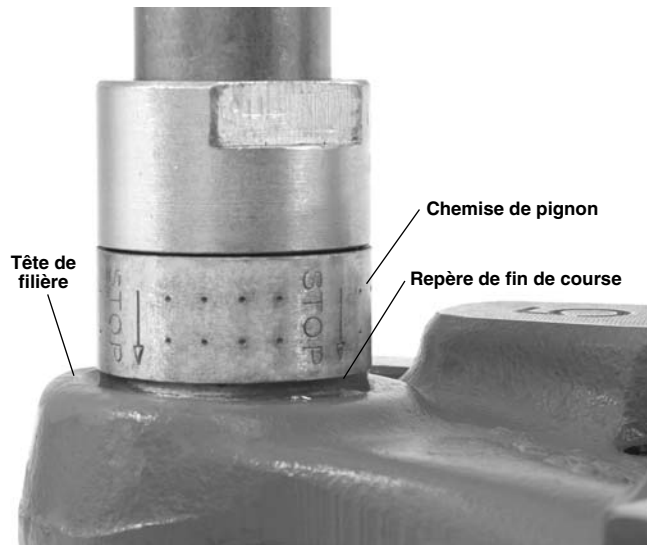


Figure 8 – Filetage terminé – Tête de filière à fleur du repère de fin de course

6. Retirez la clé à cliquet et retournez-la. Tournez l'arbre d'entraînement en sens antihoraire pour ramener la tête de filière d'un tour environ.
7. Dégagez les molettes de la platine à cames et tournez la platine jusqu'au repère « CD » de la tête de filière pour ouvrir les filières. Cela empêche le frottement des filières lorsque la fileteuse démultipliée est ramenée à son point de départ.
8. Continuez de tourner l'arbre d'entraînement en sens antihoraire pour ramener la tête de filière au point de départ prévu pour le filetage suivant.
9. Retirez délicatement la fileteuse démultipliée de l'extrémité du tuyau, puis examinez le filetage.

Le filetage des tuyaux à l'aide de l'arbre de transmission 840A (montage en queue)

L'arbre de transmission 840A permet d'utiliser les systèmes d'entraînement 300 ou 300A et les machines à fileter 535 ou 1224 pour entraîner les fileteuses démultipliées. Ne pas utiliser de machines à fileter à mandrin automatique tel que la 535A, ni de machines qui ne permettent pas d'inverser le sens de rotation.

1. Vérifiez que la fileteuse démultipliée est réglée pour le filetage stationnaire.
2. Assurez-vous que la machine à fileter est débranchée et que son commutateur FOR/OFF/REV est en position OFF. Respectez l'ensemble de consignes d'utilisation et de sécurité visant la machine à fileter.
3. Positionnez la machine à fileter avec son arbre de

sortie dans l'axe du tuyau. Le mandrin arrière de la machine à fileter doit être orienté vers le tuyau.



Figure 9 – Carénage et fiche signalétique de l'arbre de transmission 840A

4. Introduisez l'embout hexagonal de l'arbre de transmission 840A dans la tête de centrage arrière de la machine à fileter. Serrez la tête de centrage arrière et le mandrin avant sur les plats de l'arbre de transmission universel. Ne pas l'introduire par l'avant de la machine (voire, côté chariot).
5. Alignez et engagez le carré creux de l'arbre de transmission sur l'arbre d'entraînement de la fileteuse démultipliée. Serrez les deux vis de blocage à fond pour le maintenir en place. Assurez-vous que les deux carénages de joint universel sont en place et en bon état (Figure 9).
6. Examinez la position de la chemise coulissante de l'arbre d'entraînement. Celle-ci devrait être sensiblement centrée sur la longueur de l'arbre. Au besoin, déplacez légèrement la machine à fileter. L'axe de la machine à fileter doit être sensiblement dans l'axe du tuyau. Sinon, il y aurait risque de renversement de la machine à fileter.

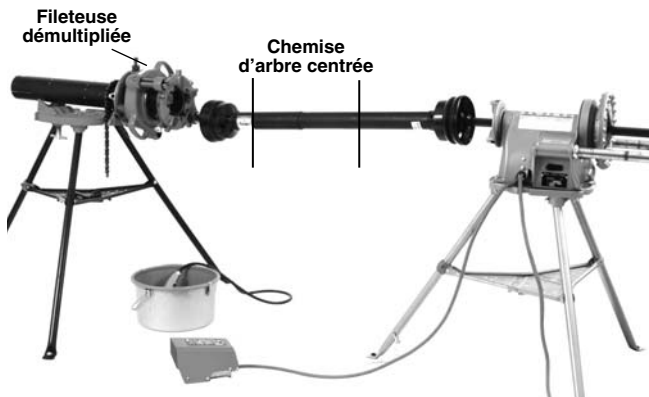


Figure 10 – Montage avec arbre de transmission universel

7. Lors de l'utilisation d'un système d'entraînement 300

ou 300A, n'oubliez pas de bien l'arrimer au sol afin d'éviter son renversement.

8. Positionnez des barrières ou des barricades de sécurité sur le périmètre de la zone de travail et à au moins 1 m (3 pieds) du matériel et du tuyau. Cela empêchera les passants d'heurter, renverser ou s'entraver dans les mécanismes en rotation.
9. Positionnez la pédale de commande de manière à pouvoir maintenir une bonne position de travail à tout moment. Avec les mains sèches, branchez la machine à fileter, puis mettez son commutateur à la position REV.
10. Assumez une position de travail appropriée afin de mieux contrôler la machine et le processus de rainurage (Figure 11).
 - Tenez-vous du côté commutateur ON/OFF/REV de la machine à fileter afin de pouvoir y accéder à tout moment.
 - Tout en vous assurant de pouvoir facilement atteindre la pédale de commande, n'appuyez pas encore sur celle-ci.
 - Assurez-vous de pouvoir maintenir votre équilibre à tout moment, sans avoir à vous pencher sur le matériel. Eloignez-vous suffisamment de l'arbre de transmission.

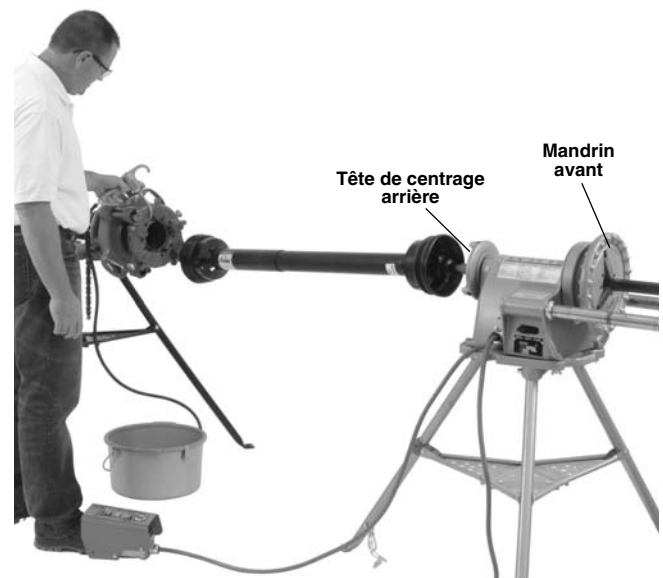


Figure 11 – Le filetage à l'aide de l'arbre de transmission universel

11. Appuyez sur la pédale de commande pour entamer le filetage. Inondez les filières d'huile afin de réduire le couple développé, améliorer la qualité du filetage et préserver les filières. Dans la mesure où la filière tourne autour du tuyau durant l'opération, il faut anticiper le mouvement asymétrique de l'arbre de trans-

mission. En cas d'anomalie, retirez votre pied de la pédale de commande.

12. Continuez le processus de filetage jusqu'à ce que le bord de la tête de filière arrive à fleur du repère de butée rouge de la chemise de pignon (*Figure 8*), puis lâchez la pédale. Si le filetage va au-delà du repère de butée rouge, le pignon se désengagera automatiquement pour éviter son blocage. Interrompez l'opération dès que le pignon se désengage, car le fait d'insister endommagerait l'appareil à court terme.
13. Mettez le commutateur FOR/OFF/REV en position FOR. Mettez-vous en position de travail, puis appuyez sur la pédale de commande pour ramener la tête de filière en arrière d'environ un tour. Lâchez la pédale de commande et ramenez le commutateur FOR/OFF/REV à la position OFF.
14. Dégagez les molettes de la platine à cames et tournez la platine jusqu'au repère « CD » en surface de la tête de filière afin d'ouvrir les filières. Cela évitera le frottement des filières lorsque la fileteuse est ramenée en position de départ.
15. Mettez le commutateur FOR/OFF/REV en position FOR. Mettez-vous en position de travail, puis appuyez sur la pédale de commande pour ramener la tête de filière au point de départ voulu pour le filetage suivant.
16. Retirez votre pied de la pédale de commande, Mettez le commutateur FOR/OFF/REV en position OFF, puis débranchez la machine à fileter.

AVIS IMPORTANT Si la bride de maintien venait à se dévisser de la chemise fileté, n'essayez JAMAIS de la réengager à l'aide du moyen d'entraînement motorisé, car cela pourrait endommager la fileteuse. Retirez la fileteuse démultipliée et réengagez-la manuellement.

Retirez soigneusement l'arbre de transmission et la fileteuse démultipliée du tuyau, puis examinez le filetage.

Le filetage des tuyaux en rotation (montage en tête/montage direct)

1. Vérifiez que la zone d'intervention dispose :
 - D'un éclairage suffisant.
 - D'une surface plane, stable et sèche assez grande pour l'utilisateur et l'ensemble du matériel.
2. Nettoyez les lieux avant toute installation du matériel. Essuyez toutes traces de matière grasse ou d'eau éventuelles.
3. Examinez les tuyaux ou raccords à fileter pour vous assurer que la fileteuse démultipliée 141 ou 161 est adaptée aux travaux envisagés (*se reporter à la fiche technique*).

A noter que le matériel prévu pour d'autres applications se trouve dans le catalogue RIDGID et sur les sites www.RIDGID.com ou www.RIDGID.eu.

4. Assurez-vous de l'inspection préalable de l'ensemble du matériel utilisé.
5. Installez la machine sur une surface dégagée et de niveau selon les instructions applicables à la machine à fileter. Assurez-vous de la parfaite stabilité de la machine et de son support. Vérifiez que la machine est débranchée et que son commutateur FOR/OFF/REV se trouve en position OFF. Lors de l'utilisation d'un système d'entraînement 300 ou 300A, retirez le chariot, la tête de filière, l'alésoir et le coupe-tubes de leurs supports respectifs. Lors de l'utilisation d'une machine à fileter, retirez sa tête de filière du chariot, relevez et dégagez le coupe-tubes et l'alésoir, puis éloignez le chariot du mandrin.
6. Ouvrez le mandrin avant et le dispositif de centrage arrière de la machine complètement.
7. Réglez la fileteuse démultipliée selon les travaux envisagés. Assurez-vous que la tête de filière est ramenée jusqu'au repère approprié en fonction de la taille de filets voulue. *Reportez-vous à la section « Réglage des fileteuses démultipliées ».*
8. Avec l'arbre d'entraînement de la fileteuse démultipliée vers le haut, engagez-y la barre d'entraînement n° 844, puis serrez ses deux vis de blocage (*Figure 15*). Sur la machine 535A, ne connectez pas encore la barre d'entraînement.

Assemblage direct des systèmes d'entraînement 300/300A et des fileteuses démultipliées 141/161

1. Desserrez les anneaux de blocage des barres de soutien, puis repoussez les barres à fond dans le bâti du système d'entraînement.
2. Prévoyez les moyens nécessaires pour soulever la fileteuse démultipliée et l'engager sur l'extrémité du tuyau avec l'une des mâchoires de la bride de maintien en haut. La manutention manuelle de l'appareil nécessite l'intervention d'au moins deux individus utilisant les poignées de manutention. Sachez que la 141 pèse 93 livres (42 kg) et que la 161 en pèse 158 (72 kg). La barre d'entraînement doit saillir du mandrin d'environ $\frac{3}{4}$ " (19 mm) pour permettre la lubrification (*Figure 12*). Serrez à fond les mâchoires du mandrin sur les trois rainures en « V » de la tête de la barre d'entraînement. Refermez la tête de centrage arrière sur la barre d'entraînement. Vérifiez le bon assemblage et la parfaite stabilité de la fileteuse démultipliée et du système d'entraînement.

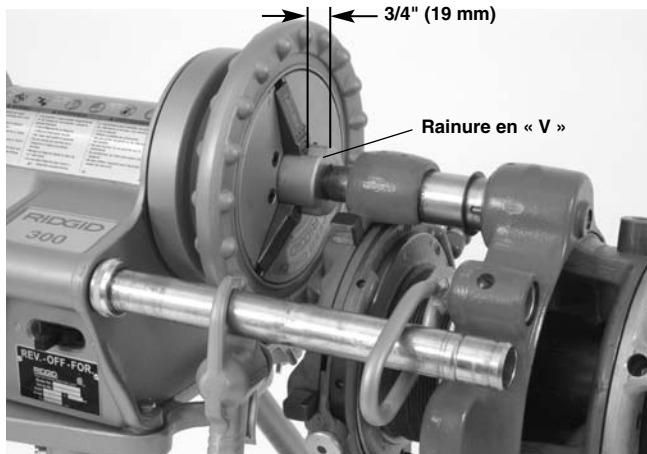


Figure 12 – Positionnement de la barre d'entraînement pour permettre la lubrification

3. **Modèle 141** – Desserrez la vis de blocage du bossage de montage des accessoires de la fileteuse démultipliée. Engagez l'anneau n° 758 dans le bossage et serrez la vis de blocage pour l'arrimer. Amenez la barre de soutien côté commutateur à travers l'anneau n° 758, puis serrez son anneau de blocage pour la tenir en position (Figure 13).

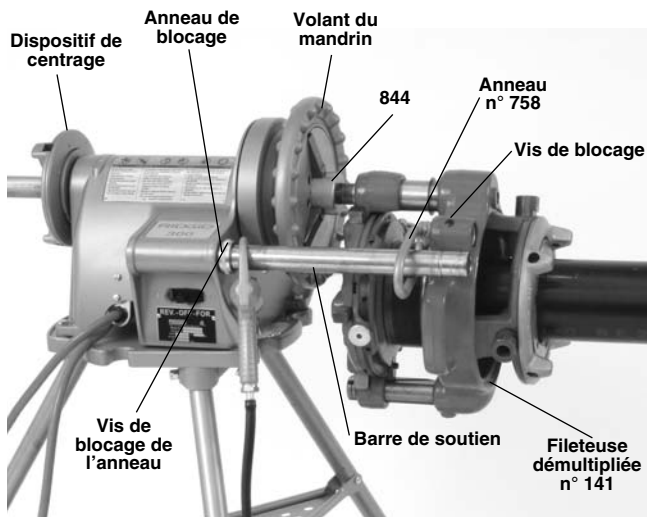


Figure 13 – Fileteuse démultipliée modèle 141 en montage direct sur système d'entraînement

Modèle 161 – Retirez la vis de blocage (bouchon) du guide de la fileteuse. Introduisez les bras de soutien n° 346 dans l'extrémité des barres de soutien du système d'entraînement. Déployez les barres de soutien du système d'entraînement jusqu'à aligner l'extrémité opposée des bras de soutien 346 avec l'extrémité du guide de la fileteuse démultipliée 161, puis arrimez-les à l'aide du boulon et écrou. Serrez les anneaux de blocage des barres de soutien du système d'entraînement pour maintenir leur position (Figure 14).

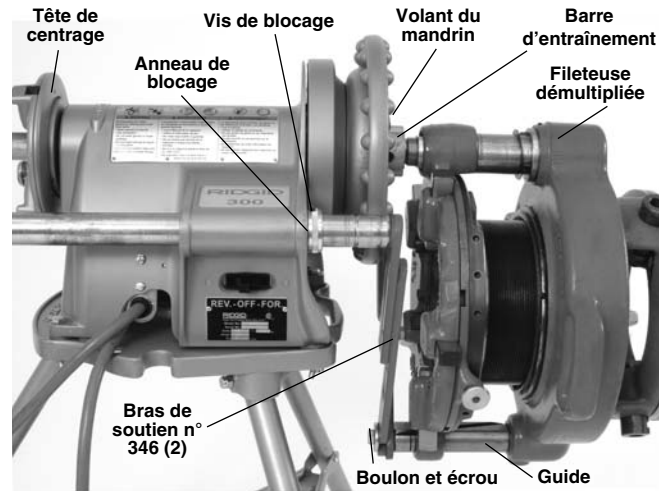


Figure 14 – Fileteuse démultipliée modèle 141 en montage direct sur système d'entraînement

Montage direct de la fileteuse démultipliée 141 sur systèmes d'entraînement types 535, 300 Compact et 1233

La méthode suivante peut également servir avec les systèmes d'entraînement 300 et 300A équipés d'un chariot. Ne pas utiliser de fileteuse démultipliée avec des machines montées sur support pliant. Le support de la machine doit être en bon état.

1. Desserrez la vis de blocage du bossage d'accessoires de la fileteuse démultipliée. Introduisez la tringle d'entraînement n° 768 dans le bossage et serrez la vis de blocage (Figure 15). Ne pas trop serrer, car la tringle doit pouvoir tourner librement.
2. Lors de l'utilisation d'un 535 avec chariot à grand dégagement, positionnez la selle de nivellement sur le chariot comme indiqué à la Figure 16.
3. Prévoyez les moyens nécessaires pour soulever la fileteuse démultipliée et l'engager sur l'extrémité du tuyau avec l'une des mâchoires de la bride de maintien en haut. La manutention manuelle de l'appareil nécessite l'intervention d'au moins deux individus utilisant les poignées de manutention. Sachez que la 141 pèse 93 livres (42 kg) et que la 161 en pèse 158 (72 kg). La barre d'entraînement doit saillir du mandrin d'environ $\frac{3}{4}$ " (19 mm) pour permettre la lubrification (Figure 12). Serrez à fond les mâchoires du mandrin sur les trois rainures en « V » de la tête de la barre d'entraînement. Refermez la tête de centrage arrière sur la barre d'entraînement. Vérifiez le bon assemblage et la parfaite stabilité de la fileteuse démultipliée et du système d'entraînement.

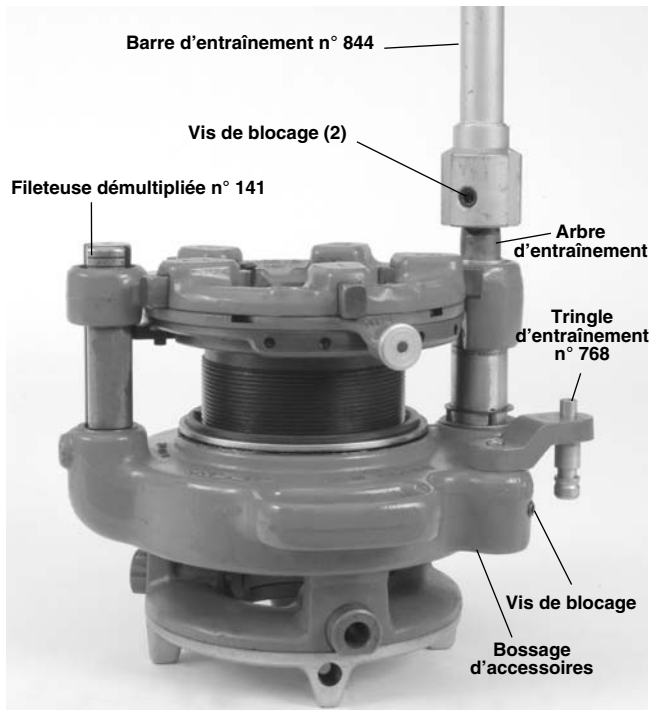


Figure 15 – Barre d'entraînement n° 844 et bielle d'entraînement n° 768 installées

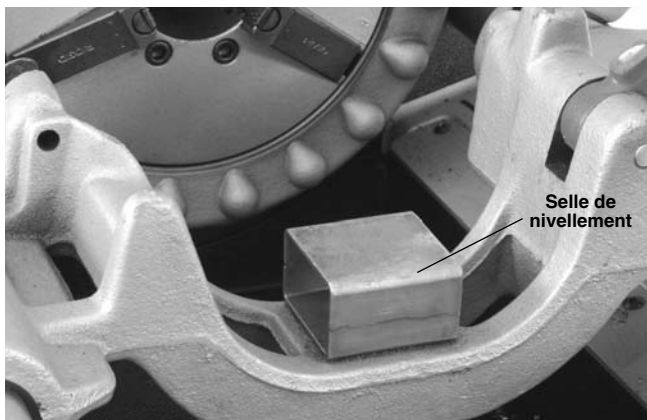


Figure 16 – Selle sur chariot du 535

4. Alignez l'ergot de la tringle d'entraînement sur l'orifice de montage de tête de filière du chariot, puis introduisez-le à fond en déplaçant le chariot. Serrez la vis de blocage de la tringle d'entraînement pour l'arrimer. Vérifiez le bon assemblage et la parfaite stabilité de la fileteuse démultipliée et de la machine à fileter (Figure 17).
5. Si la machine utilisée est équipée d'un système de lubrification, montez l'embout de son flexible sur la tringle d'entraînement et orientez-le de manière à lubrifier la zone entre les filières 1 et 2.



Figure 17 – Fileteuse démultipliée en montage direct avec 535

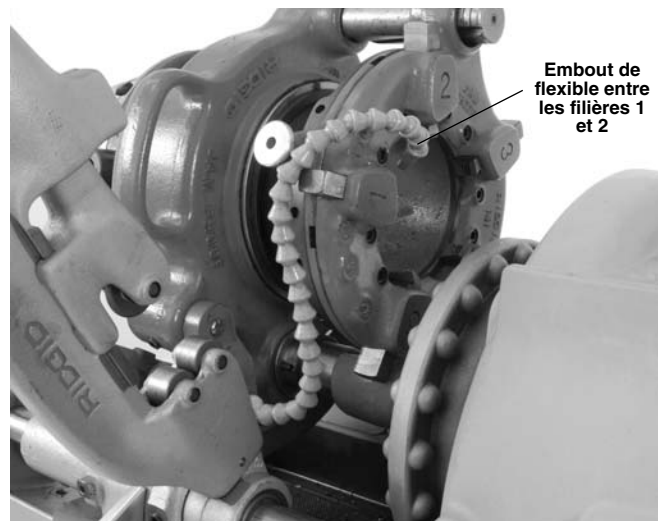


Figure 18 – Passage du flexible de lubrification

Montage directe de la 535A et de la fileteuse démultipliée

1. Placez la selle de nivellement sur le chariot comme indiqué à la Figure 16.
2. Positionnez le flexible de lubrification sur la tringle d'entraînement n° 268.
3. Desserrez la vis de blocage du bossage d'accessoires de la fileteuse démultipliée.
4. Depuis l'arrière de la machine, introduisez la barre d'entraînement à travers le guide d'arbre jusqu'au couvercle (les mâchoires doivent être complètement ouvertes) en tournant la barre d'entraînement en sens antihoraire.
5. A l'aide d'un autre individu ou du matériel de levage approprié, soulevez la fileteuse démultipliée et posez-

la sur la selle de nivellement avec son arbre d'entraînement aligné sur celui de la machine à fileter.

6. Engagez les ergots de la tringle d'entraînement dans l'orifice du bossage d'accessoires de la fileteuse démultipliée et celui de montage de tête de filière du chariot.
7. Depuis l'arrière de la machine à fileter, tournez et engagez la barre d'entraînement sur le carré de l'arbre d'entraînement de la fileteuse démultipliée. Serrez les deux vis de blocage à fond pour la maintenir en place. Serrez la vis de blocage de la tringle d'entraînement.
8. Tournez le volant du chariot jusqu'à ce que la fileteuse démultipliée arrive à un pouce (25 mm) du carénage du mandrin avant.

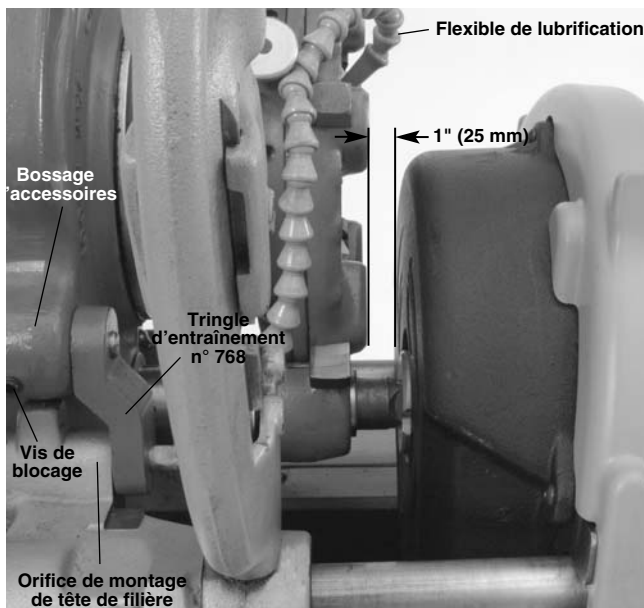


Figure 19 – Fileteuse n° 141 en montage direct avec machine à fileter n° 535A

Le filetage avec fileteuse démultipliée en montage direct (montage en tête)

1. Vérifiez la bonne installation du matériel.
2. Contrôlez l'équerrage, l'alésage et l'ébarbage du tuyau. Un tuyau mal préparé risque d'endommager les filières, augmenter la résistance et produire des filetages inadaptés.
3. Soutenez le tuyau à l'aide de porte-tubes afin d'éviter le renversement ou la chute du tuyau et de la machine à fileter. Alignez les porte-tubes sur la bride de maintien de l'appareil. Les tuyaux de plus grande longueur pourront nécessiter plusieurs porte-tubes. N'utilisez

que les porte-tubes prévus pour ce type d'intervention. L'emploi de porte-tubes inadaptés ou la tenue manuelle des tuyaux pourrait provoquer le renversement du matériel et/ou blesser son utilisateur.

4. Introduisez soigneusement l'embout du tuyau dans la gorge des filières. Serrez le collier de la bride de maintien pour immobiliser le tuyau. Le manche de la clé à carré peut servir à serrer le collier en l'engageant dans ses orifices. Ne jamais frapper le collier pour le serrer, car cela pourrait l'endommager. Servez-vous de la clé à carré pour serrer la vis de blocage de la mâchoire. Vérifiez la bonne tenue, la stabilité et l'alignement du tuyau vis-à-vis de la fileteuse démultipliée (Figure 20).

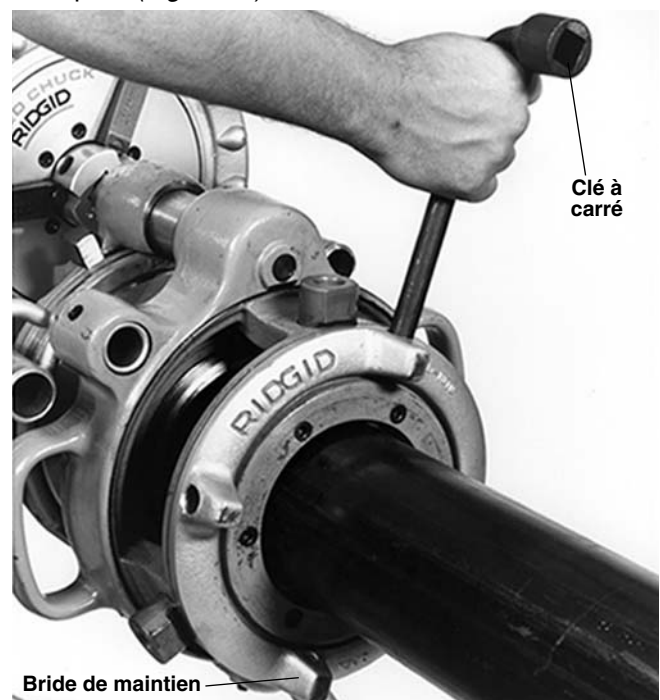


Figure 20 – Serrage de la bride de maintien

5. Lors de l'utilisation d'un système d'entraînement type 300, positionnez le sceau de récupération d'huile sous la fileteuse démultipliée. Lors de l'utilisation d'un système d'entraînement type 300A ou d'une machine à fileter, amenez l'embout de son flexible de lubrification entre les filières 1 et 2 (Figure 18). Ouvrez le robinet du système de lubrification.
6. Etablissez un périmètre de sécurité (barrières ou barricades) d'au moins un mètre (3 pieds) autour du chantier. Cela évitera l'intrusion et la blessure éventuelle d'autrui.
7. Positionnez la pédale de commande de la machine de manière à pouvoir y accéder tout en maintenant une position de travail appropriée. Avec les mains

sèches, branchez la machine à fileter et mettez son commutateur en position FOR.

8. Mettez-vous en position de travail appropriée afin de mieux contrôler la machine et le processus de filetage (Figure 21).
 - Tenez-vous du côté commutateur FOR/OFF/REV de la machine à fileter afin de pouvoir y accéder facilement.
 - Assurez-vous de pouvoir facilement atteindre la pédale de commande, sans pour autant y appuyer dessus pour l'instant.
 - Assurez-vous de pouvoir maintenir votre équilibre à tout moment, sans avoir à vous pencher sur la machine ou le tuyau.
9. Appuyez sur la pédale de commande pour engager la fileteuse. Inondez les filières d'huile afin de limiter le frottement, améliorer la qualité du filetage et prolonger la vie utile des filières (Figure 21).



Figure 21 – Position de travail en montage direct

10. Continuez l'opération de filetage jusqu'à ce que le bord de la tête de filière arrive à fleur de la ligne de butée rouge de la chemise de pignon (Figure 5). Lâchez la pédale de commande. Si le filetage est prolongé au-delà de la ligne de butée rouge, l'arbre de pignon se désengagera automatiquement afin d'éviter le blocage de l'appareil. Ne pas continuer l'opération lorsque l'arbre de pignon est désengagé, car cela pourrait endommager l'appareil au long terme.
11. Mettez le commutateur FOR/OFF/REV en position

REV. Remettez-vous en position de travail, puis appuyez sur la pédale de commande pour ramener la tête de filière en arrière d'un tour environ. Lâchez la pédale de commande et mettez le commutateur FOR/OFF/REV à la position OFF.

12. Dégagez les molettes de la platine à cames et tournez la platine jusqu'au repère « CD » du haut de la tête de filière pour ouvrir les filières. Cela évitera le frottement des filières lorsque la fileteuse démultipliée est ramenée à sa position de départ.
13. Mettez le commutateur FOR/OFF/REV à la position REV. Remettez-vous en position de travail, puis appuyez sur la pédale de commande pour ramener la tête de filière au point de départ approprié avant d'entamer le filetage suivant.
14. Lâchez la pédale de commande. Mettez le commutateur FOR/OFF/REV en position OFF, puis débranchez la machine à fileter.
15. Si la bride de maintien venait à se dévisser de la chemise filetée, ne JAMAIS tenter de la réengager à l'aide de la machine à fileter. Déconnectez la fileteuse démultipliée de la machine, puis réengagez-la manuellement.
- 16 Retirez délicatement le tuyau de la fileteuse démultipliée avant de l'inspecter.

Contrôle du filetage

1. Essuyez le filetage afin d'éliminer toutes traces d'huile, de copeaux ou de débris.
2. Examinez visuellement le filetage. Ce dernier devrait être lisse, régulier et complet. Des filets déchirés, déformés ou trop fins, voire une indication d'ovalisation du tuyau, seraient suffisant pour questionner l'intégrité et l'étanchéité du filetage, surtout lorsqu'il s'agit d'un réseau sous pression. Reportez-vous à la section « Dépannage » pour la diagnostic de ce type de problème.
3. Contrôlez le pas du filetage. La méthode préférée consiste à utiliser une jauge annulaire. Il en existe plusieurs sortes, et leur emploi risque de différer ce celui décrit ci-dessous.
 - Vissez manuellement la jauge annulaire jusqu'au bout du filetage.
 - Observez la saillie du tuyau derrière la jauge. L'extrémité du tuyau devrait être à fleur de la jauge, plus ou moins un tour (Figure 22). A défaut, sectionnez le filetage, réglez la fileteuse démultipliée, puis entamez un nouveau filetage. Un filetage non conforme risque de nuire à l'étanchéité du réseau.

- En l'absence d'une jauge annulaire, un raccord neuf, propre et représentatif de ceux qui seront utilisés sur le réseau peut servir de gabarit. Le cas échéant, le filetage devrait permettre d'obtenir :

Entre 5 $\frac{1}{2}$ et 6 $\frac{3}{4}$ tours de serrage manuel du raccord pour les filetages NPT de 2 $\frac{1}{2}$ à 4 pouces ;

Entre 6 $\frac{3}{4}$ et 7 $\frac{3}{4}$ tours de serrage manuel du raccord pour les filetages NPT de 4 à 6 pouces ;

Entre 4 et 4 $\frac{1}{2}$ tours de serrage manuel du raccord pour les filetages BSPT de 2 $\frac{1}{2}$ à 4 pouces.

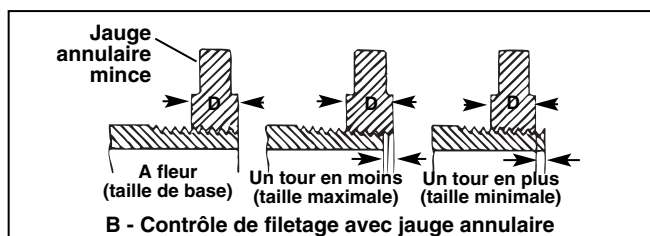


Figure 22 – Contrôle du filetage

- Testez le réseau selon la réglementation en vigueur et les règles de l'art.

Consignes d'entretien

⚠ AVERTISSEMENT

Afin de limiter les risques d'accident, respecter les consignes d'entretien suivantes visant les fileteuses démultipliées.

Nettoyage

Éliminez tous copeaux et débris de la fileteuse démultipliée après chaque intervention et essuyez toutes traces d'huile de coupe.

Nettoyez les mâchoires de la bride de maintien à l'aide d'une brosse métallique afin d'éliminer les accumulations de résidus, etc.

Lubrification

Effectuez les opérations suivantes mensuellement ou plus souvent si nécessaire :

- Lubrifiez l'ensemble des mécanismes exposés à l'aide d'une huile minérale légère, puis essuyez toutes traces d'huile résiduelle.
- Utilisez une graisse au lithium universelle pour graisser la boîte d'engrenages de la fileteuse via le graisseur qui se trouve près de l'arbre d'entraînement.

Accessoires

⚠ AVERTISSEMENT

Afin de limiter les risques d'accident grave, utilisez exclusivement les accessoires spécifiquement prévus pour les fileteuses démultipliées 141 et 161, tels que ceux indiqués ci-après. Toute tentative d'adaptation d'accessoires prévus pour d'autres types d'appareil pourrait s'avérer dangereuse.

Réf. catalogue	Modèle	Description
39380	D-1440	Clé à cliquet et poignée
96725	—	Malette de transport métallique pour fileteuse démultipliée type 141
41620	—	Graisse d'engrenages
42505	46	Porte-tubes réglable
61122	840A	Arbre de transmission universel
19366	758	Anneau n° 758 (pour 141 avec système d'entraînement 300/300A)
40005	346	Bras de soutien (pour 161 avec système d'entraînement 300/300A)
42405	844	Barre d'entraînement
42415	768	Tringle d'entraînement
97882*	—	Kit 141 pour 535 à mandrin automatique et chariot grand dégagement
16723*	—	Kit 141 pour 535 à mandrin manuel et chariot grand dégagement

Vous trouverez de plus amples renseignements sur les accessoires disponibles pour cet appareil dans le catalogue RIDGID et sur le site www.RIDGID.com.

Utilisation des huiles de coupe

Respectez l'ensemble des consignes affichées sur le conteneur et sur la fiche signalétique du produit. Des informations spécifiques sur les huiles de coupe RIDGID (identification des dangers, premiers soins, intervention incendie et déversement, manipulation et stockage, équipements de protection individuelle, recyclage et transport, etc.) sont indiquées à la fois sur le conteneur et la fiche signalétique. La fiche signalétique est disponible sur le site www.RIDGID.com, chez les services techniques de RIDGID en composant le (800) 519-3456 depuis les États-Unis ou le Canada, ou encore en les contactant par mail adressé à rttechservices@emerson.com.

Stockage de l'appareil

AVIS IMPORTANT Les fileteuses démultipliées doivent être rangées à l'intérieur ou bien protégées des intempéries. Stockez ces appareils sous clé et hors de la portée des enfants et de tous ceux qui ne sont pas familiers avec leur fonctionnement. Ce type d'appareil peut s'avérer dangereux entre les mains d'un novice.

Révisions et réparations

⚠ AVERTISSEMENT

Toute intervention mal effectuée risque de rendre l'utilisation de cet appareil dangereuse.

La section « Consignes d'entretien » couvrira la majorité des besoins d'entretien de l'appareil. Toute anomalie éventuelle qui ne serait pas traitée dans section « Dépannage » ci-après doit être référée à un réparateur RIDGID agréé.

L'appareil devra alors être confié à un réparateur indépendant agréé ou renvoyé à l'usine.

Pour localiser le réparateur RIDGID le plus proche ou pour toutes questions visant la révision ou la réparation de l'appareil, veuillez :

- Consulter le distributeur RIDGID le plus proche ;

- Visiter le site www.RIDGID.com ou www.RIDGID.eu afin de localiser le représentant RIDGID le plus proche ;
- Consulter les services techniques RIDGID par mail adressé à rttechservices@emerson.com, ou bien en appelant le (800) 519-3456 (à partir des Etats-Unis ou du Canada exclusivement).

Recyclage

Certains éléments des fileteuses démultipliées contiennent des matières rares susceptibles d'être recyclées. Des sociétés de recyclage spécialisées peuvent parfois se trouver localement. Recyclez ce type de matériel selon la réglementation en vigueur. Consultez les services de recyclage de votre localité pour de plus amples renseignements.

Dépannage

Anomalie	Cause possible	Solution
Filets déchirés.	Filières endommagées, ébréchées ou usées. Huile de coupe inappropriée. Manque d'huile de coupe. Huile sale ou contaminée. Tête de filière mal alignée sur le tuyau. Type de tuyau incorrect.	Remplacer les filières. Utiliser exclusivement l'huile de coupe RIDGID®. Inonder les filières en cours de filetage. Remplacer l'huile de coupe RIDGID®. Vérifier l'alignement de la fileteuse sur le tuyau. Utiliser de préférence des tuyaux en acier noir ou galvanisé. Parois de tuyau trop minces – utiliser des tuyaux plus lourds (série 40 ou plus).
	Mauvais réglage de la tête de filière. Sens de rotation de la machine inversé.	Régler la tête de filière pour obtenir le pas nécessaire. Vérifier et inverser le sens de rotation.
Filets ovalisés ou écrasés.	Tête de filière réglée pour filetages sous-dimensionnés. Parois de tuyau trop minces.	Régler la tête de filière pour obtenir le pas nécessaire. Utiliser des tuyaux plus lourds (série 40 ou plus).
Filetages trop minces.	Filières installées dans le désordre. Bride de maintien dévissée.	Installer les filières dans l'ordre approprié. Revisser la bride de maintien sur la chemise fileté.
Rotation du tuyau dans la bride.	Mâchoires de bride encrassées. Mâchoires de bride usées. Tuyau décentré. Bride de maintien desserrée.	Nettoyer les mâchoires à l'aide d'une brosse métallique. Remplacer les mâchoires. Vérifier le centrage du tuyau dans la bride. Serrer la vis d'assemblage de la bride à fond.
Arrêt de la fileteuse.	Désengagement du pignon.	Arrêter le filetage au repère de butée rouge.

Modelo 141/161



⚠ ADVERTENCIA

Antes de utilizar este aparato, lea detenidamente su Manual del Operario. Pueden ocurrir descargas eléctricas, incendios y/o graves lesiones si no se entienden y siguen las instrucciones de este manual.


Índice de materias


Simbología de seguridad	37
Información de seguridad general	
Seguridad en la zona de trabajo	37
Seguridad eléctrica	37
Seguridad personal	38
Uso y cuidado de los equipos	38
Servicio	38
Advertencias de seguridad para roscadoras a engranajes con retroceso	39
Descripción, especificaciones y equipo estándar	
Descripción	39
Especificaciones	39
Equipo estándar.....	40
Inspección previa a la operación	40
Ajuste de las roscadoras a engranajes	
Ajuste por tamaño de tubo.....	41
Ajuste del tamaño de rosca	41
Ajuste para roscas rectas o roscas cónicas.....	42
Cómo cambiar terrajas.....	42
Puesta en marcha y operación	43
Montaje de tubo estacionario	43
Roscado con trinquete D-1440	44
Roscado con eje de transmisión universal 840A (montaje trasero).....	45
Montaje de tubo giratorio (montaje frontal/acoplado directo)	47
Montaje de la motopropulsora 300/300A acoplada directamente a la roscadora a engranajes 141/161	47
Montaje de la motopropulsora 535, 300 compacta o 1233 acoplada directamente a la roscadora a engranajes 141/161	48
Montaje de la máquina 535A acoplada directamente a una roscadora a engranajes 141	49
Roscado con una roscadora a engranajes de acoplamiento directo (montaje frontal)	50
Inspección de roscas	50
Instrucciones de mantenimiento	
Limpieza.....	52
Lubricación.....	52
Accesorios	52
Información sobre el aceite de corte	53
Almacenamiento de la máquina	53
Servicio y reparaciones	53
Eliminación de la máquina	53
Resolución de problemas	54
Garantía vitalicia	Carátula posterior


*Traducción del manual original


Simbología de seguridad

En este manual del operario y en el producto mismo encontrará símbolos y palabras de advertencia que comunican importante información de seguridad. Para su mejor comprensión, en esta sección se describe el significado de estas palabras y símbolos de advertencia.


 Este es el símbolo de una alerta de seguridad. Sirve para prevenir al operario de las lesiones corporales que podría sufrir. Obedezca todas las instrucciones de seguridad que acompañan a este símbolo para evitar posibles lesiones o muerte.


 **PELIGRO** Este símbolo de PELIGRO advierte de una situación de riesgo o peligro que, si no se evita, podría producir la muerte o lesiones graves.


 **ADVERTENCIA** Este símbolo de ADVERTENCIA avisa de una situación de riesgo o peligro que, si no se evita, podría producir la muerte o lesiones graves.

 **CUIDADO** Este símbolo de CUIDADO advierte de una situación de riesgo o peligro que, si no se evita, podría producir lesiones leves o moderadas.


 **AVISO** Un AVISO advierte de la existencia de información relacionada con la protección de un bien o propiedad.


 Este símbolo significa que es necesario leer detenidamente su manual del operario antes de usar el equipo. El manual del operario contiene información importante acerca del funcionamiento apropiado y seguro del equipo.

 Este símbolo indica que existe el riesgo de que los dedos, piernas, ropa y otros objetos se enganchen o se enrollen en los ejes giratorios de la máquina y se produzcan lesiones por aplastamiento o golpes.


 Este símbolo indica que la máquina puede volcarse y causar lesiones por aplastamiento o golpes.

 Este símbolo indica que el operario no debe usar guantes mientras hace funcionar esta máquina, puesto que podrían engancharse.

 Este símbolo advierte que entre los engranajes y piezas giratorias de la máquina pueden engancharse las manos, dedos, ropa u otros objetos y causar lesiones por aplastamiento.

 Este símbolo indica que existe el riesgo de que los dedos, piernas, ropa y otros objetos se enganchen o se enrollen en los ejes giratorios de la máquina y se produzcan lesiones por aplastamiento o golpes.

Información de seguridad general

 **ADVERTENCIA**
Lea todas las instrucciones y advertencias de seguridad. Si no se siguen y respetan las advertencias e instrucciones, podrían producirse descargas eléctricas, incendios y/o lesiones graves.

¡GUARDE TODAS LAS ADVERTENCIAS E INSTRUCCIONES PARA POSTERIOR CONSULTA!

Seguridad en la zona de trabajo

- **Mantenga su zona de trabajo limpia y bien iluminada.** Los lugares desordenados u oscuros pueden provocar accidentes.
- **No haga funcionar equipos en ambientes explosivos, es decir, en presencia de líquidos, gases o polvo inflamables.** Los equipos pueden generar chispas que podrían encender los gases o el polvo.
- **Mientras haga funcionar un aparato motorizado, mantenga alejados a los niños y transeúntes.** Cualquier distracción podría hacerle perder el control del aparato.

Seguridad eléctrica

- **El enchufe del aparato eléctrico debe corresponder al tomacorriente. Jamás modifique el enchufe del aparato. No utilice un enchufe adaptador cuando haga funcionar un aparato motorizado provisto de conexión a tierra.** Los enchufes intactos y tomacorrientes que les correspondan reducen el riesgo de choques de electricidad.
- **Evite el contacto de su cuerpo con artefactos conectados a tierra tales como cañerías, radiadores, estufas o cocinas, y refrigeradores.** Aumenta el riesgo de choques de electricidad si su cuerpo ofrece conducción a tierra.
- **No maltrate el cordón eléctrico del aparato. Nunca transporte el aparato tomándolo de su cordón eléctrico ni jale del cordón para desenchufarlo del tomacorriente. Mantenga el cordón alejado del calor, aceite, bordes cortantes o piezas móviles.** Un cordón enredado o en mal estado aumenta el riesgo de choques de electricidad.
- **Al hacer funcionar un aparato motorizado a la intemperie, emplee un cordón de extensión fabricado para uso exterior.** Los alargadores diseñados

para su empleo al aire libre reducen el riesgo de choques de electricidad.

- **Si resulta inevitable el empleo de una máquina motorizada en un sitio húmedo, enchúfela en un tomacorriente GFCI (dotado de un Interruptor del Circuito de Pérdida a Tierra).** El interruptor GFCI reduce el riesgo de choques de electricidad.

Seguridad personal

- **Manténgase alerta, preste atención a lo que está haciendo y use el sentido común cuando haga funcionar algún equipo. No use ningún equipo si usted está cansado o se encuentra bajo la influencia de drogas, alcohol o medicamentos.** Tan solo un breve descuido durante el funcionamiento de un equipo puede resultar en lesiones graves.
- **Vístase adecuadamente. No lleve ropa suelta ni joyas. Mantenga su cabello, ropa y guantes apartados de las piezas en movimiento.** La ropa suelta, las joyas o el pelo largo pueden engancharse en las piezas móviles.
- **Extraiga cualquier llave que esté acoplada al aparato motorizado antes de encenderlo.** Una llave acoplada a una pieza o parte giratoria del aparato motorizado puede producir lesiones personales.
- **No trate de extender el cuerpo para alcanzar algo. Tenga los pies bien plantados y mantenga el equilibrio en todo momento.** Esto permite un mejor control del equipo en situaciones inesperadas.
- **Use equipo de protección personal. Siempre use protección para los ojos.** Según corresponda para cada situación, colóquese equipo de protección como mascarilla para el polvo, calzado de seguridad antideslizante, casco o protección para los oídos, con el fin de reducir las lesiones personales.

Uso y cuidado de los equipos

- **No fuerce los aparatos. Use el equipo correcto para la tarea que está por realizar.** Con el equipo adecuado se hará mejor el trabajo y en forma más segura en la clasificación nominal para la cual fue diseñado.
- **Si el interruptor del aparato no lo enciende (ON) o no lo apaga (OFF), no utilice el aparato.** Cualquier herramienta que no se pueda controlar mediante su interruptor es un peligro y debe repararse.
- **Desenchufe el aparato del tomacorriente antes de hacer ajustes, cambiar accesorios o almacenarlo.** Estas medidas de seguridad preventiva reducen

el riesgo de poner el aparato en marcha involuntariamente.

- **Almacene los aparatos motorizados que no estén en uso fuera del alcance de los niños y no permita que los hagan funcionar personas que no estén familiarizadas con los aparatos o no hayan leído estas instrucciones de operación.** Los equipos que estén en manos de personas no capacitadas son peligrosos.
- **Haga la mantención necesaria del equipo. Revise el equipo para verificar que las piezas móviles no estén mal alineadas o agarradas. Verifique que no tenga partes quebradas ni presente alguna otra condición que podría afectar su funcionamiento. Si un aparato está dañado, hágalo reparar antes de utilizarlo.** Muchos accidentes se deben a equipos motorizados que no han recibido un mantenimiento adecuado.
- **Mantenga las hojas y filos de corte afilados y limpios.** Las herramientas para cortar provistas de filos afilados son menos propensas a trabarse y son más fáciles de controlar.
- **Emplee únicamente los accesorios que han sido recomendados por el fabricante de su modelo.** Los accesorios aptos para un cierto aparato pueden ser peligrosos si se usan con otros aparatos.

Servicio

- **El servicio de los equipos debe encomendarse a técnicos de reparación calificados.** El servicio o mantenimiento efectuado por personas no calificadas puede aumentar el riesgo de lesiones.
- **Cuando se haga el servicio a un equipo, deben usarse solamente repuestos idénticos a los originales. Siga las instrucciones en la sección Mantenimiento de este manual.** El uso de piezas no autorizadas o el incumplimiento de las instrucciones de mantenimiento pueden aumentar el riesgo de choques de electricidad o lesiones.

Información de seguridad específica

⚠ ADVERTENCIA

Esta sección contiene información de seguridad importante que es específica para esta herramienta.

Antes de utilizar las roscadoras a engranajes con retroceso Modelo 141/161, lea estas instrucciones detenidamente para reducir el riesgo de choque de electricidad o de otras lesiones graves.

¡GUARDE ESTAS INSTRUCCIONES!

Mantenga este manual junto con la máquina, para que lo use el operario.

Seguridad de las roscadoras a engranajes con retroceso

- **No use guantes ni ropa suelta cuando haga funcionar la máquina.** Mantenga abotonadas las chaquetas y las mangas. No estire el brazo por encima de la máquina ni de un tubo. La máquina o el tubo pueden enganchar la ropa y enmarañarla.
- **Mantenga las manos apartadas de los tubos y acoplamientos mientras giran. Detenga la máquina antes de limpiar las roscas de un tubo o de atornillar un acoplamiento o fitting. Permita que la máquina se detenga por completo antes de tocar el tubo.** Estas prácticas evitarán los enganches en piezas giratorias.
- **Si la pieza de trabajo se extiende más allá de la máquina, rodee la zona de trabajo con barreras o una barricada que deje un espacio libre de por lo menos un metro (1 m) alrededor de la máquina.** Una barrera que protege la zona que rodea la pieza trabajada reduce el riesgo de enmarañarse.
- **Un solo operario debe controlar el proceso de trabajo, el funcionamiento de la roscadora y el interruptor de pie.** Nadie más debe estar en la zona de trabajo cuando la máquina esté en marcha. Esto ayuda a evitar lesiones.
- **Asegure la máquina a un banco de trabajo o soporte. Los tubos largos y pesados deben montarse sobre soportatubos.** Así se evita que el equipo se vuelque.
- **Mantenga el piso seco y exento de materiales resbalosos tales como el aceite.** Los pisos resbaladizos provocan accidentes.
- **Siga las instrucciones para usar esta máquina como es debido. No la utilice para otros fines, como perforar agujeros o girar un malacate.** Si usa esta máquina para otros fines o modifica este mecanismo impulsor para otras tareas, podría causar lesiones graves.
- **Lea y entienda las instrucciones y advertencias para todos los equipos usados, incluyendo las**

máquinas roscadoras y motopropulsoras, antes de hacer funcionar las roscadoras a engranajes. Si no se respetan todas las advertencias e instrucciones, puede dañarse un bien o propiedad y/o producirse lesiones graves.

- **No use esta máquina si le falta el interruptor de pie o está averiado.** El interruptor de pie es un dispositivo de seguridad que le permite un mejor control sobre la máquina porque en cualquier momento de urgencia usted puede apagar el motor con solo retirar el pie del pedal. Por ejemplo: si a usted se le engancha la ropa en la máquina, el elevado par de torsión seguirá jalándolo hacia la máquina. La ropa misma puede enrollarse alrededor de su brazo o de alguna otra parte de su cuerpo con fuerza suficiente para causar aplastamiento o fractura de huesos.

El folleto de la Declaración de Conformidad de la Comunidad Europea (890-011-320.10) se adjuntará a este manual cuando se requiera.

Si tiene alguna pregunta acerca de este producto RIDGID®:

- Comuníquese con el distribuidor RIDGID en su localidad.
- Visite www.RIDGID.com o www.RIDGID.eu para averiguar dónde se encuentran los centros autorizados de RIDGID más cercanos.
- Comuníquese con el Departamento de Servicio Técnico de RIDGID en rttechservices@emerson.com, o llame por teléfono desde EE. UU. o Canadá al (800) 519-3456.

Descripción, especificaciones y equipo estándar**Descripción**

Las Roscadoras a engranajes con retroceso Modelo 141 y Modelo 161 de RIDGID® están diseñadas para roscar tubos de 2½" a 4", y de 4" a 6", respectivamente. Un portapiezas a levas se usa para agarrar el tubo mientras el cabezal de terrajas corta las roscas. Se incluye un embrague para que no se atasque al final de la rosca. Las roscadoras pueden usarse para roscas a mano derecha tanto rectas como cónicas, mediante un ajuste sencillo. Vea las especificaciones para las versiones NPT y BSPT.

El Modelo 141 y el Modelo 161 pueden impulsarse en distintas formas. Pueden funcionar a mano o con diversas máquinas roscadoras y motopropulsoras de RIDGID.

Especificaciones

Modelo No.	Tipo de rosca	Roscas por pulg.	Capacidad nominal		Peso	
			pulgada	mm	libras	kg
141	NPT	8	2½ a 4	65 a 100	93	42,2
141	BSPT	11	2½ a 4	65 a 100	93	42,2
161	NPT	8	4 a 6	100 a 150	158	71,7

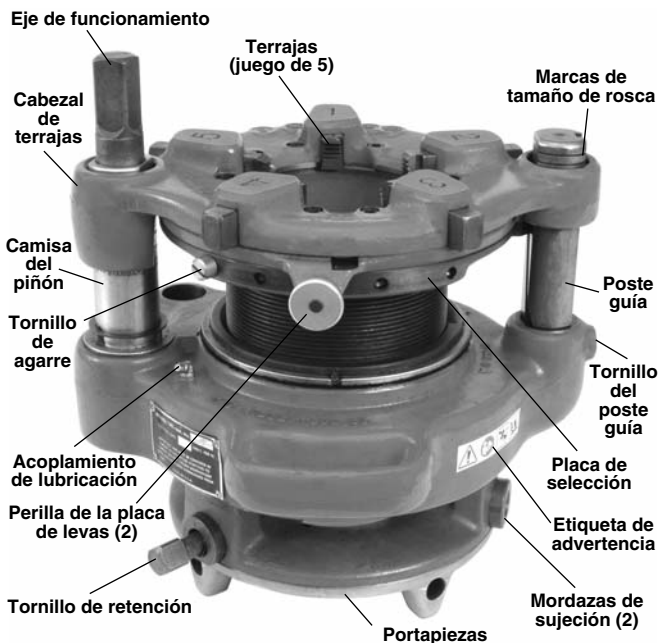


Figura 1 – Roscadora a engranajes con retroceso Modelo 141

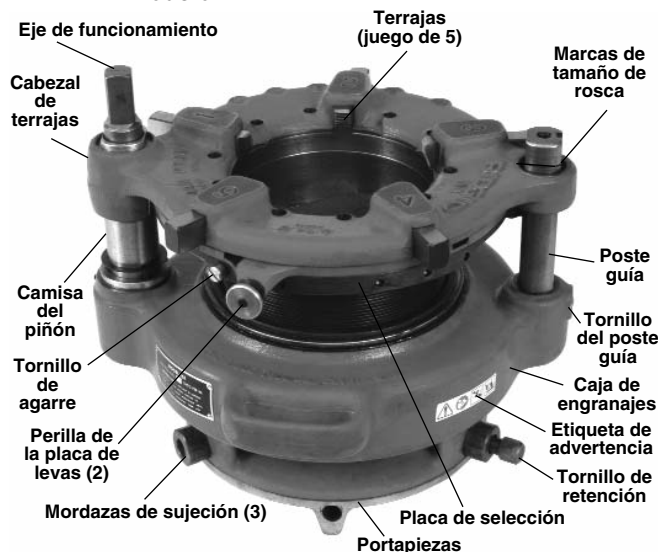


Figura 2 – Roscadora a engranajes con retroceso Modelo 161

Equipo estándar

Las roscadoras a engranajes con retroceso Modelo 141 y Modelo 161 se suministran con los siguientes artículos:

- Un juego de terrajas de alta velocidad
- Llave para la abrazadera portapiezas
- Manual del Operario

AVISO La selección de los materiales y del método de unión o junta apropiados es responsabilidad del diseñador y/o instalador del sistema. Antes de comenzar una insta-

lación se requiere efectuar una cuidadosa evaluación del ambiente de servicio imperante, que incluye las condiciones químicas y las temperaturas de funcionamiento.

Inspección previa a la operación

⚠ ADVERTENCIA

Antes de cada uso, inspeccione la roscadora a engranajes y corrija cualquier problema para reducir el riesgo de lesiones graves por choque de electricidad, aplastamiento y otras causas, y para proteger la máquina contra daños.

1. Si la roscadora a engranajes está conectada a una máquina roscadora o a una motopropulsora, asegure que el equipo esté desenchufado y que el interruptor direccional esté colocado en posición OFF (apagado).
2. Limpie el aceite, grasa y suciedad presentes en la roscadora a engranajes, incluyendo las manijas y controles. Esto facilita su inspección y ayuda a evitar que la herramienta o los controles se resbalen de sus manos. Si es necesario, limpie las mordazas de sujeción con un cepillo de alambre. Quite las virutas y astillas metálicas acumuladas en el cabezal de terrajas.
3. Inspeccione las roscadoras a engranajes para verificar lo siguiente:
 - Están bien ensambladas y completas.
 - No hay piezas rotas, dañadas, faltantes, mal colocadas o enredadas.
 - La etiqueta de advertencia está adherida y legible (vea las Figuras 1 y 2).
 - No existe ninguna condición que impide su funcionamiento seguro y normal.

Si se encuentra algún problema, no utilice la roscadora a engranajes hasta que se hayan solucionado las fallas.

4. Inspeccione los bordes cortantes de las terrajas para verificar que no estén deformados, desportillados o que presenten otros problemas. Los dispositivos de corte desafilados o dañados exigen mayor fuerza para funcionar, producen roscas de mala calidad y aumentan el riesgo de lesiones.
5. Si es necesario, lubrique la roscadora a engranajes conforme a las instrucciones de mantenimiento. Limpie el equipo con un paño para eliminar el exceso de lubricante.
6. Revise cualquier otro equipo que se use y hágale mantenimiento conforme a sus instrucciones para asegurar su buen funcionamiento.

Si está usando una máquina roscadora o motopulsora, asegure que el interruptor de pie esté conectado a la máquina y que el cordón y el interruptor estén en buenas condiciones. Presione el pedal del interruptor de pie para confirmar que funciona suavemente, sin atascarse.

No use máquinas roscadoras o motopulsoras que no funcionen bien.

Ajuste de las roscadoras a engranajes

⚠ ADVERTENCIA

Ajuste las roscadoras a engranajes según estos procedimientos, con el fin de reducir el riesgo de lesiones y ayudar a prevenir daños a la máquina.

Las roscadoras a engranajes con retroceso se pueden ajustar según el tamaño y el tipo de la rosca. La roscadora Modelo 141 puede roscar tubos de 2½", 3", 3½" y 4" con roscas NPT o BSPT. La roscadora Modelo 161 puede roscar tubos de 4", 4½", 5" y 6" con roscas NPT. Las roscadoras también se pueden ajustar para roscas rectas o cónicas.

Siempre corte una rosca de prueba después de ajustar las roscadoras a engranajes, para confirmar que el tamaño de la rosca sea el correcto.

Ajuste por tamaño de tubo

1. Coloque la roscadora a engranajes con el eje de funcionamiento/cabezal de terrajas orientados hacia arriba.
2. Jale las perillas de la placa de levas y haga rotar la placa de levas hasta el tamaño correcto para la tarea, según está marcado en la parte superior del cabezal de terrajas. Suelte las perillas para trabar el mecanismo.

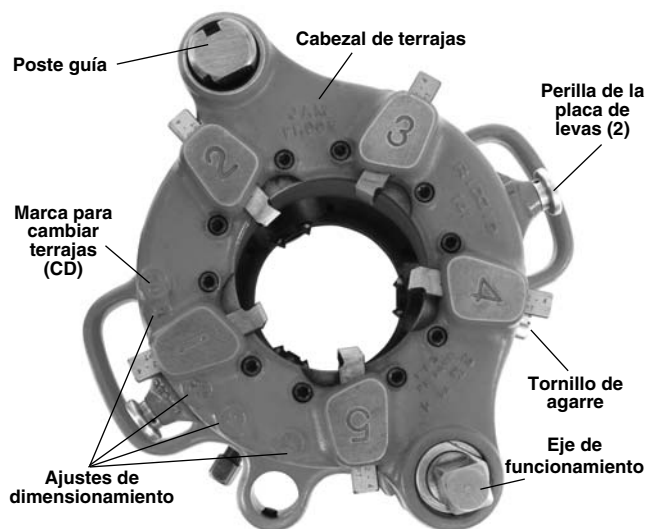


Figura 3 – Roscadora a engranajes con el eje de funcionamiento hacia arriba (se muestra el Modelo 141)

Ajuste del tamaño de rosca

Estando el eje de funcionamiento/cabezal de terrajas orientados hacia arriba, gire el eje de funcionamiento o la caja de engranajes a mano. Debe alinear el cabezal de terrajas con las correspondientes marcas de punto inicial en el poste guía o la camisa del piñón (vea la Figura 4). El tamaño de la rosca se debe fijar antes de cada rosca, para asegurar que el tamaño sea el adecuado.

- Rosca de tamaño estándar – instale la base del cabezal de terrajas al ras con la línea roja estándar en la camisa del piñón, o bien instale la superficie superior del cabezal de terrajas al ras con la línea central en el poste guía.
- Rosca sobredimensionada (diámetro mayor, menor número de vueltas del adaptador) – instale la superficie superior del cabezal de terrajas al ras con la línea de abajo en el poste guía. Esa línea está marcada "2T OVER" (dos vueltas por encima).
- Rosca subdimensionada (diámetro menor, mayor número de vueltas del adaptador) – instale la superficie superior del cabezal de terrajas al ras con la línea de arriba en el poste guía. Esa línea está marcada "2T UNDER" (dos vueltas por debajo).

La roscadora se puede ajustar a cualquier punto intermedio que se desee.

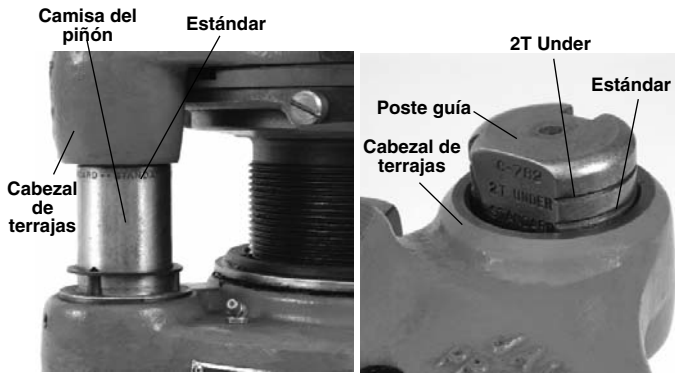


Figura 4 – Ajuste del tamaño de rosca – vistas ampliadas de la camisa del piñón y las marcas en el poste guía

Ajuste para roscas rectas o roscas cónicas

Las roscadoras a engranajes están fijadas en la fábrica para producir roscas cónicas (NPT o BSPT) y se pueden ajustar para cortar roscas rectas (NPSM o BSPP). Las roscas cónicas se cortan estando el bloque guía encajado en la ranura diagonal del poste guía. Las roscas rectas se cortan estando el bloque guía encajado en la ranura recta del poste guía.

1. Ajuste la roscadora a engranajes para que corte una rosca de tamaño estándar (*vea más arriba*).
2. Extraiga el tornillo de la caja de engranajes en la base del poste guía.
3. Jale el poste guía hacia arriba hasta que el bloque guía (unido a la placa de selección) se desenganche de la ranura en el poste guía.

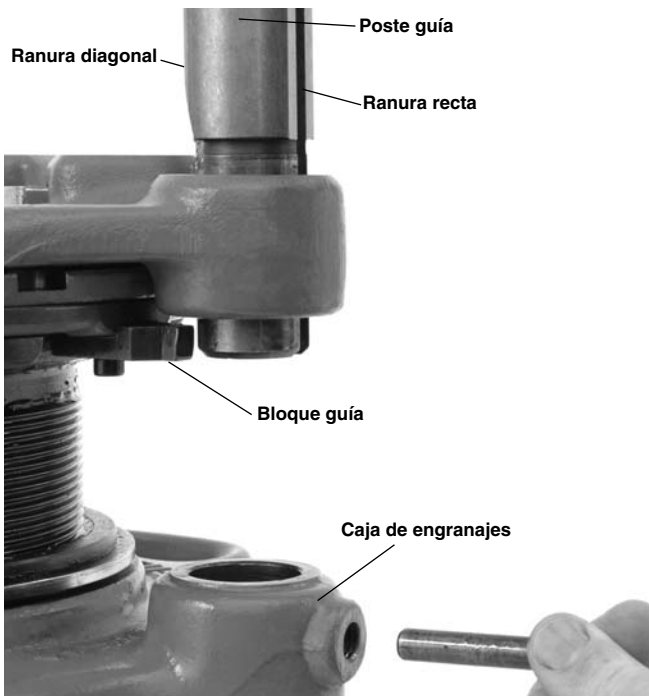


Figura 5 – Ajustes para cortar roscas rectas o cónicas

4. Gire el poste guía hasta que la ranura correspondiente (diagonal para roscas cónicas, recta para roscas rectas) esté orientada hacia adentro y alineada con el bloque guía.
5. Encaje el bloque guía en la ranura del poste guía. Empuje el poste guía hacia abajo para que encaje en la caja de engranajes.
6. Vuelva a colocar el tornillo en la caja de engranajes en la base del poste guía.

Cómo cambiar terrajas

Las roscadoras a engranajes tienen el número de roscas por pulgada colocado en la placa de características. El cilindro roscado para una roscadora a engranajes NPT tiene 8 roscas por pulgada; una roscadora a engranajes BSPT tiene 11 roscas por pulgada.

AVISO No use terrajas BSPT en una roscadora NPT, ni terrajas NPT en roscadora BSPT. Esto produce errores en las roscas y puede dañar las terrajas y/o las roscadoras a engranajes.

1. Coloque la roscadora a engranajes con el eje de funcionamiento/cabezal de terrajas orientados hacia arriba.
2. Extraiga el tornillo de agarre de la placa de selección (*Figura 3*).
3. Jale las perillas de la placa de levas hacia afuera y haga rotar la placa de levas hasta la marca "CD" en la parte superior del cabezal de terrajas.
4. Extraiga las terrajas del cabezal de terrajas.
5. Introduzca en las ranuras las terrajas que correspondan a la tarea. Los números en las terrajas (1 a 5) deben corresponder con los números sobre la ranura del cabezal de terrajas. Introduzca a fondo la terraja, con el número orientado hacia arriba.
6. Jale las perillas de la placa de levas y haga rotar la placa de levas hasta el tamaño correcto para la tarea, según está marcado en el cabezal de terrajas. Suelte las perillas para trabar el mecanismo.
7. Vuelva a colocar el tornillo de agarre en la placa de selección.

Puesta en marcha y operación

⚠ ADVERTENCIA



Siempre use protección para los ojos. Use calzado de puntera de acero para protegerse contra herramientas volcadas y tubos que se caen.

No use guantes ni ropa suelta. Mantenga abotonadas las chaquetas y las mangas. La ropa suelta se puede enredar en las piezas giratorias y causar lesiones por aplastamiento o golpes.

Mantenga las manos apartadas del tubo y piezas que giran. No estire el brazo por encima de la máquina o del tubo. Permita que la máquina se detenga por completo antes de tocar la máquina o el tubo, para evitar enganches y lesiones por aplastamiento o golpes.

Asegure que las roscadoras a engranajes estén bien acopladas a la máquina roscadora/eje de accionamiento. Las herramientas mal conectadas se pueden resbalar y caer, causando lesiones por aplastamiento o golpes.

No use un eje de accionamiento ni máquina roscadora sin un interruptor de pie que esté en buen estado de funcionamiento. Jamás trabe un interruptor de pie en la posición de "ON". Un interruptor de pie proporciona un mejor control de la máquina al permitirle detener el motor con tan solo soltar el pedal. Si usted se llegara a enganchar en la máquina y el motor sigue andando, la roscadora lo jalará hacia ella. Esta máquina tiene un elevador por torsión, por lo cual puede hacer que su ropa se le enrolle alrededor del brazo o de otra parte de su cuerpo, con fuerza suficiente para causar lesiones por aplastamiento y fractura de huesos, o causar lesiones por golpes o de otro tipo.

Una sola persona debe controlar el interruptor de pie y el trabajo. No deben operarse con más de una sola persona. Si se produce un enganche, el operario debe ser capaz de controlar el interruptor de pie.

La puesta en marcha y operación de la roscadora a engranajes deben hacerse conforme a estos procedimientos, para reducir el riesgo de lesiones producidas al volcarse la máquina, debidas a enganches, aplastamiento, golpes y otras causas, y para no dañar el equipo.

Las roscadoras a engranajes se pueden usar de diversas maneras; la diferencia principal es si el tubo está estacionario o si gira durante el enroscado.

Si el tubo se mantiene estacionario (agarrado con una prensa para tubos, por ejemplo), el extremo con el cabezal de terrajas gira alrededor del tubo durante el

roscado. El roscado se puede hacer a mano con un trinquete D-1440 o mediante un eje de transmisión universal 840A y una máquina roscadora. El uso de un eje de transmisión universal 840A también se denomina "montaje trasero".

Alternativamente, las roscadoras a engranajes con los accesorios apropiados se pueden impulsar mediante diversas máquinas roscadoras. En estos casos, el extremo con el cabezal de terrajas se mantiene estacionario y giran el mandril y el tubo. Este método también se denomina "montaje frontal" o "de acoplamiento directo".

Montaje de tubo estacionario

- Ubique una zona de trabajo donde:
 - Haya suficiente luz.
 - El suelo esté nivelado, despejado, estable y seco para el equipo y su operario.
 - Limpie la zona de trabajo antes de instalar cualquier equipo. Limpie la zona con un paño para eliminar aceites o líquidos.
 - Inspeccione el tubo que va a roscar y los acoplamientos correspondientes. Confirme que la roscadora a engranajes Modelo 141 o Modelo 161 es la máquina correcta para la tarea en cuestión. *Vea las Especificaciones.*
- El equipo de roscado para otras tareas se encuentra en el catálogo RIDGID en línea en www.RIDGID.com o en www.RIDGID.eu.
- Confirme que el equipo que se utilizará ha sido debidamente inspeccionado.
 - Asegure que el tubo a roscar esté bien montado, en forma estable. El tubo y sus soportes tienen que soportar el peso de la roscadora a engranajes y tolerar la fuerza y par de torsión exigidos para roscar, sin girar ni moverse. Cuando use una prensa de tornillo para fijar el tubo, asegure que tenga el tamaño adecuado y esté bien conectada para evitar que se vuelque durante el funcionamiento. Los tripiés deben estar apernados al suelo. Para tubos de mayor longitud, use soportatubos apropiados para apoyar el tubo.
 - Si usa un eje de transmisión universal 840A, la línea central del tubo debe coincidir con el nivel de la línea central del husillo de la máquina roscadora.
 - Confirme que el extremo del tubo esté cortado en ángulo recto y apropiadamente escariado y desbarbado. Los tubos mal preparados pueden desportillar las terrajas, aumentar la fuerza de roscado y producir roscas defectuosas.

8. Prepare la roscadora a engranajes para la tarea a realizar. Asegure que el cabezal de terrajas esté correctamente colocado para cortar una rosca del tamaño apropiado. Vea “Ajuste de las roscadoras a engranajes”.
9. Use el equipo apropiado para levantar la roscadora a engranajes y colocarla sobre el extremo del tubo, orientando un mandril del portaherramientas hacia arriba. Si se levanta a mano, por lo menos dos personas tienen que hacerlo, utilizando las manijas. Esté consciente del peso del equipo: el Modelo 141 pesa 93 libras (42 kg) y el Modelo 161 pesa 158 libras (73 kg). Cuidadosamente centre el extremo del tubo en la garganta de las terrajas y gire el portaherramientas para apretar las mordazas alrededor del tubo. Se puede introducir el extremo de una llave de dados en los agujeros de la placa para apretar las mordazas. No golpee la placa para apretar las mordazas, ya que esto la puede dañar. Use la llave de dados para apretar el tornillo de retención en la mordaza. Asegure que la roscadora a engranajes esté bien conectada al tubo, en forma estable (Figura 6).
10. Coloque un cubo aceitero 418 debajo de la roscadora a engranajes. Asegure que contenga cantidad suficiente de aceite de corte de roscas RIDGID.



Figura 6 – Cómo apretar el portaherramientas

Roscado con trinquete D-1440

1. Asegure que la roscadora a engranajes esté bien instalada para una operación con tubo estacionario.
2. Coloque el trinquete D-1440 en el extremo recto del eje de funcionamiento.

3. Adopte la postura correcta para trabajar. Debe tener los pies bien plantados y estar en una posición equilibrada. Para ejercer el máximo esfuerzo de palanca, use el peso de su cuerpo sobre la manija del trinquete. Asegure que la instalación sea estable.
4. Use el trinquete para girar el eje de funcionamiento. La rotación debe hacerse hacia la derecha, desde el punto de vista del extremo del tubo. Bañe las terrajas con aceite durante el roscado, para reducir el par de torsión del roscado, mejorar la calidad de las roscas y prolongar la vida útil de las terrajas.



Figura 7 – Funcionamiento con el trinquete D-1440

5. Siga atrincando hasta que el borde superior del cabezal de terrajas está al ras con la línea de paro (STOP) roja en la camisa del piñón (vea la Figura 8).

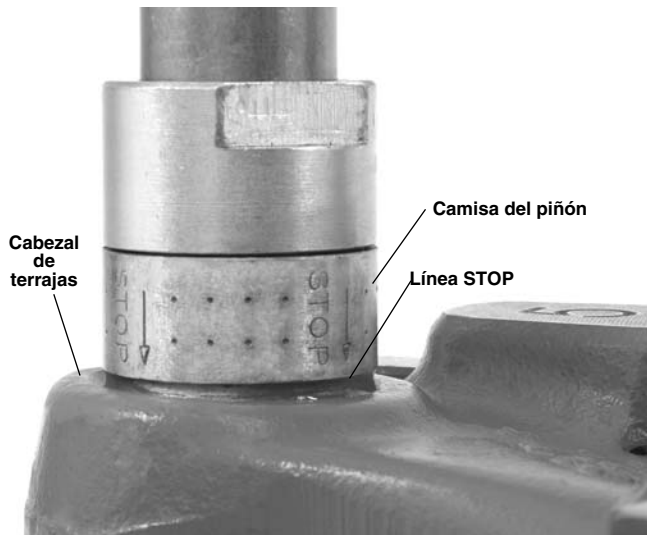


Figura 8 – Rosca completa – la parte superior del cabezal de terrajas está al ras con la línea STOP

6. Quite el trinquete y dé vuelta. Gire el eje de funcionamiento hacia la izquierda, para que el cabezal de terrajas suba aproximadamente una vuelta.
7. Jale las perillas de la placa de levas y haga rotar la placa de levas hacia la marca "CD" encima del cabezal de terrajas, para retraer las terrajas. Esto evita arrastrar las terrajas mientras se vuelve a colocar la roscadora a engranajes en la posición inicial.
8. Gire el eje de funcionamiento hacia la izquierda para devolver el cabezal de terrajas al punto inicial apropiado, para la rosca siguiente.
9. Cuidadosamente extraiga la roscadora a engranajes del tubo e inspeccione las roscas.

Roscado con eje de transmisión universal 840A (montaje trasero)

Si se usa el eje de transmisión universal 840A, las roscadoras a engranajes se pueden hacer funcionar con una motopropulsora 300/300A, máquinas roscadoras 535 y 1224.

No intente usar ninguna otra máquina roscadora para impulsar las roscadoras a engranajes con el eje de transmisión universal 840A. No use una máquina roscadora de mandril automático tal como la 535A. No use máquinas que no puedan rotar al revés.

1. Asegure que la roscadora a engranajes esté bien montada para funcionar con tubos estacionarios.
2. Asegure que la máquina roscadora esté desenchufada y que la palanca de interruptor FOR/OFF/REV esté colocada en OFF. Respete todas las advertencias e instrucciones para la máquina roscadora.

3. Coloque la máquina roscadora de manera que la línea central del husillo esté alineada con la línea central del tubo a roscar. El mandril trasero de la máquina roscadora debe estar frente al extremo a roscar del tubo.



Figura 9 – Protección en el eje de transmisión 840A y advertencia

4. Introduzca el extremo hexagonal del eje de transmisión universal 840A en el cabezal de centrado trasero de la máquina roscadora. Apriete bien el cabezal de centrado trasero y el mandril frontal sobre la parte plana del eje de transmisión universal. No haga la introducción desde el extremo frontal (del carro) de la máquina.
5. Haga el alineamiento de los equipos. Coloque el soquete cuadrado del eje de transmisión 840 A sobre el eje de funcionamiento de la roscadora a engranajes. Apriete bien los dos tornillos de montaje para asegurar la conexión. Asegure que las protecciones de las juntas del eje de transmisión universal estén colocadas y en buenas condiciones (vea la Figura 9).
6. Inspeccione la posición del husillo de deslizamiento en el eje de transmisión. Debe estar aproximadamente centrado para permitir su movimiento en ambos sentidos. Si es necesario, ajuste levemente la posición de la máquina roscadora. La línea central de la máquina roscadora debe estar alineada con la línea central del tubo. Si no están alineados, la máquina roscadora se podría volcar.

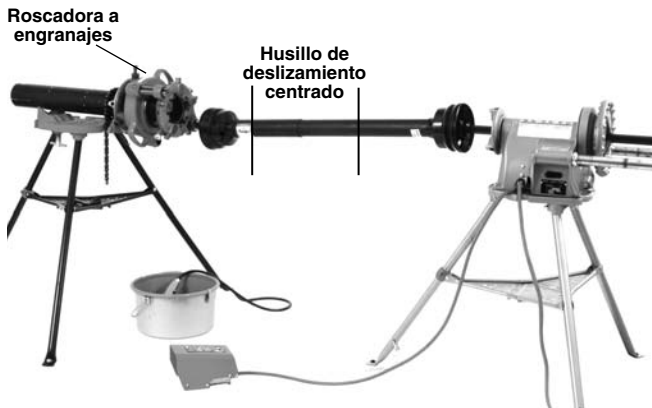


Figura 10 – Instalación con eje de transmisión universal

7. Si está usando una motopropulsora 300/300A, fíjela al suelo para impedir que se vuelque.
8. Coloque barricadas o barreras para crear un espacio libre de por lo menos un metro (tres pies) alrededor del equipo y el tubo. Esto impide que las personas ajenas a la tarea accidentalmente se topen con la máquina o el tubo y hagan que el equipo se vuelque o se enreden en las piezas giratorias.
9. Coloque el interruptor de pie en una posición que permita el buen funcionamiento. Con las manos secas, enchufe la máquina roscadora y coloque el interruptor de la máquina roscadora en posición REV.
10. Adopte la postura correcta par trabajar de tal modo que pueda controlar la máquina y el proceso (vea la Figura 11).
 - Párese al lado del interruptor FOR/OFF/REV de la máquina roscadora, con acceso al interruptor.
 - Asegure que pueda controlar el interruptor de pedal. Todavía no lo oprima con el pie.
 - Asegure que tenga buen equilibrio y no tenga que extenderse para alcanzar algo. Asegure que esté apartado del eje de funcionamiento.

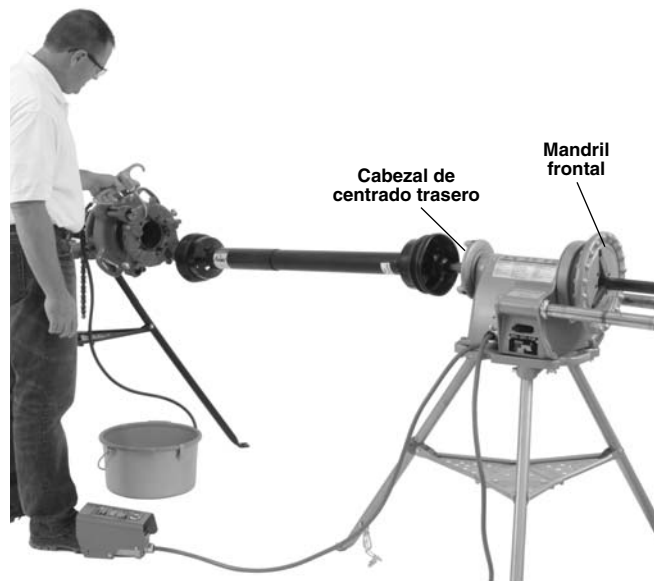


Figura 11 – Roscado con el eje de funcionamiento universal

11. Oprima el interruptor de pie para empezar a roscar. Bañe las terrajas con aceite, para reducir el par de torsión del roscado, mejorar la calidad de las roscas y prolongar la vida útil de las terrajas. El eje de funcionamiento de la roscadora a engranajes rotará alrededor del tubo a medida que labra las roscas, así que prepárese para el movimiento del eje de funcionamiento. Si tiene algún problema, retire el pie del pedal.
12. Siga roscando hasta que el borde del cabezal de terrajas esté al ras con la línea de paro roja en la camisa del piñón (Figura 8). Suelte el interruptor de pie. Si se sigue roscando más allá de la línea de paro roja, se desconecta el eje del piñón, para que el mecanismo no se atasque. No mantenga el funcionamiento cuando el eje del piñón está desconectado, ya que con el tiempo esto puede dañar el equipo.
13. Coloque el interruptor FOR/OFF/REV en la posición FOR (adelante). Vuelva a la posición de operación y pise el interruptor de pie para que el cabezal de terrajas se retraiga en aproximadamente una vuelta. Suelte el pedal y coloque el interruptor FOR/OFF/REV en posición OFF.
14. Jale las perillas de la placa de levas hacia afuera y haga rotar la placa de levas hasta la marca "CD" en la parte superior del cabezal de terrajas, para retraer las terrajas. Esto evita arrastrar las terrajas mientras se vuelve a colocar la roscadora a engranajes en la posición inicial.
15. Coloque el interruptor FOR/OFF/REV en la posición FOR (adelante). Vuelva a la posición de operación y

pise el interruptor de pie para girar el cabezal de terrajas hasta el punto inicial apropiado para labrar la siguiente rosca.

- Quite el pie del pedal. Coloque el interruptor FOR/OFF/REV en la posición OFF y desenchufe la máquina roscadora.

AVISO Si el portaherramientas se desenrosca del cilindro roscado, NO intente reconectar la rosca con el motor andando. Esto podría dañar la roscadora. Separe la roscadora a engranajes del tubo y vuelva a conectar a mano.

Cuidadosamente desmonte el eje de funcionamiento universal y la roscadora a engranajes del tubo. Inspeccione la rosca.

Montaje de tubo giratorio (montaje frontal/acoplado directo)

- Ubique una zona de trabajo donde:
 - Haya suficiente luz.
 - El suelo esté nivelado, estable y seco para todo el equipo y su operario.
- Limpie la zona de trabajo antes de instalar cualquier equipo. Limpie la zona con un paño para eliminar aceites o líquidos.
- Inspeccione el tubo que va a roscar y los acoplamientos correspondientes. Confirme que la roscadora a engranajes Modelo 141 o Modelo 161 es la máquina correcta para la tarea en cuestión. *Vea las Especificaciones.*

El equipo de roscado para otras tareas se encuentra en el catálogo RIDGID en línea en www.RIDGID.com o en www.RIDGID.eu.

- Confirme que el equipo que se utilizará ha sido debidamente inspeccionado.
- Instale la máquina en un lugar despejado y nivelado, seleccionado para la zona de trabajo conforme a las instrucciones de la máquina roscadora. Verifique la estabilidad de la máquina y el soporte. Asegure que la máquina esté desenchufada y que el interruptor FOR/OFF/REV esté en posición OFF. Si está usando la motopropulsora 300/300A, saque de los brazos de soporte el carro, cabezal de terrajas, escariador y cortador. Si está usando una máquina roscadora, quite el cabezal de terrajas del carro, levante y aleje el cortador y escariador, y aleje el carro para apartarlo del mandril.

- Abra el mandril frontal completamente y el dispositivo de centrado trasero en la máquina.
- Ajuste apropiadamente la roscadora a engranajes según la tarea que va a efectuar. Asegure que el cabezal de terrajas esté correctamente colocado para labrar una rosca de tamaño apropiado. *Vea "Ajuste de las roscadoras a engranajes".*
- Estando el eje de funcionamiento de la roscadora a engranajes levantado, conecte la barra de tracción 844 y ajuste bien los dos tornillos de montaje para trabar el acoplamiento (*vea la Figura 15*). Si está usando la máquina 535A, no conecte la barra de tracción en este momento.

Montaje de la motopropulsora 300/300A acoplada directamente a la roscadora a engranajes 141/161

- Afloje el ensamble del anillo de retención en las barras de soporte y retraiga completamente las barras de soporte dentro de la caja de la motopropulsora.
- Use el equipo apropiado para levantar la roscadora a engranajes y colóquela sobre el extremo del tubo, con un mandril del portaherramientas orientado hacia arriba. Si se levanta a mano, por lo menos dos personas tienen que hacerlo, utilizando las manijas. Esté consciente del peso del equipo: el Modelo 141 pesa 93 libras (42 kg) y el Modelo 161 pesa 158 libras (72 kg). Deje expuesta una longitud de unas $\frac{3}{4}$ " (19 mm) de la barra de tracción frente al mandril para dejar espacio suficiente para colocar aceite (*Figura 12*). Apriete las piezas del mandril en las tres escotaduras en forma de "V" en el cabezal de la barra de tracción. Cierre el cabezal de centrado trasero sobre la barra de tracción. Asegure la estabilidad y seguridad de la roscadora a engranajes y la motopropulsora.

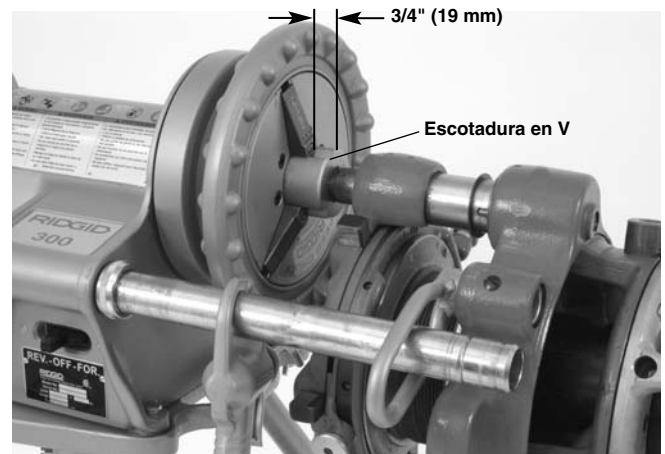


Figura 12 – Colocación de la barra de tracción dejando espacio para el aceitado

3. **Modelo 141** – Afloje el tornillo de montaje en el saliente de conexión de la roscadora a engranajes. Instale el bucle 758 en el saliente y apriete el tornillo de montaje para fijar el bucle. Jale hacia adelante la barra de apoyo del lado del interruptor para que pase a través del bucle 758. Trabe la barra con el ensamble de anillo de retención (*Figura 13*).

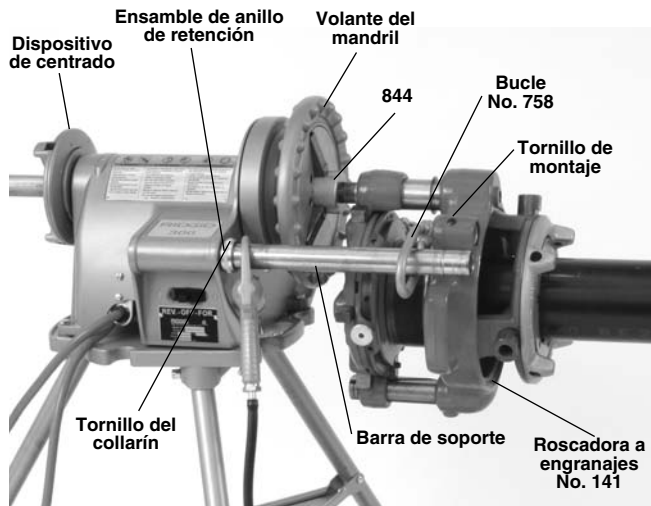


Figura 13 – Roscadora a engranajes Modelo 141 unida directamente a la motopropulsora

Modelo 161 – Quite el tornillo de montaje (tapón) del poste guía de la roscadora. Coloque los brazos de soporte 346 dentro de los extremos de los brazos de soporte de la motopropulsora. Tire de los brazos de soporte de la motopropulsora para que los extremos de los brazos de soporte 346 estén alineados con el extremo del poste guía de la roscadora 161; trabe la conexión con un perno y una arandela. Apriete los ensambles de anillo de retención sobre los brazos de apoyo en la motopropulsora, para fijar su posición (*Figura 14*).

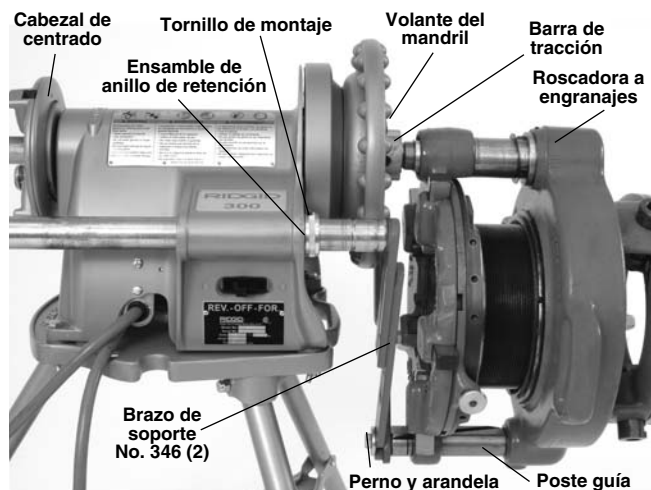


Figura 14 – Roscadora a engranajes Modelo 161 unida directamente a la motopropulsora

Montaje de la máquina 535, 300 compacta o 1233 acoplada directamente a la roscadora a engranajes 141

Este método también se puede usar con las motopropulsoras 300 y 300A cuando están equipadas con un carro. No use roscadoras a engranajes con máquinas colocadas en soportes plegables. El soporte debe estar en buenas condiciones.

1. Afloje el tornillo de montaje en el saliente de conexión de la roscadora a engranajes. Instale el bucle 768 en el saliente y apriete el tornillo de montaje para trabar la conexión (*Figura 15*). No apriete excesivamente – el bucle debe rotar libremente.
2. Si está usando una máquina 535M con el carro de espacio libre alto, coloque la montura niveladora sobre el carro como se muestra en la *Figura 16*.
3. Use el equipo apropiado para levantar y colocar la roscadora a engranajes. Si se levanta a mano, por lo menos dos personas tienen que hacerlo, utilizando las manijas. Esté consciente del peso del equipo: el Modelo 141 pesa 93 libras (42 kg) y el Modelo 161 pesa 158 libras (72 kg). Deje expuesta una longitud de unas 3/4" (19 mm) de la barra de tracción frente al mandril para dejar espacio suficiente para colocar aceite (*Figura 12*). Apriete bien las piezas del mandril en las tres escotaduras en forma de "V" en el cabezal de la barra de tracción. Cierre el cabezal de centrado trasero sobre la barra de tracción. Asegure la estabilidad y seguridad de la roscadora a engranajes y la motopropulsora.

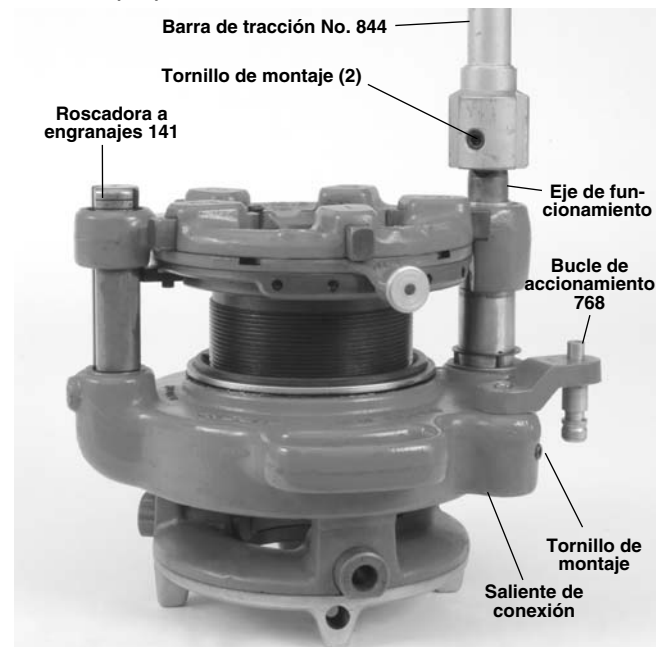


Figura 15 – Barra de tracción 844 y bucle de accionamiento 768, instalados

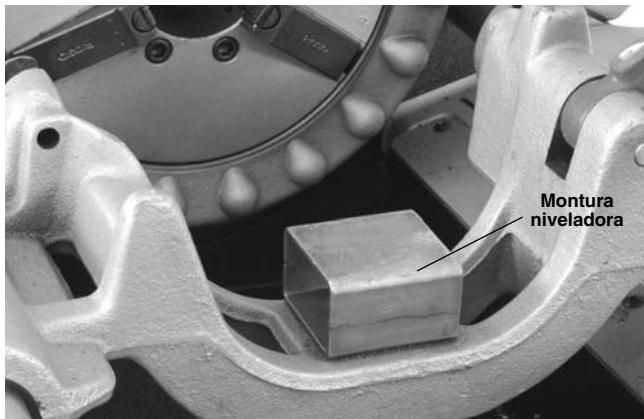


Figura 16 – Montura en el carro 535

- Coloque el poste del bucle de accionamiento 768 alineado con el agujero de montaje del cabezal de terrajas en el carro. Mueva el carro para permitir la inserción total. Apriete el tornillo de montaje del bucle, para trabar la conexión. Asegure la estabilidad y seguridad de la roscadora a engranajes y máquina roscadora (Figura 17).
- En máquinas dotadas de sistemas de aceitado, instale la boquilla flexible de la aceitera sobre el bucle y coloque el tubo de manera tal que la boquilla aplique aceite entre el peine 1 y el peine 2.



Figura 17 – Roscadora a engranajes acoplada directamente a la máquina 535

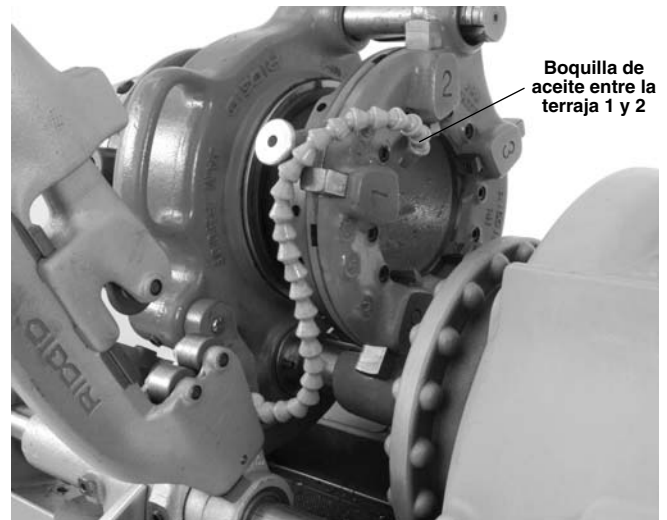


Figura 18 – Recorrido del tubo flexible para el aceitado

Montaje de la máquina 535A acoplada directamente a la roscadora a engranajes 141

- Coloque la montura niveladora sobre el carro como se muestra en la Figura 16.
- Instale el tubo aceitero flexible sobre el bucle de accionamiento 768.
- Afloje el tornillo de montaje en el saliente de conexión de la roscadora a engranajes.
- Desde la parte de atrás de la máquina, instale la barra de tracción a través del husillo hasta la tapa (la mordaza tiene que estar completamente abierta). Se exige rotar la barra de tracción hacia la izquierda.
- Usando el equipo apropiado o mediante por lo menos dos personas, levante la roscadora a engranajes y colóquela sobre la montura niveladora, estando el eje de funcionamiento de la roscadora a engranajes alineado con el eje de funcionamiento de la máquina roscadora.
- Introduzca a fondo el bucle de accionamiento dentro del saliente de conexión de la roscadora a engranajes y el agujero de montaje del cabezal de terrajas en el carro.
- Desde la parte de atrás de la máquina roscadora, haga rotar y empuje la barra de tracción sobre el eje de funcionamiento cuadrado de la roscadora a engranajes. Apriete bien los dos tornillos de montaje para trabar la conexión. Apriete el tornillo de montaje del bucle de accionamiento.
- Haga girar el volante del carro hasta que la roscadora a engranajes esté a una pulgada (25 mm) de la tapa frontal del mandril.

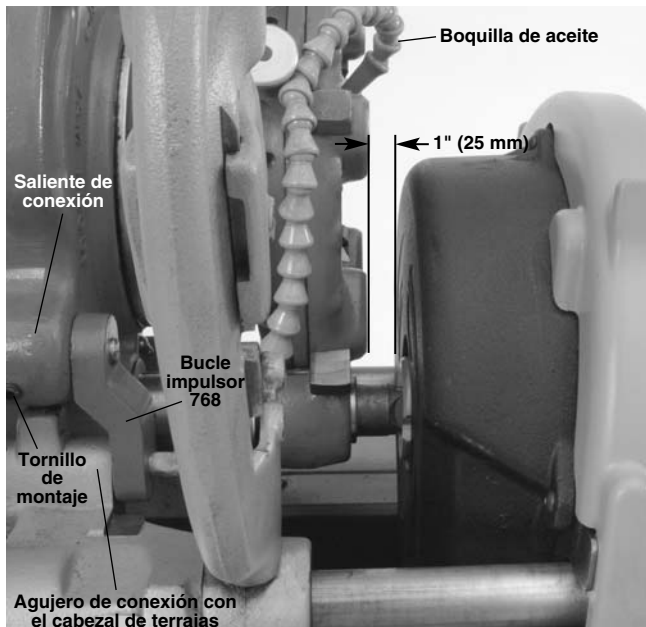


Figura 19 – Roscadora 141 acoplada directamente a la máquina roscadora 535 A

Roscado con una roscadora a engranajes de acoplamiento directo (montaje frontal)

1. Confirme que el equipo esté bien instalado.
2. Confirme que el extremo del tubo esté cortado en ángulo recto y apropiadamente escariado y desbarbado. Los tubos mal preparados pueden desportillar las terrajas, aumentar la fuerza de roscado y producir roscas defectuosas.
3. Apoye el tubo sobre soportes para evitar que el tubo y la máquina roscadora se vuelquen o se caigan. Coloque los soportatubos en línea con el portapiezas. Los tubos más largos podrían exigir varios soportes. Use solamente soportes diseñados para tubos. El uso de soportes inadecuados o el apoyo manual del tubo pueden causar lesiones por volcamiento o enganches.
4. Cuidadosamente introduzca y centre el extremo del tubo en la garganta de las terrajas y gire el portaherramientas para apretar las mordazas alrededor del tubo. Se puede introducir el extremo de una llave de dados en los agujeros de la placa para apretar las mordazas. No golpee la placa para apretar las mordazas, ya que esto la puede dañar. Use la llave de dados para apretar el tornillo de retención en la mordaza. Asegure que la roscadora a engranajes esté bien conectada al tubo, en forma estable y bien alineada (Figura 20).

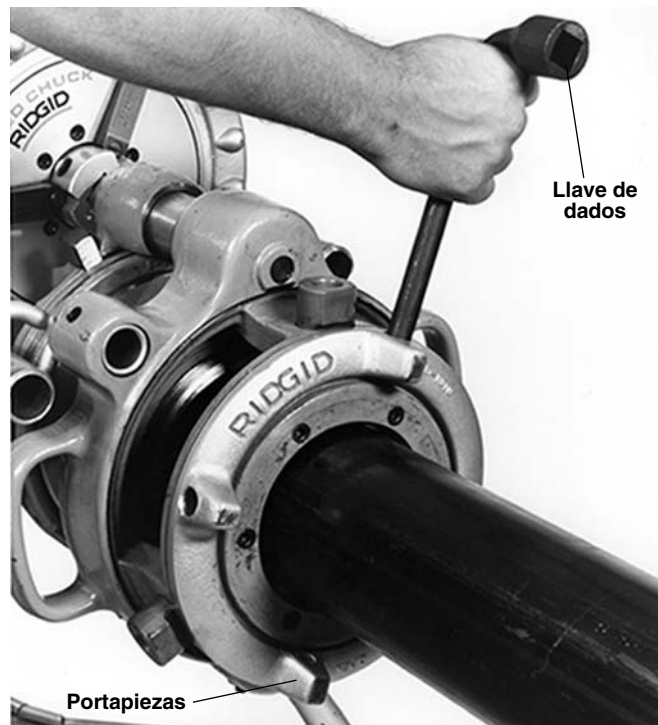


Figura 20 – Cómo apretar el portapiezas

5. Si usa una motopropulsora 300, coloque un cubo aceitero 418 debajo de la roscadora a engranajes. Si usa una motopropulsora 300A o una máquina roscadora, coloque el tubo de aceite de manera que la boquilla aplique aceite entre el peine 1 y 2 (Figura 18). Gire la válvula de la boquilla de la aceitera para abrirla (posición ON).
6. Coloque barricadas o barreras para crear un espacio libre de por lo menos un metro (tres pies) alrededor del equipo y el tubo. Esto impide que las personas ajenas a la tarea accidentalmente se topen con la máquina o el tubo y hagan que el equipo se vuelque o se enreden en las piezas giratorias.
7. Coloque el interruptor de pie en una posición que permita el buen funcionamiento. Con las manos secas, enchufe la máquina roscadora y coloque el interruptor de la máquina roscadora en posición FOR (adelante).
8. Adopte la postura correcta par trabajar de tal modo que pueda controlar la máquina y el proceso (Figura 21).
 - Párese al lado del interruptor FOR/OFF/REV de la máquina roscadora, con acceso al interruptor.
 - Asegure que pueda controlar el interruptor de pie. Todavía no oprima el pedal.
 - Asegure que tenga buen equilibrio y no tenga que extenderse para alcanzar algo.

- Presione el interruptor de pie para empezar a roscar. Bañe las terrajas con aceite para reducir el par de torsión del roscado, mejorar la calidad de las roscas y prolongar la vida útil de las terrajas (Figura 21).



Figura 21 – Posición de operación (método de acoplamiento directo)

- Siga roscando hasta que el borde del cabezal de terrajas esté al ras con la línea de paro roja en la camisa del piñón (Figura 5). Suelte el interruptor de pie. Si se sigue roscando más allá de la línea de paro roja, se desconecta el eje del piñón, para que el mecanismo no se atasque. No mantenga el funcionamiento cuando el eje del piñón está desconectado, ya que con el tiempo esto puede dañar el equipo.
- Coloque el interruptor FOR/OFF/REV en la posición REV (reversa). Vuelva a la posición de operación y pise el interruptor de pie para que el cabezal de terrajas se retraiga en aproximadamente una vuelta. Suelte el pedal y coloque el interruptor FOR/OFF/REV en posición OFF.
- Jale las perillas de la placa de levas hacia afuera y haga rotar la placa de levas hasta la marca "CD" en la parte superior del cabezal de terrajas, para retraer las terrajas. Esto evita arrastrar las terrajas mientras se vuelve a colocar la roscadora a engranajes en la posición inicial.
- Coloque el interruptor FOR/OFF/REV en la posición REV (reversa). Vuelva a la posición de operación y

pise el interruptor de pie para colocar el cabezal de terrajas en el punto inicial apropiado para labrar la siguiente rosca.

- Quite el pie del pedal. Coloque el interruptor FOR/OFF/REV en la posición OFF y desenchufe la máquina roscadora.
- Si el portapiezas está desenroscado del cilindro roscado, **NO INTENTE** reconectar la rosca con el motor andando. Saque la roscadora a engranajes de la máquina y manualmente haga la conexión.
- Cuidadosamente extraiga el tubo de la roscadora a engranajes y haga la inspección.

Inspección de roscas

- Quite el aceite, virutas o residuos de la rosca.
- Haga la inspección visual de las roscas. Las roscas deben verse lisas, completas y bien formadas. Si se observan problemas tales como roscas rotas, onduladas, o delgadas, o el tubo está ovalado, es posible que la rosca no forme un sello hermético en una conexión, especialmente en sistemas a presión. Consulte la tabla de "Resolución de problemas" para diagnosticar estas fallas.
- Inspeccione el tamaño de la rosca. El método preferido para revisar el tamaño de la rosca es mediante un calibrador anular. Hay calibradores anulares de diversos estilos; su uso puede ser diferente a lo que aquí se describe.
 - Enrosque el calibrador anular en la rosca y apriete la conexión con la mano.
 - Observe el extremo del tubo y vea cuánto se asoma más allá del calibrador anular. El extremo del tubo debe quedar al ras con el borde del calibrador, más/menos una vuelta (Figura 22). Si la rosca no mide lo que corresponde, corte el tubo para eliminar la rosca, ajuste el cabezal de terrajas y corte otra rosca. El uso de una rosca que no cumple con la medición correcta puede causar fugas.
 - Si no dispone de un calibrador anular para verificar el tamaño de la rosca, se puede usar en su lugar un acoplamiento o tubo de unión limpio, nuevo y representativo de los que se están empleando en la obra. La rosca del tubo debe labrarse para lograr:

$2\frac{1}{2}$ " a 4" NPT	Con $5\frac{1}{2}$ a $6\frac{3}{4}$ vueltas se logra apretar la conexión a mano con el acoplamiento.
---------------------------	--

4" a 6" NPT Con 6³/₄ a 7³/₄ vueltas se logra apretar la conexión a mano con el acoplamiento.

2¹/₂" a 4" BSPT Con 4 a 4¹/₂ vueltas se logra apretar la conexión a mano con el acoplamiento.

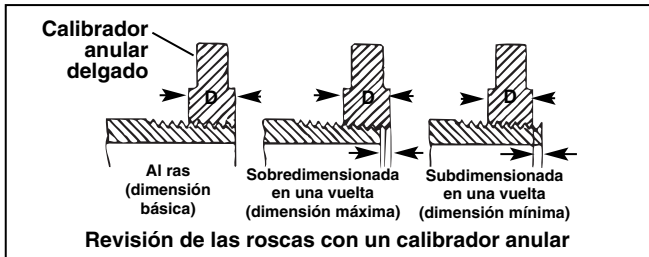


Figura 22 – Revisión del tamaño de la rosca

- Pruebe el sistema conforme a los códigos locales y prácticas normales.

Instrucciones de mantenimiento

⚠ ADVERTENCIA

Haga la mantención de las roscadoras a engranajes conforme a estos procedimientos para reducir el riesgo de lesiones.

Limpieza

Después de cada uso, limpie las roscadoras a engranajes para eliminar virutas y residuos; quite el aceite de roscado con un paño.

Use un cepillo de alambre para limpiar las mordazas del portapiezas, con el fin de eliminar la acumulación de incrustaciones de tubos, etc.

Lubricación

Una vez al mes (o más seguido, si es necesario):

- Lubrique todas las partes móviles expuestas, con un aceite lubricante liviano. Con un paño, quite el exceso de aceite de las superficies expuestas.
- Lubrique la roscadora con una grasa basada en litio y de uso general, en el acoplamiento de engrase (en la caja de engranajes cerca del eje de funcionamiento).

Accesorios

⚠ ADVERTENCIA

Para reducir el riesgo de lesiones graves, use solamente accesorios específicamente diseñados y recomendados para las roscadoras a engranajes con retroceso Modelo 141 y Modelo 161, tales como

los que se nombran en la lista siguiente. El uso de otros accesorios apropiados para otras herramientas podría ser peligroso con las roscadoras a engranajes con retroceso 141 y 161.

No. en el catálogo	Modelo No.	Descripción
39380	D-1440	Trinquete y mango
96725	—	Estuche metálico para las roscadoras a engranajes 141
41620	—	Grasa para el motor del cabezal de engranajes
42505	46	Soporte ajustable para tuberías
61122	840A	Eje de transmisión universal
19366	758	Bucle (141 con motopropulsora 300/300A)
40005	346	Brazos de soporte (161 con motopropulsora 300/300A)
42405	844	Barra de tracción
42415	768	Ensamble del mecanismo impulsor
97882*	—	Juego 141 con mandril automático 535 y carro de espacio libre alto
16723*	—	Juego 141 con mandril manual 535 y carro de espacio libre alto

Puede encontrar información adicional específica para esta herramienta en el catálogo RIDGID y en línea en www.RIDGID.com.

Información sobre el aceite de corte

Lea y respete todas las instrucciones en la etiqueta del aceite de corte y en la Hoja de Seguridad de Materiales (MSDS). Sobre el recipiente y en la hoja MSDS aparece información específica acerca de los aceites de corte de RIDGID, que incluye información sobre peligros, primeros auxilios, combate de incendios, medidas para limpiar derrames del material, manipulación y almacenamiento, equipo de protección personal, eliminación y transporte. La hoja MSDS está disponible en www.RIDGID.com o puede solicitarla a través del Departamento de Servicio Técnico de RIDGID al (800) 519-3456 en EE. UU. y Canadá, o en rtctechservices@emerson.com.

Almacenamiento de la máquina

AVISO Las roscadoras a engranajes con retroceso deben guardarse bajo techo o bien cubiertas si están a la intemperie para guarecerlas de la lluvia. Almacene las roscadoras en un lugar bajo llave, fuera del alcance de los niños y personas que no están familiarizadas con las máquinas roscadoras. Esta máquina puede causar graves lesiones en manos de usuarios no capacitados.

Servicio y reparaciones

⚠️ ADVERTENCIA

La máquina se toma insegura cuando el servicio o la reparación se hacen en forma indebida.

Las "Instrucciones de mantenimiento" abarcan la mayoría de los servicios que necesita esta máquina. Cualquier problema que no haya sido tratado en esta sección debe ser resuelto únicamente por un técnico autorizado de RIDGID.

La máquina debe llevarse a un Servicentro Autorizado Independiente de RIDGID o devuelta a la fábrica.

Si necesita información sobre su Servicentro Autorizado Independiente de RIDGID más cercano o si tiene preguntas sobre el servicio o reparación:

- Comuníquese con el distribuidor RIDGID en su localidad.

- Visite www.RIDGID.com o www.RIDGID.eu para averiguar dónde se encuentran los centros autorizados de RIDGID más cercanos.
- Comuníquese con el Departamento de Servicio Técnico de RIDGID en rttechservices@emerson.com, o llame por teléfono desde EE. UU. o Canadá al (800) 519-3456.

Eliminación de la máquina

Las piezas de las roscadoras a engranajes contienen materiales valiosos y se pueden reciclar. Hay compañías locales que se especializan en el reciclaje. Deseche los componentes de acuerdo con todos los reglamentos correspondientes. Para más información sobre la eliminación de desechos, comuníquese con la agencia local de eliminación de residuos.

Resolución de problemas

SÍNTOMA	POSIBLE RAZÓN	SOLUCIÓN
Roscas dañadas o rotas.	Terrajas dañadas, desportilladas o desgastadas. Aceite de corte incorrecto. Aceite de corte insuficiente. Aceite sucio o contaminado. El cabezal de terrajas no está bien alineado con el tubo. Tubo incorrecto.	Reemplace las terrajas. Use solamente aceite de corte RIDGID®. Bañe las terrajas con aceite durante su uso. Reemplace el aceite de corte RIDGID®. Asegure que la roscadora esté bien alineada con el tubo. Se recomienda el empleo de tubos de acero negro o galvanizado. Pared del tubo muy delgada; emplee tubos de Serie 40 o más gruesos.
Roscas ovaladas o aplastadas.	El cabezal de terrajas está mal configurado. La máquina está girando al revés.	Ajuste el cabezal de terrajas para que labre el tamaño de rosca correcto. Revise y corrija la dirección de la rotación.
Roscas angostas.	Cabezal de terrajas subdimensionado Pared del tubo demasiado delgada.	Ajuste el cabezal de terrajas para que labre el tamaño de rosca correcto. Emplee tubos de Serie 40 o más gruesos.
Roscas angostas.	Terrajas colocadas en el cabezal en orden equivocado. El portapiezas está flojo sobre el cilindro roscado.	Coloque las terrajas en la posición correcta en el cabezal. Apriete el portapiezas sobre el cilindro roscado.
El tubo se resbala en la mordaza.	Las piezas de inserción de la mordaza están cargadas de residuos. Las piezas de inserción de la mordaza están desgastadas. El tubo no está centrado en la mordaza. El portapiezas no está apretado.	Limpie las piezas de inserción de la mordaza con un cepillo de alambre. Reemplace las piezas. Centre el tubo en la mordaza. Apriete el tornillo de retención del portapiezas.
La roscadora no gira.	El eje del piñón no está encajado.	No rosque más allá de la línea de paro roja.

What is covered

RIDGID® tools are warranted to be free of defects in workmanship and material.

How long coverage lasts

This warranty lasts for the lifetime of the RIDGID® tool. Warranty coverage ends when the product becomes unusable for reasons other than defects in workmanship or material.

How you can get service

To obtain the benefit of this warranty, deliver via prepaid transportation the complete product to RIDGE TOOL COMPANY, Elyria, Ohio, or any authorized RIDGID® INDEPENDENT SERVICE CENTER. Pipe wrenches and other hand tools should be returned to the place of purchase.

What we will do to correct problems

Warranted products will be repaired or replaced, at RIDGE TOOL'S option, and returned at no charge; or, if after three attempts to repair or replace during the warranty period the product is still defective, you can elect to receive a full refund of your purchase price.

What is not covered

Failures due to misuse, abuse or normal wear and tear are not covered by this warranty. RIDGE TOOL shall not be responsible for any incidental or consequential damages.

How local law relates to the warranty

Some states do not allow the exclusion or limitation of incidental or consequential damages, so the above limitation or exclusion may not apply to you. This warranty gives you specific rights, and you may also have other rights, which vary, from state to state, province to province, or country to country.

No other express warranty applies

This FULL LIFETIME WARRANTY is the sole and exclusive warranty for RIDGID® products. No employee, agent, dealer, or other person is authorized to alter this warranty or make any other warranty on behalf of the RIDGE TOOL COMPANY.



Parts are available online at RIDGIDParts.com

**Ridge Tool Company**

400 Clark Street
Elyria, Ohio 44035-6001
U.S.A.

We
Build
Reputations™

RIDGID


EMERSON
Commercial & Residential Solutions

Ce qui est couvert

Les outils RIDGID® sont garantis contre tous vices de matériaux et de main d'oeuvre.

Durée de couverture

Cette garantie est applicable durant la vie entière de l'outil RIDGID®. La couverture cesse dès lors que le produit devient inutilisable pour raisons autres que des vices de matériaux ou de main d'oeuvre.

Pour invoquer la garantie

Pour toutes réparations au titre de la garantie, il convient d'expédier le produit complet en port payé à la RIDGE TOOL COMPANY, Elyria, Ohio, ou bien le remettre à un réparateur RIDGID® agréé. Les clés à pipe et autres outils à main doivent être ramenés au lieu d'achat.

Ce que nous ferons pour résoudre le problème

Les produits sous garantie seront à la discrétion de RIDGE TOOL, soit réparés ou remplacés, puis réexpédiés gratuitement ; ou si, après trois tentatives de réparation ou de remplacement durant la période de validité de la garantie le produit s'avère toujours défectueux, vous aurez l'option de demander le remboursement intégral de son prix d'achat.

Ce qui n'est pas couvert

Les défaillances dues au mauvais emploi, à l'abus ou à l'usure normale ne sont pas couvertes par cette garantie. RIDGE TOOL ne sera tenue responsable d'aucuns dommages directs ou indirects.

L'influence de la législation locale sur la garantie

Puisque certaines législations locales interdisent l'exclusion des dommages directs ou indirects, il se peut que la limitation ou exclusion ci-dessus ne vous soit pas applicable. Cette garantie vous donne des droits spécifiques qui peuvent être éventuellement complétés par d'autres droits prévus par votre législation locale.

Il n'existe aucune autre garantie expresse

Cette GARANTIE PERPETUELLE INTEGRALE est la seule et unique garantie couvrant les produits RIDGID®. Aucun employé, agent, distributeur ou tiers n'est autorisé à modifier cette garantie ou à offrir une garantie supplémentaire au nom de la RIDGE TOOL COMPANY.

Qué cubre

Las herramientas RIDGID® están garantizadas contra defectos de la mano de obra y de los materiales empleados en su fabricación.

Duración de la cobertura

Esta garantía cubre a la herramienta RIDGID® durante toda su vida útil. La cobertura de la garantía caduca cuando el producto se torna inservible por razones distintas a las de defectos en la mano de obra o en los materiales.

Cómo obtener servicio

Para obtener los beneficios de esta garantía, envíe mediante porte pagado, la totalidad del producto a RIDGE TOOL COMPANY, en Elyria, Ohio, o a cualquier Servicentro Independiente RIDGID. Las llaves para tubos y demás herramientas de mano deben devolverse a la tienda donde se adquirieron.

Lo que hacemos para corregir el problema

El producto bajo garantía será reparado o reemplazado por otro, a discreción de RIDGE TOOL, y devuelto sin costo; o, si aún resulta defectuoso después de haber sido reparado o sustituido tres veces durante el período de su garantía, Ud. puede optar por recibir un reembolso por el valor total de su compra.

Lo que no está cubierto

Esta garantía no cubre fallas debido al mal uso, abuso o desgaste normal. RIDGE TOOL no se hace responsable de daño incidental o consiguiente alguno.

Relación entre la garantía y las leyes locales

Algunos estados de los EE.UU. no permiten la exclusión o restricción referente a daños incidentales o consiguientes. Por lo tanto, puede que la limitación o restricción mencionada anteriormente no rija para Ud. Esta garantía le otorga derechos específicos, y puede que, además, Ud tenga otros derechos, los cuales varían de estado a estado, provincia a provincia o país a país.

No rige ninguna otra garantía expresa

Esta GARANTIA VITALICIA es la única y exclusiva garantía para los productos RIDGID®. Ningún empleado, agente, distribuidor u otra persona está autorizado para modificar esta garantía u ofrecer cualquier otra garantía en nombre de RIDGE TOOL COMPANY.

EMERSON. CONSIDER IT SOLVED.™