

# Force Flood ECO

## FFP120

- Ceramic E27 lamp holder
- Complete with 120 watt PAR38 lamp
- Base suitable for 66mm round junction box



### Performance

CCT	2900K
CRI	100
Operating Temperature	0°C to 40°C
Ingress Protection Rating	IP44
Beam Distribution	Symmetric
Beam Angle	30°
Warranty	1 Years

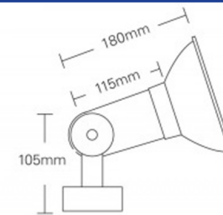
### Physical

Dimensions	L65 x W180 x H105mm
Luminaire Colour	Black
Weight	0.56kg
Luminaire Material	Plastic (Polycarbonate)
Finish	Matt
Installation	Ceiling Surface Mounted

### Electrical

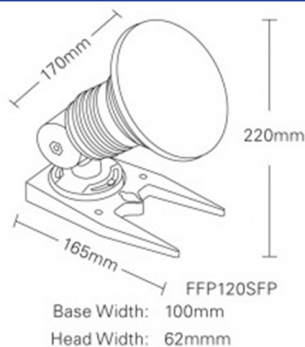
Voltage	240V
Electrical Rating	Class 1

### Line Drawings



FFP120 / FFP23  
Head dimensions (no lamp): 115(l)mm x65(w)mm  
Base Diameter: 65mm

### Line Drawings



\*Rated LED design life where stated is based upon application of Pierlite's operating and maintenance guidelines; see pierlite.com.au. Actual product life may vary dependent upon frequency of maintenance and product application. Due to continual product improvement, information is subject to change without notification. Gerard Lighting Pty Ltd standard Terms and Conditions apply