

## PRODUCT DESCRIPTION

- Manual exposed water closet flushometer with brass angle stop valve
- Cast brass construction with chrome electroplated finish
- Chloramines resistant seals
- 1" IPS inlet supply
- 1-1/2" top spud
- High back pressure vacuum breaker
- Diverter valve support
- ADA compliant handle with dual o-ring seals
- All flush valves are intended for use with compatible flush volume fixtures as specified by the fixture manufacturer. WaterSense® labeled flush valves should be used with a WaterSense® labeled fixture that has a compatible flush volume to ensure complete system performance.

## OPERATION

- Operating pressures: 15 to 120 psi
- AccuSet™ piston technology
- Self-cleaning filter

## FLOW

- 8310M35 (3.5 gpf/13.2 Lpf)
- 8310M16 (1.6 gpf/6.0 Lpf)
- 8310M128 (1.28 gpf/4.8 Lpf) – WaterSense® certified
- 8313M16 (1.6 gpf/6.0 Lpf) with 24" tailpiece extension tube
- LAT8310M16 (1.6 gpf/6.0 Lpf)
- LAT8310M128 (1.28 gpf/4.8 Lpf)

## STOP VALVE

- 1" IPS vandal resistant control stop
- Solid brass with chloramines resistant face seal

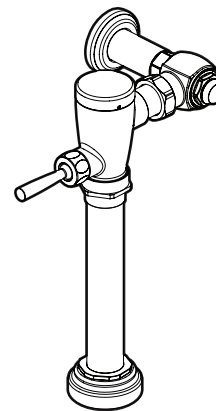
## STANDARDS

- Third party certified to meet: ASSE1037 / ASME A112.1037 / CSA125.37, ASME A112.19.2 / CSA B45.1 and all applicable requirements referenced therein
- BAA

## ADA

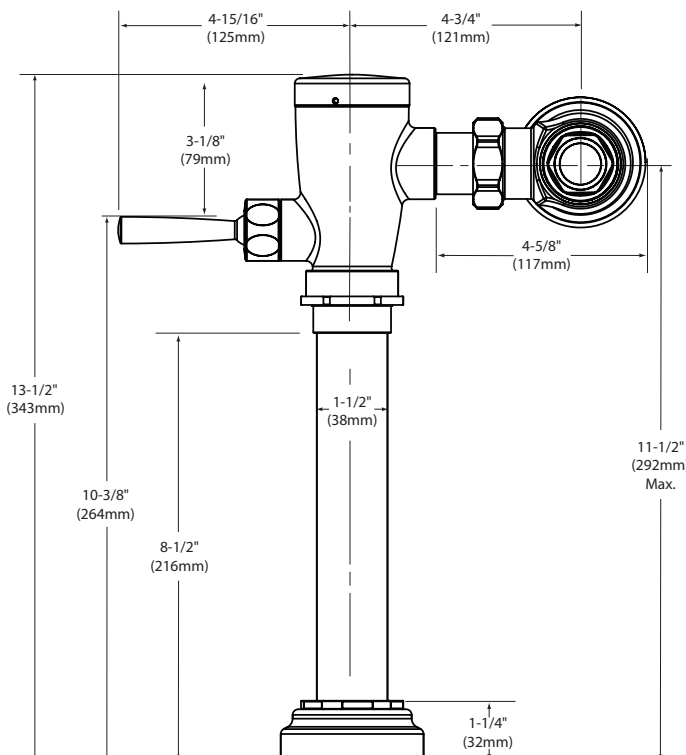
## WARRANTY

- Warranted for 5 years against material or manufacturing defects



## 1-1/2" Manual Exposed Style Closet Flush Valve

Models: 8310M35, 8310M16, 8310M128, 8313M16, LAT8310M128, LAT8310M16



## CRITICAL DIMENSIONS

(DO NOT SCALE)