

# Motor Protection

Amp-Trap® and 9F60 Series

## MEDIUM VOLTAGE FUSES

2.4KV, 2.54KV, 4.8KV, 5.08KV AND 7.2KV  
FERRULE MOUNTED FUSES

M  
V



Mersen R-Rated fuses are current-limiting, high interrupting rating fuses intended for the short circuit protection of medium voltage motors and motor controllers. R-Rated fuses are back-up fuses that have a minimum interrupting rating, and must be coordinated with overload relays in combination motor starters. The motor starter manufacturer generally specifies the R-Rated fuse size. These fuses come with a 3 (size D) or 4 (size E) inch diameter barrels with ferrules and are mounted in spring reinforced clips.

## FEATURES/BENEFITS:

- The Amp-Trap and 9F60 R-Rated fuses are UL Recognized.
- Ferrule mounting for standard clips and interchangeability with other brands of fuses.
- Current-limiting for superior equipment protection.
- Metal embossed catalog number and manufacturing date for lasting identification.
- Hookeye for non load-break isolation by hookstick:
  - On the 4.8kV an optional hookeye mounted in the factory is available.
  - On all other 3" barrels if a hookeye is required, use the operating eye 9F61AAW612.
- Blown-fuse indicator to give positive identification of open fuse.
  - Amp trap: 3" Barrel 2 lb tripped force - 0.50 Inch
  - 9F60: 0.125 lb tripped force - 0.20 Inch

## Ratings:

### Amp-Trap

#### A240R

- **Volts:** 2.4kVAC
- **Amps:** 1 to 36R
- **IR:** 65kA Sym

#### A480R

- **Volts:** 4.8kVAC
- **Amps:** 2 to 36R
- **IR:** 50kA Sym

#### A072F

- **Volts:** 7.2kVAC
- **Amps:** 2 to 24R
- **IR:** 50kA Sym

### 9F60 SERIES TYPE EJ-2

#### 9F60

- **Volts:** 2.54kVAC, 5.08kVAC
- **Amps:** 2 to 36R
- **IR:** 50kA Sym

## HIGHLIGHTS:

- R-Rated
- UL recognized

## APPLICATIONS:

- Short circuit protection of medium voltage motors and motor controllers.

## APPROVALS:



- Amp-Trap: UL File E93367
- 9F60: UL File E191980

4.8KV / 5.08KV FERRULE MOUNTED FUSES:

4.8kV R-Rated Amp-Trap Series

12.5" (317 mm) Clip Centers - Barrel diameter size D (3")



Catalog No.	Size	Continuous Amp rating at 40°C	Minimum Interrupting Rating RMS Amp	No of Barrels	Fig.	Indicating	Dimension L Inches (mm)	1 Phase interrupting rating	
								UL Component Recognition Max IR RMS Sym	Max Voltage Tested Max IR RMS Sym
A480R2R-1	2R	70	190	1	A	Yes	15.88 (403)	65kA at 5.5kV	65kA at 5.5kV
A480R3R-1	3R	100	225						
A480R4R-1	4R	130	330						
A480R5R-1	5R	150	400						
A480R6R-1	6R	170	500						
A480R9R-1	9R	200	740						
A480R12R-1	12R	230	955	2	B		64kA at 5.5kV	64kA at 5.5kV	
A480R18R-1	18R	390	1440						
A480R24R-1	24R	450	1910						
A480R36R-1	36R**	650	2810	3	C				

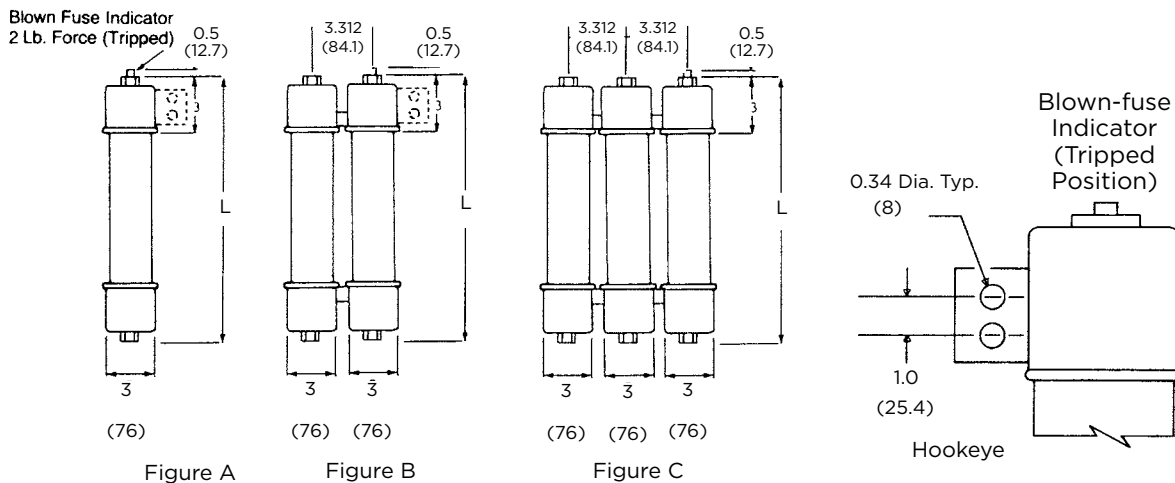
\*\* Not recommended for use in fuse clips which grasp only one barrel.

4.8kV R-Rated Amp-Trap Series with Hookeye

12.75" (324 mm) Clip Centers - Barrel diameter size D (3")



Catalog No.	Size	Continuous Amp rating at 40°C	Minimum Interrupting Rating RMS Amp	No of Barrels	Fig.	Indicating	Dimension L Inches (mm)	1 Phase interrupting rating	
								UL Component Recognition Max IR RMS Sym	Max Voltage Tested Max IR RMS Sym
A480R2R-1HE	2R	70	190	1	A	Yes	16.13 (410)	50kA at 5.08kV	63kA at 5.5kV
A480R3R-1HE	3R	100	225						
A480R4R-1HE	4R	130	330						
A480R5R-1HE	5R	150	400						
A480R6R-1HE	6R	170	500						
A480R9R-1HE	9R	200	740						
A480R12R-1HE	12R	230	955	2	B				
A480R18R-1HE	18R	390	1440						
A480R24R-1HE	24R	450	1910						





### 5.08kV R-Rated 9F60 EJ-2 Series

12" (305 mm) Clip Centers – Barrel diameter size D (3")

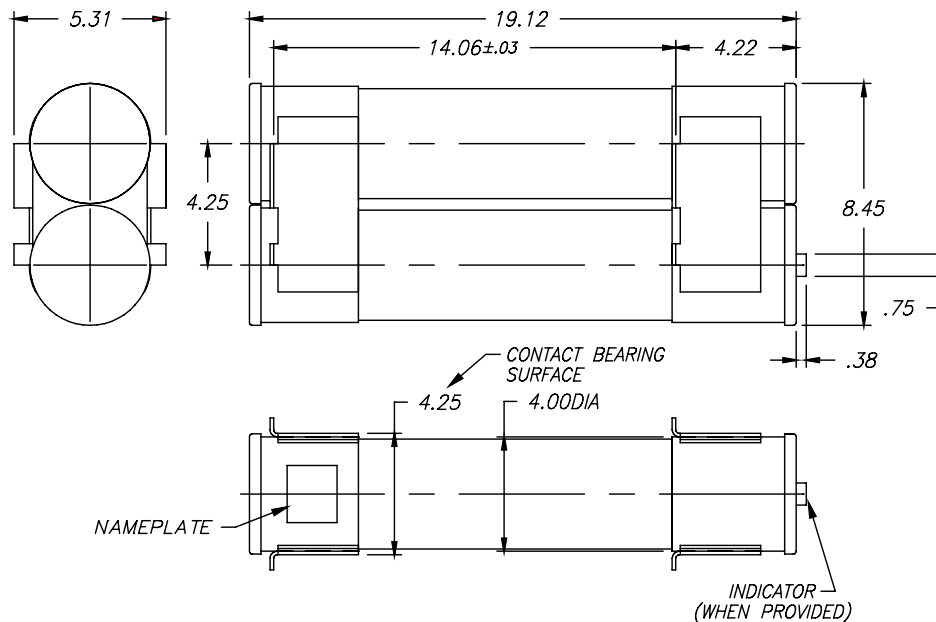
Catalog No.	Size	Continuous Amp rating at 40°C	Minimum Interrupting Rating RMS Amp	No of Barrels	Fig.	Indicating	Dimension L Inches (mm)	1 Phase interrupting rating	
								UL Component Recognition Max IR RMS Sum	Max Voltage Tested Max IR RMS Sum
9F60LJD502	2R	70	195	1	D*	Yes	15.97 [406]	50kA at 5.08kV	50kA at 5.08kV
9F60LJD503	3R	100	270						
9F60LJD504	4R	130	370						
9F60LJD506	6R	170	580						
9F60LJD509	9R	200	820						
9F60LJD512	12R	230	1150						
9F60MJD518	18R	390	1800	2	E*				
9F60MJD524	24R	450	2400						
9F60LJN302	2R	70	195	1	D*	No	15.97 [406]	50kA at 5.08kV	50kA at 5.08kV
9F60LJN303	3R	100	270						
9F60LJN304	4R	130	370						
9F60LJN306	6R	170	580						
9F60LJN309	9R	200	820						
9F60LJN312	12R	230	1150						
9F60MJN318	18R	390	1800	2	E*				
9F60MJN324	24R	450	2400						

\* See Figures D & E on previous pages

### 5.08kV R-Rated 9F60 EJ-2 Series

14" (356 mm) Clip Centers – Barrel diameter size E (4") – Use clip parts 9F61BNW452

Catalog No.	Size	Continuous Amp rating at 40°C	Minimum Interrupting Rating RMS Amp	Indicating	Dimension L Inches (mm)	1 Phase interrupting rating		No of Barrels	Fig.
						UL Component Recognition Max IR RMS Sum	Max Voltage Tested Max IR RMS Sum		
9F60NLD830	30R	550	3600	Yes	19.12 [486]	50kA at 5.08kV	50kA at 5.08kV	2	F
9F60NLD836	36R	650	4200						



M  
V