

# ceiling 100mm - ducted



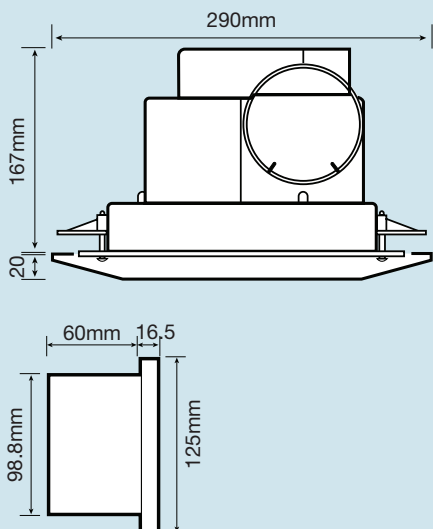
Standard model: **Cat R621D1**

## ceiling exhaust fan, duct and grille



- Suitable for low roof or inter-floor spaces
- Ducting to outside prevents condensation damage to the ceiling
- Built-in draft-stopper improves household energy efficiency
- Supplied with 3m ducting, grille, lead and plug – ready for installation

## specifications



**Supply voltage:** 240V a.c. 50Hz

**Motor rating:** 34W

**Air movement rate:** 160m<sup>3</sup>/hr with 3m ducting

**Grille dimensions:** 290mm square

**Projection to ceiling:** 167mm

**Face protrusion:** 20mm

**Fan size:** 120mm centrifugal

**Holed cut-outs size:** 230mm x 252mm

**Duct size:** 100mm diameter

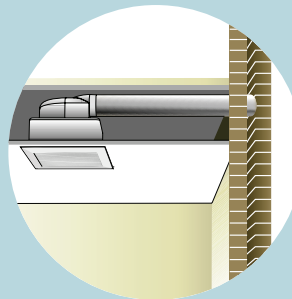
**Flexible ducting:** 100mm dia x 3m

**Weight:** 2kg

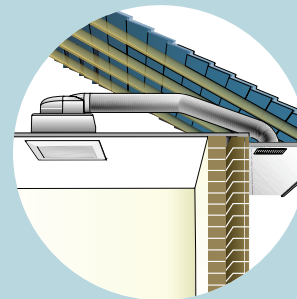
**Warranty:** 1 year

**IP rating:** NA

## installation



Multi storey application



Standard roof application

**Note:** Increasing ducting length may decrease performance, efficiency and product life span.