

LED downlight DSL10.3-PRO

A slim ceiling recessed LED downlight with high color rendering and uniform light surface with no shadowing. Dimmable with most Leading Edge and Universal Dimmers. Replaces conventional downlights 1 x 50W and offers up to 80 % energy saving. Beam angle 60°. Electronic: fixed output control gear. Choice of 3000K or 4000 K to suit application use. Thermally optimised aluminium body. Fitted with flex and plug.

Materials:

Body: Aluminium,

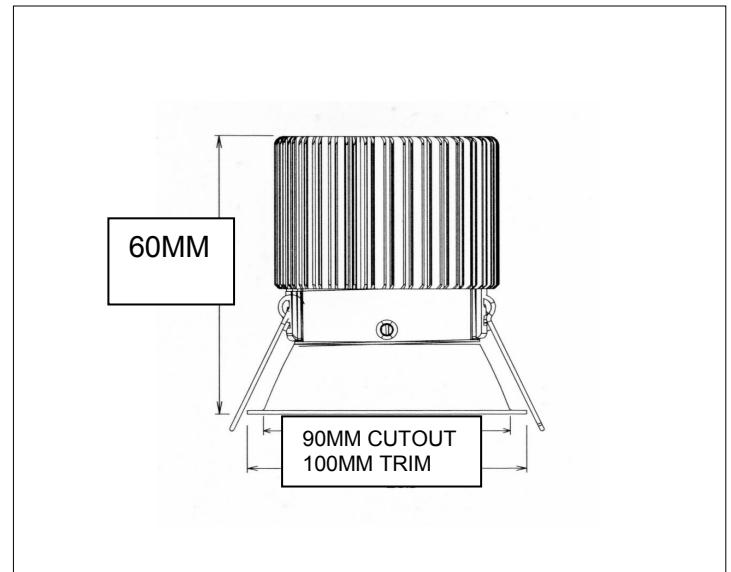
Diffuser: Reflector UV stabilized

Complete with 3000K LED, 875lm. Class II electrical, IP44 (from below) IP40 (from above), IK08.

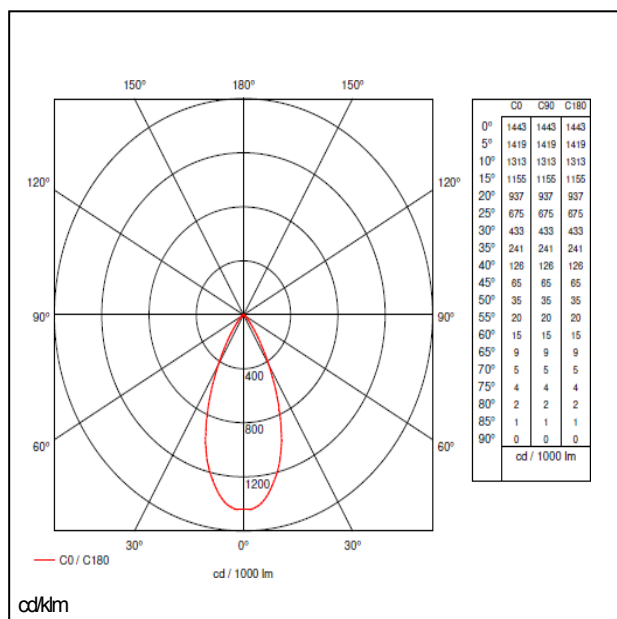
Luminaire efficacy: 92 lm/W

Rated median useful life: 50.000h L70B50 at 25°C

Weight: 0.5 kg



Light Distribution



- Beam angle of 60deg
- Aluminium body
- 50000hrs*
- L70/B10
- Warranty 5 years*
- 92lm/w
- 874 lumens
- Power factor 0.95
- IP44
- IC-4
- CRI>83
- UGR 20
- SAA certification
- CCT: 3000K, 4000K,
- Dimming: Leading edge
- Optional: 1-10v , Dali
- LM80
- LM79
- IES file
- 3 pin flex and plug base



IK08

