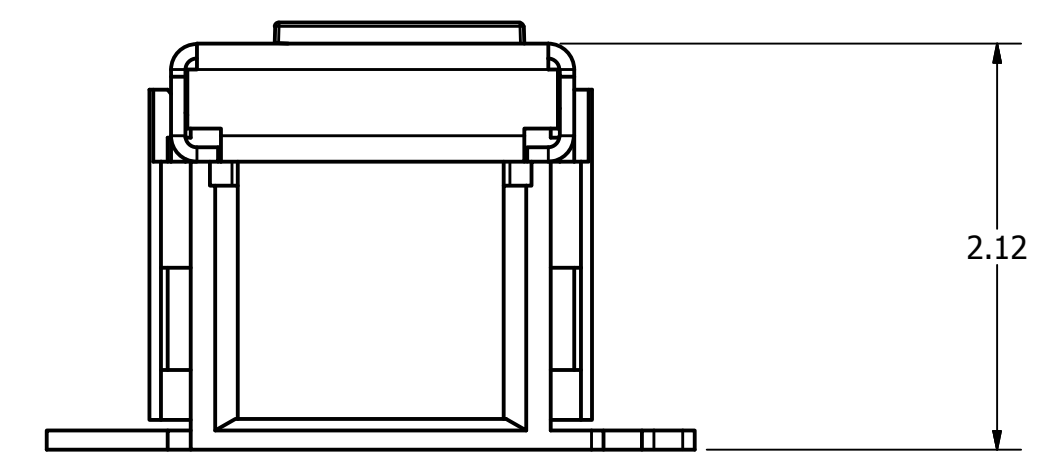


- NOTES:
- PRODUCT CONTAINS:
 - (1) 12 PORT PANEL ASSEMBLY
 - (1) 89D MOUNTING BRACKET
 - (2) LABEL CARDS
 - (2) CLEAR LABEL COVERS
 - SPECIFICATIONS SUBJECT TO CHANGE WITHOUT NOTICE



Created on INVENTOR	DIMENSIONING AND TOLERANCE PER ANSI Y14.5M-1982 UNLESS OTHERWISE SPECIFIED, DIMENSIONS ARE IN INCHES (MM). TOLERANCES: XX = ±.01 (.25) .XXX = ±.005 (.127) .XXXX = ±.0025 (.0635) ANGLE TOL ±1°		PROJECT REFERENCE: NPD-00617
	IN ACCEPTING OUR DRAWINGS, BLUEPRINTS, OR SUPPORTING DOCUMENTATION FOR QUOTATION OR OTHER PURPOSES, YOU AGREE NOT TO DISCLOSE TO OTHERS THE IDEAS, INFORMATION, OR DESIGNS SHOWN HEREIN, AND THAT YOU WILL MAKE NO USE OF SAME WITHOUT PERMISSION		MATERIAL:
			DRAWN BY: D.O'CONNOR 5/21/16
			CHECKED BY:
		APPROVED BY:	

		Hubbell Premise Wiring HUBBELL INCORPORATED (Delaware) 23 CLARA DRIVE, SUITE 103 MYSTIC, CT 06355	
TITLE: 12 PORT UNLOADED PANEL			
SIZE D	DRAWING NO. HWS14648C	REV. 1	
SCALE:		SHEET 1 OF 1	

1	21453	6/6/16	INITIAL RELEASE	DPO	MMA
REV.	ECN	DATE	DESCRIPTION	CHG BY	APPD BY