

## Single Pole Devices and Temporary Power

50A, 120/240V AC

## Temporary Power Distribution Boxes

# HUBBELL

### Features

- Save space in the warehouse and on the truck with nesting leg design
- Durable Hi Visibility Yellow Powder Coated Steel Construction
- Individual GFCI modules

### Ordering Information

Description	Product Type	UPC	Catalog Number
Distribution Boxes, 50A Straightblade	Boxes	783585093833	TPDS

### Standards

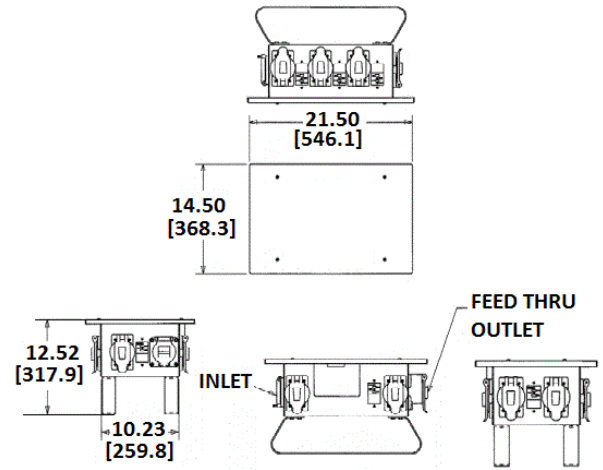
UL 1640, UL 943

### Specifications

Operation	Indoor and outdoor wet and dry locations
Enclosure Type	3R, rainproof, suitable for use in damp locations
Code Compliance	NEC, ANSI/NFPA 70

### Online Resources

Customer Use Drawing  
eCatalog  
Installation Instructions



Dimensions in Inches (mm)

Hubbell Wiring Device-Kellems • Hubbell Incorporated (Delaware) • 40 Waterview Drive • Shelton, CT 06484

Phone (800) 288-6000 • Fax (800) 255-1031 • Specifications subject to change without notice.

