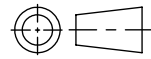
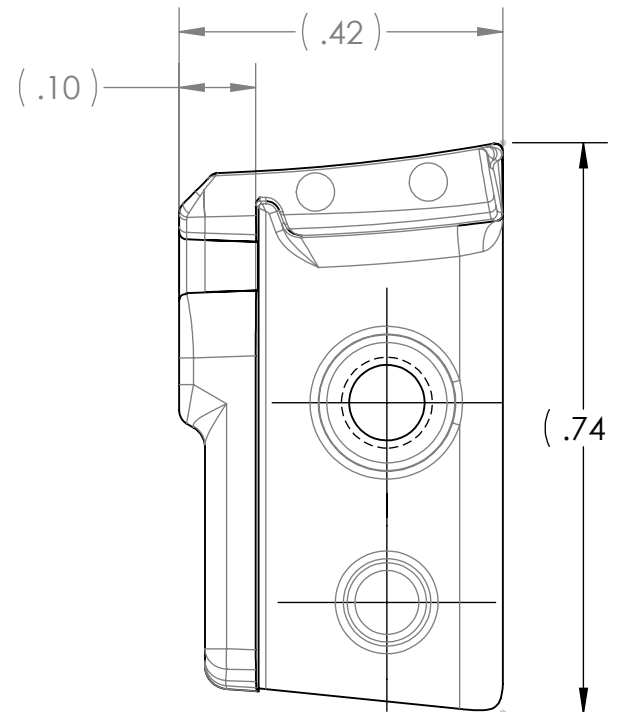
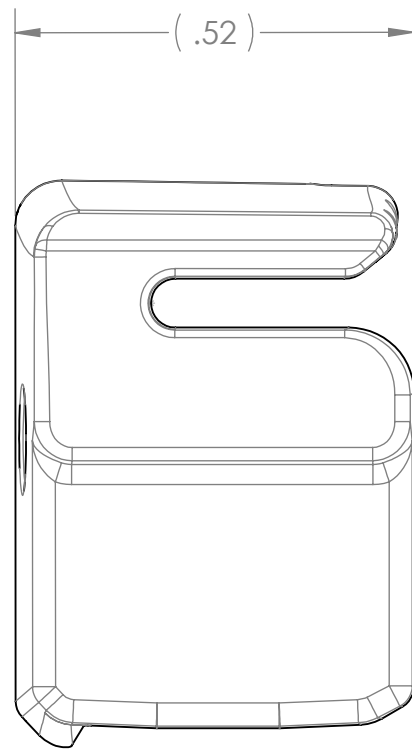
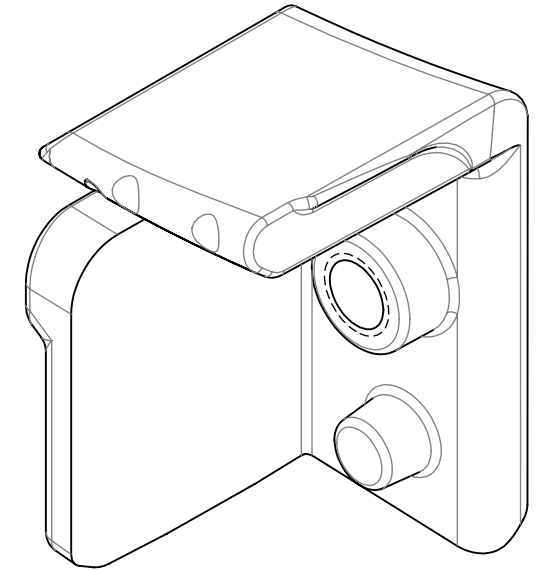
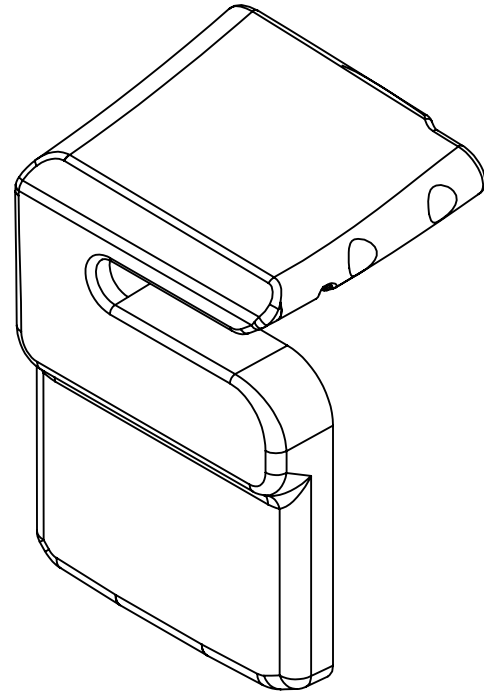


SW2010



Revision level		Revision Record	Changed	Date	Approved	Date
Drawing	Part					
00	-	SEE ECN# 300043	TJM	07/30/2012	TJM	07/30/2012



NOTE: TIE TAIL LENGTH INCREASED BY APPROXIMATELY 2MM OVER STANDARD NOSEPIECE

Notes	Material	Units	<p>The copyright of this drawing is reserved by HellermannTyton. It is issued on condition that it is not reproduced, copied, or disclosed to a third party, either wholly or in part, without the consent of HellermannTyton.</p>	Drawn	TJM	07/30/2012	Article/Type-No	110-70132	Scale	4:1
	METAL	inches		Approved	TJM	07/30/2012	Title	NOSEPIECE ALTERNATE 2MM TIE TAIL	Project Number	PRP07-022
	<p>Dimension without tolerances details to:</p> <p>.xxxx = ±.0005 .xxx = ±.005 .xx = ±.01 .x = ±.03 None = ±.06 < = ±0.5°</p>			<p>HellermannTyton North America Email: corp@htamericas.com Web: www.hellermann.tyton.com</p>		Drawing-No	Production : Phase		Format	B
								07-022-452-CSU	Sheet	1/1