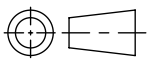


SW2014



Revision level			Revision Record	Changed	Date	Approved	Date
Drawing	State	Part					
01.1	Design Release	-	SEE ECN# 300244 \triangle 01	MRG	06-30-2016	TGM	06-30-2016

REPLACEMENT PARTS

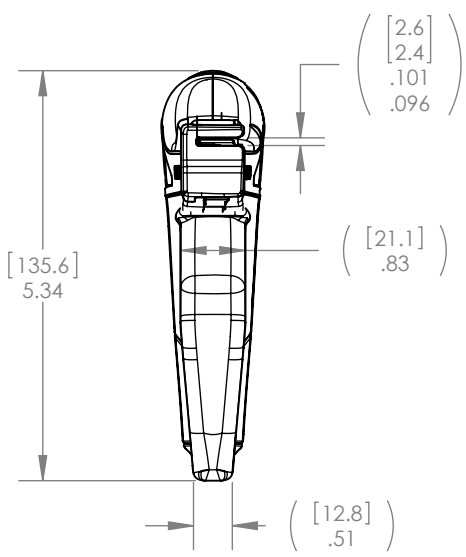
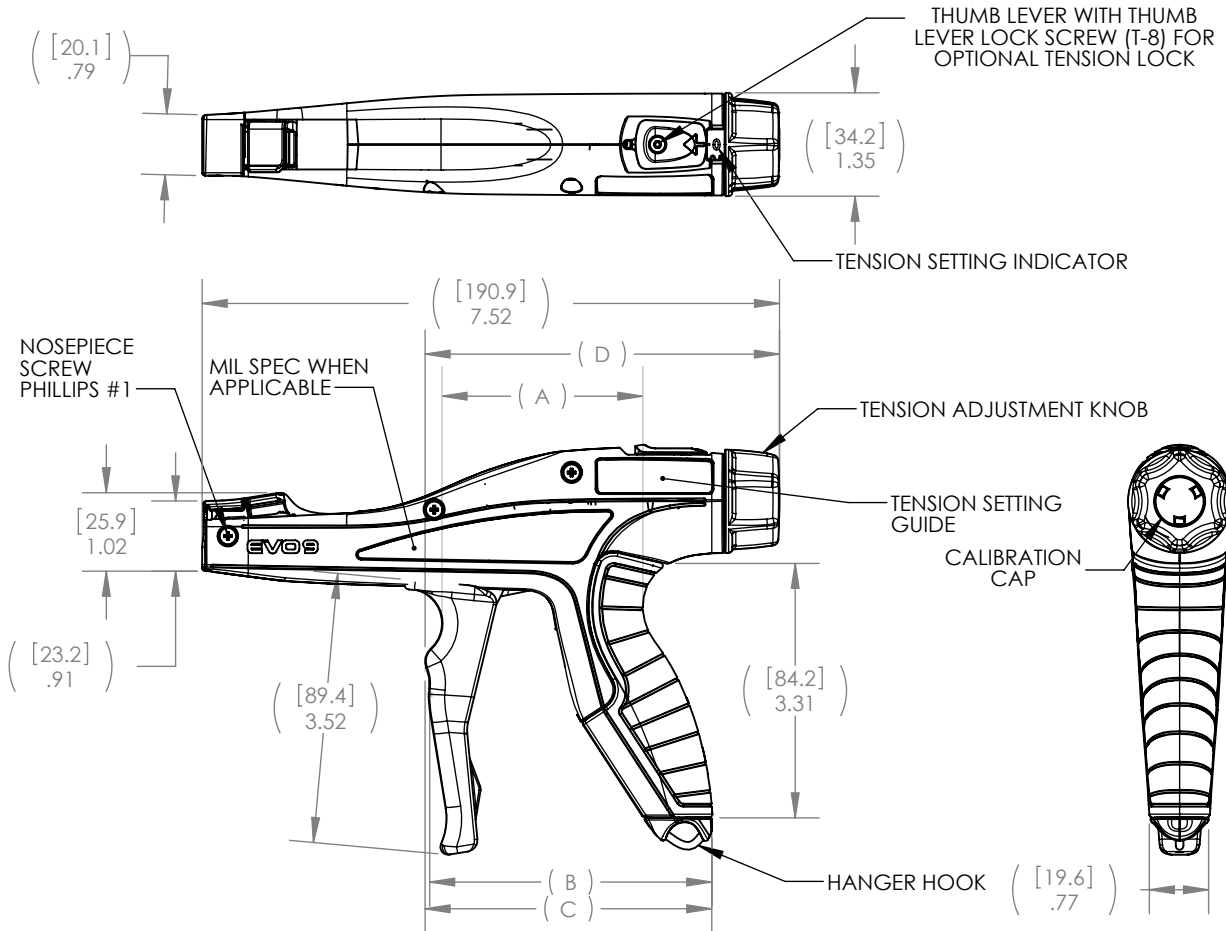
- 110-80006 BLADE KIT FOR EVO9 SERIES (INCLUDES BLADE AND NOSEPIECE SCREW)
- 110-70048 CALIBRATION CAP
- 110-80018 STANDARD NOSEPIECE

OPTIONAL ACCESSORIES

- 110-80064 NOSEPIECE ALTERNATE 2MM EXTRA TIE TAIL
- 110-80065 NOSEPIECE ALTERNATE 3MM EXTRA TIE TAIL
- 110-80066 NOSEPIECE ALTERNATE 4MM EXTRA TIE TAIL
- 110-80067 NOSEPIECE ALTERNATE 5MM EXTRA TIE TAIL
- 110-70089 CALIBRATION TOOL FOR ON-SITE TOOL ADJUSTMENT (REQUIRES 110-99000 OR EQUIVALENT LINEAR FORCE GAUGE)

OPTIONAL ACCESSORIES (NOT AVAILABLE IN ALL MARKETS)

- 110-70091 T-8 STAR DRIVE TOOL FOR LOCKING TENSION SETTING
- 110-99000 UC200 TENSION GAUGE FOR TENSILE READOUT WHEN CALIBRATING MK SERIES AND EVO SERIES TOOLS



UNS #	TYPE	TENSION	HAND SPAN	LABEL COLOR	PACKAGING	DIM "A"	DIM "B"	DIM "C"	DIM "D"	MIL SPEC
110-80000	EVO9	STANDARD	STANDARD	RED	US	2.6 [66]	3.7 [94]	3.7 [95]	4.6 [117]	NA
110-80001	EVO9SP	STANDARD	SHORT	RED	US	2.5 [63]	3.5 [88]	3.6 [90]	4.4 [113]	NA
110-80002	EVO9	STANDARD	STANDARD	RED	EUROPEAN	2.6 [66]	3.7 [94]	3.7 [95]	4.6 [117]	NA
110-80003	EVO9SP	STANDARD	SHORT	RED	EUROPEAN	2.5 [63]	3.5 [88]	3.6 [90]	4.4 [113]	NA
110-80004	EVO9HT	HIGH	STANDARD	BLUE	US	2.6 [66]	3.7 [94]	3.7 [95]	4.6 [117]	NA
110-80017	EVO9HT	HIGH	STANDARD	BLUE	EUROPEAN	2.6 [66]	3.7 [94]	3.7 [95]	4.6 [117]	NA

Material RoHS COMPLIANT	Units: inches Dimension without tolerances details to: .xxxx = ±.0005 .xxx = ±.005 .xx = ±.01 .x = ±.03 None = ±.06 ∠ = ±0.5° Dimension Formatted in [mm]	The copyright of this drawing is reserved by HellermannTyton. It is issued on condition that it is not reproduced, copied, or disclosed to a third party, either wholly or in part, without the consent of HellermannTyton.	Drawn: MRG 05-02-2016 Approved: TGM 05-02-2016	Article/Type-No: SEE CHART Title: EVO9 FINAL ASSEMBLY Drawing-No: 13-0516-004-CSU	Scale: 2:5 Project Number: PRP 13-0516 Format: AH Sheet: 1/1
			Production : Phase		
	North America Email: corp@htamericas.com Web: www.hellermann.tyton.com				
	Email: corp@htamericas.com Web: www.hellermann.tyton.com				