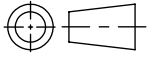
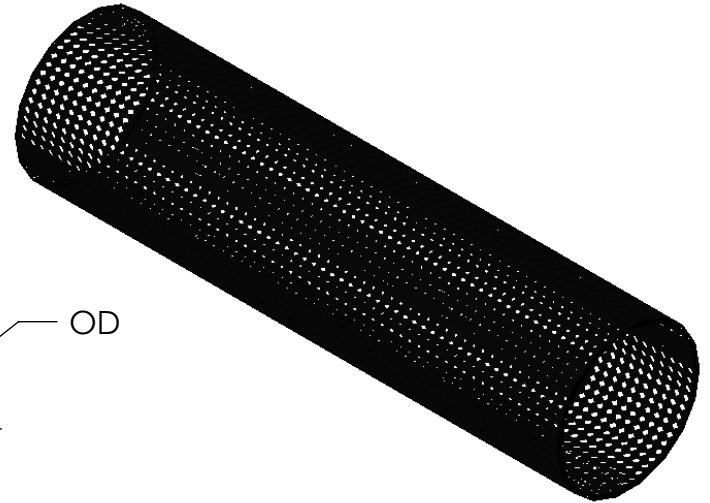
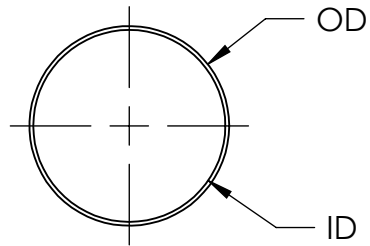
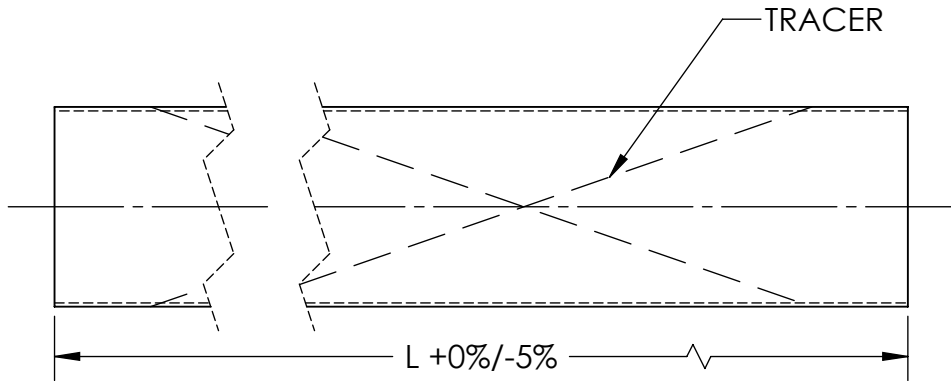


SW2010



Revision level		Revision Record	Changed	Date	Approved	Date
Drawing	Part					
01	-	SEE ECN# 011861	AAC	04/12/2011	KAC	02/07/2012



**PRODUCT CODE DESCRIPTION**

BSPFR12\_   
 COLOR   
 (CONSULT FACTORY FOR AVAILABLE COLORS)



NOMINAL SIZE	TYPE	OD	ID	EXPANSION RANGE (FOR REF ONLY)		L (FT)	BULK L (FT)
				MINIMUM	MAXIMUM		
1/8	BSPFR18_	.175	.125	.094	.25	-	1000
1/4	BSPFR14_	.30	.25	.125	.438	200	1000
1/2	BSPFR12_	.55	.50	.25	.75	100	500
3/4	BSPFR34_	.80	.75	.50	1.25	75	250
1	BSPFR10_	1.05	1.00	.63	1.63	-	250
1-1/4	BSPFR114_	1.30	1.25	.75	1.75	50	250
1-1/2	BSPFR112_	1.55	1.50	1.00	2.125	40	200

Material  
PET FLAME RETARDANT

Units inches  
Dimension without tolerances details to:  
.xxxx = ±.0005  
.xxx = ±.005  
.xx = ±.01  
.x = ±.03  
None = ±.06  
∠ = ±0.5°

The copyright of this drawing is reserved by HellermannTyton. It is issued on condition that it is not reproduced, copied, or disclosed to a third party, either wholly or in part, without the consent of HellermannTyton.

Drawn AAC 04/12/2011  
Approved AAC 05/16/2011  
**HellermannTyton**  
North America  
Email: corp@htamericas.com  
Web: www.hellermann.tyton.com

Article/Type-No SEE CHART  
Title PET FLAME RETARDANT EXPANDABLE BRAIDED SLEEVING  
Drawing-No 11-0337-004-CSU  
Production : Phase  
Scale 1:1  
Project Number PRP11-0337  
Format AH  
Sheet 1/1