



Ultra-economy wall pack with traditional look.

Color: Bronze

Weight: 7.2 lbs

Project:

Type:

Prepared By:

Date:

**Driver Info**

**LED Info**

|             |                  |                |              |
|-------------|------------------|----------------|--------------|
| Type        | Constant Current | Watts          | 30W          |
| 120V        | 0.25A            | Color Temp     | 5000K (Cool) |
| 208V        | 0.15A            | Color Accuracy | 84 CRI       |
| 240V        | 0.13A            | L70 Lifespan   | 50,000 Hours |
| 277V        | 0.12A            | Lumens         | 3,604        |
| Input Watts | 29.1W            | Efficacy       | 123.8 lm/W   |

**Technical Specifications**

**Compliance**

**UL Listed:**

Suitable for wet locations. Suitable for mounting within 4 feet of the ground.

**DLC Listed:**

This product is on the Design Lights Consortium (DLC) Qualified Products List and is eligible for rebates from DLC Member Utilities.

DLC Product Code: P48Q80EH

**Performance**

**Lifespan:**

50,000-Hour LED lifespan based on IES LM-80 results and TM-21 calculations

**Electrical**

**Driver:**

Constant Current, Class 2, 120-277V, 50/60Hz, 120V: 0.25A, 208V: 0.15A, 240V: 0.13A, 277V: 0.12A

**THD:**

3.46% at 120V, 4.25% at 277V

**Power Factor:**

99.6% at 120V, 92.6% at 277V

**Note:**

All values are typical (tolerance +/- 10%)

**LED Characteristics**

**LEDs:**

Long-life, high-efficacy, surface-mount LEDs

**Color Uniformity:**

RAB's range of Correlated Color Temperature follows the guidelines of the American National Standard for Specifications for the Chromaticity of Solid State Lighting (SSL) Products, ANSI C78.377-2017.

**Construction**

**Housing:**

Die-cast aluminum

**Lens:**

Glass

**Reflector:**

Specular aluminum

**Cold Weather Starting:**

The minimum starting temperature is -40°C (-40°F)

**Maximum Ambient Temperature:**

Suitable for use in up to 40°C (104°F)

**Technical Specifications (continued)**

**Construction**

**Mounting:**

Die-cast backbox with four (4) conduit entry points and knockout pattern for junction box or direct wall mounting. Hinged door for easy re-assembly.

**Green Technology:**

Mercury and UV free. RoHS-compliant components.

**Finish:**

Formulated for high durability and long-lasting color

**Other**

**Replacement:**

Replaces up to 100W Metal Halide

**Equivalency:**

Equivalent to 70W Metal Halide

**5 Yr Limited Warranty:**

The RAB 5-year, limited warranty covers light output, driver performance and paint finish. RAB's warranty is subject to all terms and conditions found at [rablighting.com/warranty](http://rablighting.com/warranty).

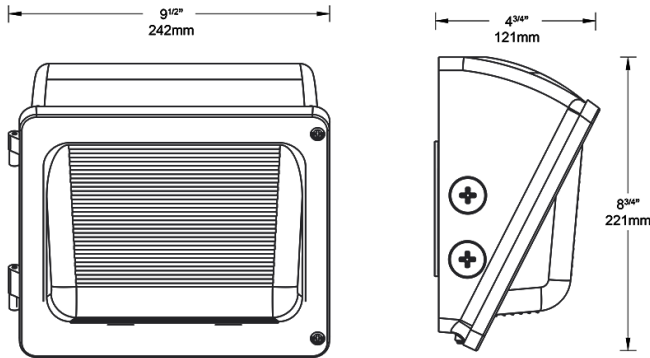
**Trade Agreements Act Compliant:**

This product is a product of Cambodia and a "designated country" end product that complies with the Trade Agreements Act

**Buy American Act Compliance:**

RAB values USA manufacturing! Upon request, RAB may be able to manufacture this product to be compliant with the Buy American Act (BAA). Please contact customer service to request a quote for the product to be made BAA compliant.

**Dimensions**



**Features**

- Economy-grade wall pack with traditional look
- Covers footprint of small HID wall packs
- Available in various lumen packages
- Integrated 0-10V dimming
- 50,000-Hour LED lifespan

**Ordering Matrix**

| Family | Lumen Package | CRI/Color Temp   | Voltage   | Options   |
|--------|---------------|--|---|---|
| W34    | 30L           | Blank = 80 CRI / 5000K<br>840 = 80 CRI / 4000K<br>830 = 80 CRI / 3000K | Blank = 120-277V, 0-10V Dimming<br>/480 = 480V, 0-10V Dimming | Blank = No Option<br>/PCU = 120-277V Button Photocell<br>/MVS = Microwave Motion Sensor<br>/LC = 120-277V Lightcloud® Control |

*All values are nominal with +/- 10% tolerance. See spec sheet for more details.*