

**Project:**

**Type:**

**Prepared By:**

**Date:**



### Features and Benefits

- Replacement for up to 600W Metal Halide or High Pressure Sodium HID Lamps
- Sleek lightweight design looks good without traditional HID fixture reflectors
- Integral Driver enables lamp to be wired directly to line voltage without need for an external driver or ballast
- Super High Output, 20,000 lumens
- Rated for use in enclosed and open fixtures in dry or damp locations
- 4kV surge protection built in
- 50,000 hour Lifespan
- Environmentally friendly, no mercury used
- UL Listed, UL Classified, DLC Listed
- Non-Dimmable
- 5 Year No Compromise Warranty

### Technical Specifications

#### Performance

**Product Type:**

HID Replacement

**Input Wattage:**

135W

**Lumens (Nominal):**

20000lm

**Efficacy:**

148 lm/W

**Color Accuracy (CRI):**

80 CRI

**L70 Lifespan:**

50,000 Hours

**Dimmable:**

No

#### Construction

**Bulb Shape:**

High Bay

**Base Type:**

EX39

**Beam Angle:**

90°

**For Use Outdoors in Open Fixtures:**

No

#### Other

**Equivalency:**

400W/600W HID

**Warranty:**

RAB warrants that our LED products will be free from defects in materials and workmanship for a period of five (5) years from the date of delivery to the end user, including coverage of light output, color stability, driver performance and fixture finish. RAB's warranty is subject to all terms and conditions found at [rablighting.com/warranty](http://rablighting.com/warranty).

#### LED Characteristics

**Color Temperature:**

4000K Cool White

#### Electrical

**Power Factor:**

0.9

**Operating Temperature:**

-20°C - 45°C

**Input Voltage:**

120-277V AC

## Technical Specifications (continued)

### Electrical

#### Operating Frequency:

50/60Hz

### Installation

#### Installation Type:

Type B, Ballast Bypass

#### Installation Orientation:

Vertical

### Electrical Characteristics

#### Input Current @ 120V:

1109mA

#### Input Current @ 277V:

598mA

### Compliance

#### UL Recognized:

Yes

#### UL Classified:

Yes

#### CEC Status:

Lawful for sale in California

#### DLC Model Number:

H10015

#### DLC Listed:

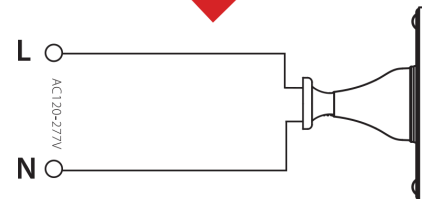
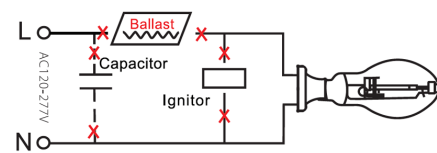
This product is on the Design Lights Consortium (DLC) Qualified Products List and is eligible for rebates from DLC Member Utilities. Designed to meet DLC 5 requirements.

DLC Product Code: PTAKVRK6

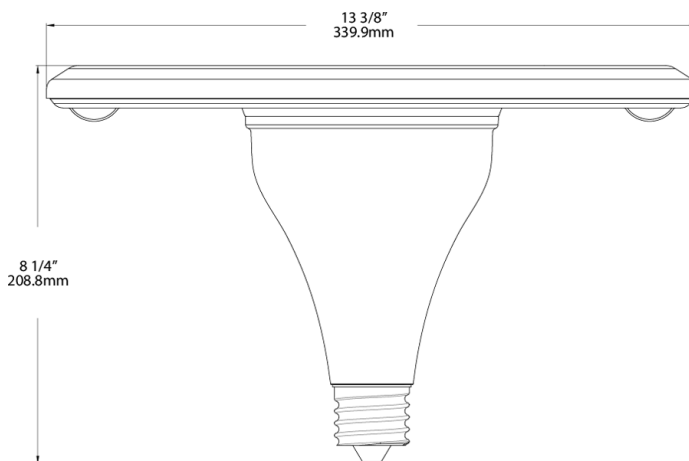
## Case and Pallet Dimensions

	QTY	LENGTH (in)	WIDTH (in)	HEIGHT (in)
CASE	2	15	15.2	18.1
PALLET	36	46.9	47.3	37.8

## Wiring Diagram



## Dimension



## Light Distribution

