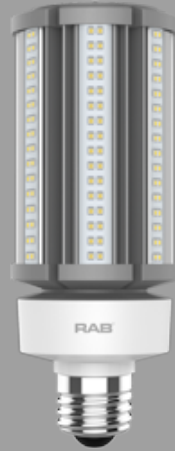


Project:

Type:

Prepared By:

Date:



UPC: 019813749105



### Features and Benefits

- Replacement for traditional Metal Halide or High Pressure Sodium HID Lamps
- Active Cooling: Internal sensor overheat and engaged will automatically reduce output to 70% rated wattage until the sensor cools and will light up again to 100%
- Integral Driver enables lamp to be wired directly to line voltage without need for an external driver or ballast
- Rated for use in enclosed and open fixtures in dry or damp locations
- 4kV surge protection built in
- 50,000 hour Lifespan
- Environmentally friendly, no mercury used
- UL Listed, UL Classified
- Non-Dimmable
- 5 Year No Compromise Warranty

### Technical Specifications

#### Performance

##### Product Type:

HID Replacement

##### Input Wattage:

45W

##### Lumens (Nominal):

6800lm

##### Efficacy:

151 lm/W

##### Color Accuracy (CRI):

80 CRI

##### L70 Lifespan:

50,000 Hours

##### Dimmable:

No

#### Construction

##### Bulb Shape:

Post Top

##### Base Type:

E26

##### Beam Angle:

360°

##### For Use Outdoors in Open Fixtures:

Yes

#### Other

##### Equivalency:

175W HID

##### Warranty:

RAB warrants that our LED products will be free from defects in materials and workmanship for a period of five (5) years from the date of delivery to the end user, including coverage of light output, color stability, driver performance and fixture finish. RAB's warranty is subject to all terms and conditions found at [rablighting.com/warranty](http://rablighting.com/warranty).

#### LED Characteristics

##### Color Temperature:

5000K Daylight

#### Electrical

##### Power Factor:

0.9

##### Operating Temperature:

-30°C - 60°C

##### Input Voltage:

100-277V

## Technical Specifications (continued)

### Electrical

#### Operating Frequency:

50/60Hz

### Installation

#### Installation Type:

Type B, Ballast Bypass

#### Installation Orientation:

Universal Installation

### Electrical Characteristics

#### Flicker:

<30%

#### THD:

<20%

### Compliance

#### UL Listed:

Yes

### UL Classified:

Yes

### CEC Status:

Lawful for sale in California

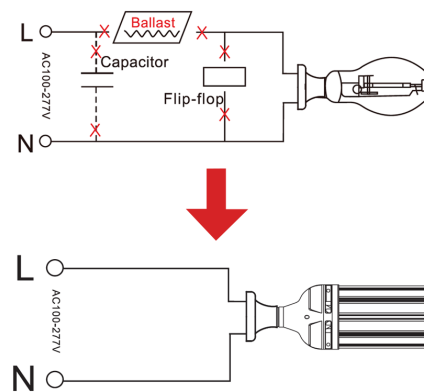
## Minimum Compartment Size

Length x Width x Height [in]	Lamp Quantity
8.0 x 8.0 x 11.0	1

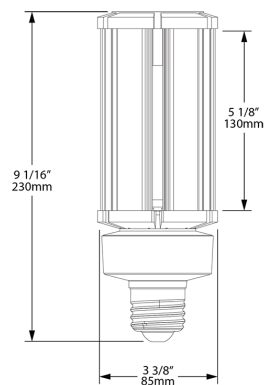
## Case and Pallet Dimensions

	QTY	LENGTH (in)	WIDTH (in)	HEIGHT (in)
CASE	12	15.6	11.8	11.4
PALLET	432	37.4	33.1	39

## Wiring Diagram



## Dimension



## Light Distribution

