

INSTRUCTIONS

SLIM® 57W INSTALLATION

RAB®

RAB Lighting is committed to creating high-quality, affordable, well-designed and energy-efficient LED lighting and controls that make it easy for electricians to install and end users to save energy. We'd love to hear your comments. Please call the Marketing Department at 888-RAB-1000 or email: marketing@rablighting.com



SLIM57

IMPORTANT

READ CAREFULLY BEFORE INSTALLING FIXTURE. RETAIN THESE INSTRUCTIONS FOR FUTURE REFERENCE.

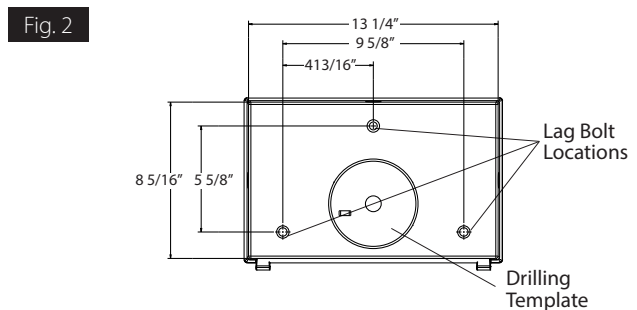
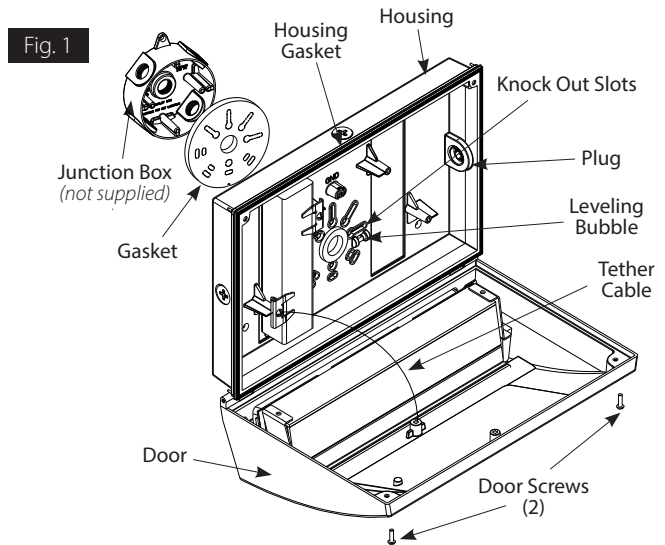
RAB fixtures must be wired in accordance with the National Electrical Code and all applicable local codes. Proper grounding is required for safety. THIS PRODUCT MUST BE INSTALLED IN ACCORDANCE WITH THE APPLICABLE INSTALLATION CODE BY A PERSON FAMILIAR WITH THE CONSTRUCTION AND OPERATION OF THE PRODUCT AND THE HAZARDS INVOLVED.

WARNING: Make certain power is OFF before installing the fixture. No user serviceable parts inside.

MOUNTING

To ensure weatherproof seal, apply weatherproof silicone sealant around the edge of the **Housing** and/or **Junction Box** shown in **Fig 1**. This is especially important with an uneven wall surface. Silicone all plugs and unused conduit entries.

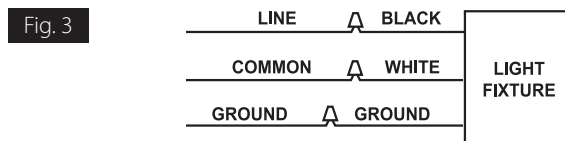
1. Loosen **Door Screws** and open the **Door**. Screws will remain in place.
2. **Tether Cable** provided for hands free wiring.
3. Knock out appropriate **Slots** when mounting to **Junction Box** (*not supplied*) or **Lag Bolt** to mounting surface using locations shown in **Fig 2**. Use **Leveling Bubble** to level fixture.
4. Feed supply wires through **Junction Box** (*not supplied*). Check that the **Gasket** is fully sealed.
5. Make sure **Housing Gasket** is properly seated. Close and tighten the **Door Screws**. Silicone all **Plugs** and unused conduit entries.
6. If outdoor surface is irregular, use caulk to seal any gaps around the **Housing**.



WIRING

Universal voltage driver permits operation at 120V thru 277V, 50 or 60 Hz, except fixtures factory ordered with a 120V photocell (/PC) and 277V photocell (/PC2) and fixtures factory ordered with a 120V swivel photocell (/PCS) or 277V swivel photocell (/PCS2) or 480V swivel photocell (/PCS4). Units ordered with (/480V) suffix are 480V. Follow the wiring directions shown in **Fig 3**.

1. Connect the **Black** fixture lead to the **LINE** supply lead.
2. Connect the **White** fixture lead to the **COMMON** supply lead.
3. Connect the **GROUND** wire from fixture to supply ground.



INSTRUCTIONS

SLIM® 57W INSTALLATION

RAB®

RAB Lighting is committed to creating high-quality, affordable, well-designed and energy-efficient LED lighting and controls that make it easy for electricians to install and end users to save energy. We'd love to hear your comments. Please call the Marketing Department at 888-RAB-1000 or email: marketing@rablighting.com

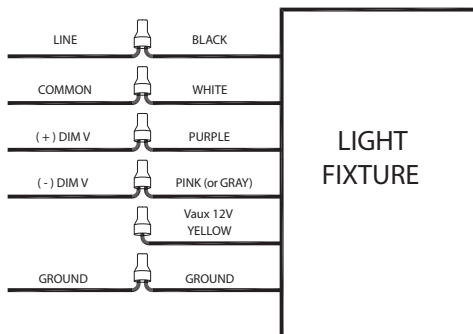
0-10V DIMMABLE WIRING

Universal voltage driver permits operation at 120V thru 277V, 50 or 60 Hz. Units ordered with (V480/D10) suffix are 480V, 50Hz or 60Hz. For 0-10V Dimming, follow the wiring directions as shown in Fig. 4.

1. Connect the black fixture lead to the **LINE** supply lead.
2. Connect the white fixture lead to the **COMMON** supply lead.
3. Connect the **GROUND** wire from fixture to supply ground.
4. Connect the purple fixture lead to the (V+) **DIM** lead.
5. Connect the pink (or gray) fixture lead to the (V-) **DIM** lead.
6. Cap the yellow fixture lead, if present. Do **NOT** connect.

NOTE: Do not connect DIM V+ (purple)/ DIM V- (pink/gray) to line voltage or supply ground.

Fig. 4



GUARD/SHIELD INSTALLATION

1. Remove left and right **Cover Plates** and discard as shown in Fig. 6.
2. Mount wire guard and/ or poly shield with (4) #8-32 x 1/2" **Stainless Steel Screws**. Screws are provided with the accessory.

Note: Guard and shield may be used together.

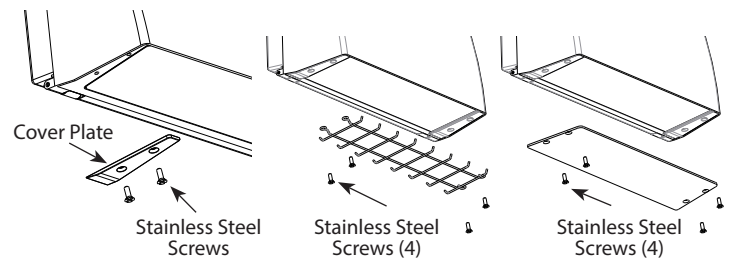


Fig. 6

CLEANING

CAUTION: Be sure fixture temperature is cool enough to touch. Do not clean or maintain while fixture is energized.

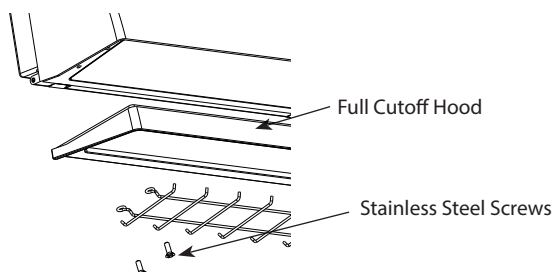
1. Clean glass lens with non-abrasive glass cleaning solution.
2. Do not open the fixture to clean the LED. Do not touch the LED.

FULL CUTOFF/GUARD/SHIELD INSTALLATION

1. Remove (4) **Stainless Steel Screws** from the **Full Cutoff Hood** as shown in Fig 5.
2. Mount wire guard and/ or poly shield over the full cutoff hood with (4) #8-32 x 1/2" **Stainless Steel Screws**. Screws are provided with the accessory.

Note: Guard, shield and full cutoff hood may be used together with (4) #8-32 x 3/4" stainless steel screws (supplied by others).

Fig. 5



TROUBLESHOOTING

1. Check that the line voltage at fixture is correct. Refer to wiring directions.
2. Is the fixture grounded properly?
3. Be sure the photocell, if used, is functioning properly.

Note: These instructions do not cover all details or variations in equipment nor do they provide for every possible situation during installation, operation or maintenance.

RAB®

© 2021 RAB LIGHTING Inc.
73340-RAB
SLIM57-IN-1021

Easy Answers

rablighting.com
Visit our website for product info

Tech Help Line
Call our experts: 888 722-1000

e-mail
Answered promptly - sales@rablighting.com

Free Lighting Layouts
Answered online or by request

RAB WARRANTY: RAB's warranty is subject to all terms and conditions found at rablighting.com/warranty.