



SERVICE PARTS LIST

BULLETIN NO.
54-10-0110

SPECIFY CATALOG NO. AND SERIAL NO. WHEN ORDERING PARTS		REVISED BULLETIN	DATE
1/2" REVERSING COMPACT DRILL			Jan. '84
CATALOG NO. 1630-1	STARTING SERIAL NO. 718-1001	WIRING INSTRUCTION 58-01-0537	
CAT. NO. 1630-6	START SER. NO. 718-1001	BILINGUAL LABEL 10-98-6400	

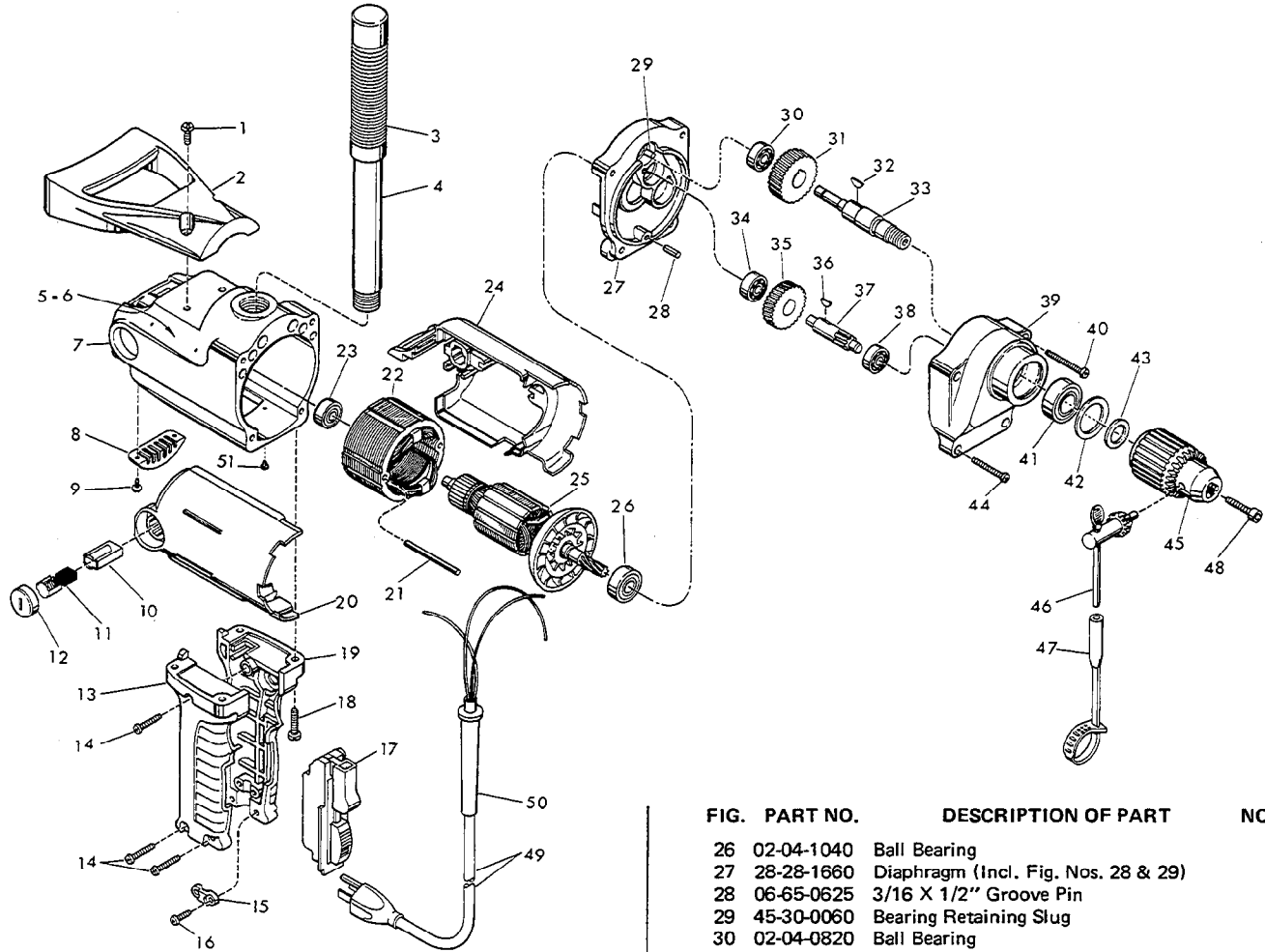


FIG.	PART NO.	DESCRIPTION OF PART	NO. REQ.
1	06-95-0460	12-24 X 3/4" Pan Hd. Taptite Sem.	(2)
2	31-44-1370	Spade handle	(1)
3	43-62-0242	Handle Grip	(1)
4	43-62-0235	Pipe Handle	(1)
5	12-99-0320	Nameplate Blank	(1)
6	06-85-0200	6 X 1/4" Nameplate Screw	(2)
7	28-50-6270	Motor Housing	(1)
8	44-66-5510	Cover Plate	(1)
9	06-95-2100	6-32 X 1/4" Pan Hd. Taptite Sem.	(2)
10	22-20-0660	Brush Tube	(2)
11	22-18-0680	Carbon Brush Assembly	(2)
12	23-44-0180	Brush Retaining Screw	(2)
13	31-44-1290	Right Hand Handle Half	(1)
14	06-95-0219	8-16 X 7/8" Plastite Screw	(3)
15	31-17-0156	Cord Clamp	(1)
16	06-95-0216	8-16 X 5/8" Plastite Screw	(2)
17	23-66-1020	On-Off 2 Speed Switch	(1)
18	06-95-0460	12-24 X 3/4" Pan Hd. Taptite Sem.	(4)
19	31-44-1295	Left Hand Handle Half	(1)
20	23-16-1275	Motor Insulator - Right Half	(1)
21	06-65-1230	Grooved Pin	(2)
22	18-50-0050	120V Field (Includes Fig. No. 21)	(1)
23	02-04-0847	Ball Bearing	(1)
24	23-16-1276	Motor Insulator - Left Half	(1)
25	16-50-0050	120V Armature (Incl. 22-84-0660 Fan)	(1)

FIG.	PART NO.	DESCRIPTION OF PART	NO. REQ.
26	02-04-1040	Ball Bearing	(1)
27	28-28-1660	Diaphragm (Incl. Fig. Nos. 28 & 29)	(1)
28	06-65-0625	3/16 X 1/2" Groove Pin	(1)
29	45-30-0060	Bearing Retaining Slug	(2)
30	02-04-0820	Ball Bearing	(1)
31	32-75-2101	Spindle Gear	(1)
32	06-42-2000	Woodruff Key	(1)
33	38-50-5430	Spindle	(1)
34	02-04-0820	Ball Bearing	(1)
35	32-40-1880	Intermediate Gear	(1)
36	06-42-1200	Woodruff Key	(1)
37	36-66-3101	Intermediate Shaft	(1)
38	02-04-0820	Ball Bearing	(1)
39	28-14-1705	Gear Case Assy. (See Note)	(1)
40	06-95-1650	10-24 X 1-7/16" Fil. Hd. Taptite Sem.	(2)
41	02-04-1567	Ball Bearing	(1)
42	34-80-2500	Retaining Ring	(1)
43	45-88-0325	Chuck Washer	(1)
44	06-95-1625	10-24 X 1-3/16" Fil. Hd. Taptite Sem.	(2)
45	48-66-1380	1/2" Rev. Chuck (Incl. Fig. No. 46)	(1)
46	48-66-3280	Chuck Key	(1)
47	48-66-4040	Key Holder	(1)
48	06-75-3150	1/4-20 X 1" Skt. Hd. Cap Screw - L.H. Thread	(1)
49	22-64-0121	Cord Set	(1)
50	44-76-0150	Cord Protector	(1)
51	06-81-8625	6-32 X 1/4 Ground Sem.	(1)
52	10-98-5987	Warning Label (Not Shown)	(1)

NOTE:
LUBRICATION
5-1/2 Oz. Type A