
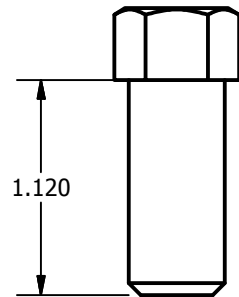
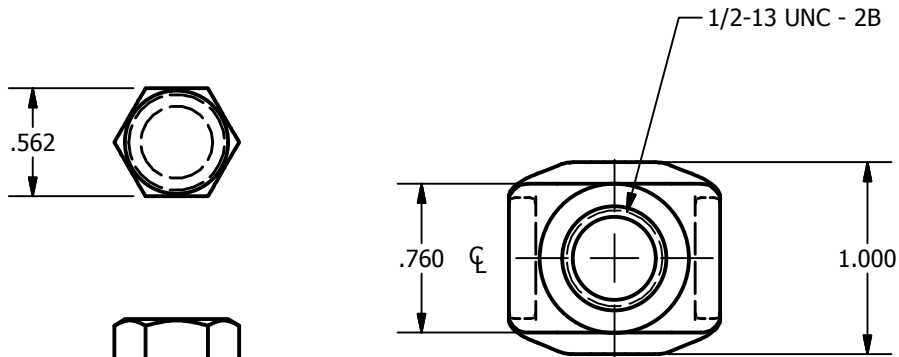
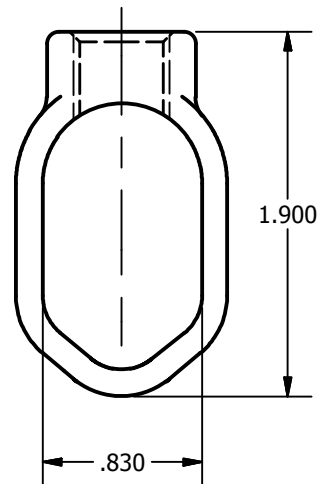
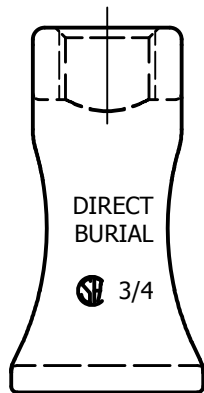


SCREW: AS BELOW	MATERIAL: COPPER	REV: B	 800-776-9775 www.ilsco.com
CAT. NO.: NONE	PLATING: BRIGHT DIP	DRAWN BY: JG SCALE: 1=1	
INFORMATION SHEET: NONE	MARKING: AS BELOW	DATE: 11/8/2007 SIZE: A	
			DWG. NO. R1768-00 SHEET: 1 OF 1



SCREW



SCALE 1 : 1

