

Ground Fault Products
Circuit Guard® Plug-In Portable GFCI and GFCI
Tester

15 Ampere, 120 Volts AC, 2 Pole, 3 Wire
Grounding

HUBBELL

Features

- Designed to measure the trip level of portable or “wired-in” GFCI’s in a range of 2-7mA. Leakage level can be adjusted from 2-7mA
- Ideal for measuring leakage level of GFCI breakers, GFCI portables and GFCI receptacles



Ordering Information

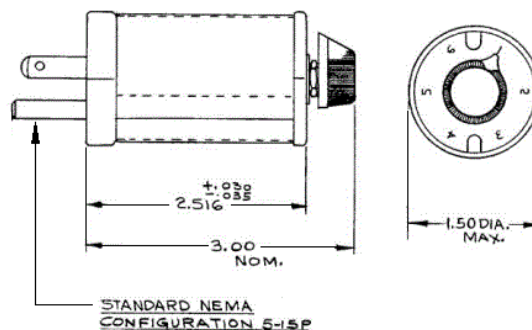
Description	Rating	UPC	Catalog Number
Ground fault tester	120V AC	783585690421	GFT2G

Listings

UL Listed
CSA Certified
NEC® and CEC requirements

Specifications

Housing	Polycarbonate
---------	---------------



Online Resources

[Customer Use Drawing](#)
[eCatalog](#)
[Installation Instructions](#)

Dimensions in Inches (mm)

Hubbell Wiring Device-Kellems • Hubbell Incorporated (Delaware) • 40 Waterview Drive • Shelton, CT 06484

Phone (800) 288-6000 • Fax (800) 255-1031 • Specifications subject to change without notice.

