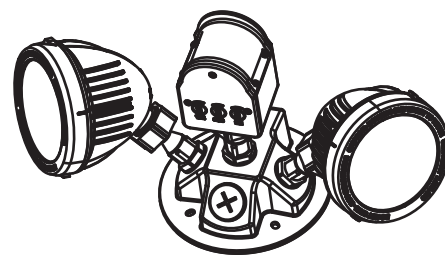


INSTALLATION INSTRUCTIONS - LED MOTION SENSOR

SAVE THESE INSTRUCTIONS



WARNING! Fixtures must be grounded and installed in accordance with the National Electrical Code and all local codes. Failure to do so may increase the RISK OF PERSONAL INJURY, PROPERTY DAMAGE, FIRE AND DEATH. Install and use so fixture failures do not cause a hazard and use only in environments for which the product is specifically marked.

WARNING! This product contains chemicals known to the State of California to cause cancer, birth defects, and/or other reproductive harm. Thoroughly wash hands after installing, handling, cleaning, or otherwise touching this product.

WARNING! Dangerous voltage exist within the unit and all precautions usually observed in handling high voltage equipment should be observed when replacing light engine or otherwise servicing luminaires. Disregarding this warning could result in electrical shock and possible injury to the individual installing or servicing this equipment. Installation and servicing should be done by qualified personnel.

CAUTION! Follow ALL luminaire recommendations, product markings, instructions, restrictions and warnings regarding luminaire operation and burning position. Luminaire label shows electrical and environmental requirements and restrictions.

NOTE! This luminaire is designed for outdoor lighting applications with ambient temperatures not exceeding 40°C (104°F).

All electrical work must be done by a qualified electrician.

Turn off electric power to all affected circuits and allow to cool before installation or servicing.

A regularly scheduled maintenance program should be established to retain optimum light output and reduce heat retention. Dusting with a soft, clean, dry cloth is normally sufficient for the optical system. Any accumulation of dust or dirt should be removed regularly.

Carefully read these instructions before installing product. If you do not understand these instructions, before starting any work, contact your Hubbell Lighting distributor or techsupport@hubbell-ltg.com or (864) 678-1000

Give instructions to facility owner/manager for future reference.

Mounting The Fixture

Turn off power to electrical connections.

Wiring must be performed by a qualified electrician. (120V ONLY)

1. Make electrical connections according to the local and National Electrical Codes.
2. Remove all parts from packaging along with hardware bag.
3. Connect wires according to Figure 2. Use wire nuts provided in the hardware bag.
4. Mount fixture onto electrical box using the screws (Item 1) provided. Be sure gasket (Item 2) is place securely between mounting plate (Item 3) and electrical box. Be careful not to pinch wires.
5. Tighten the fixture down using Phillips head screwdriver. Point the LED heads and motion sensor to the desired direction, then tighten the lock nut (Item 4). (Do not rotate the fixture past the limits specified on the fixture, to prevent twisting wires).

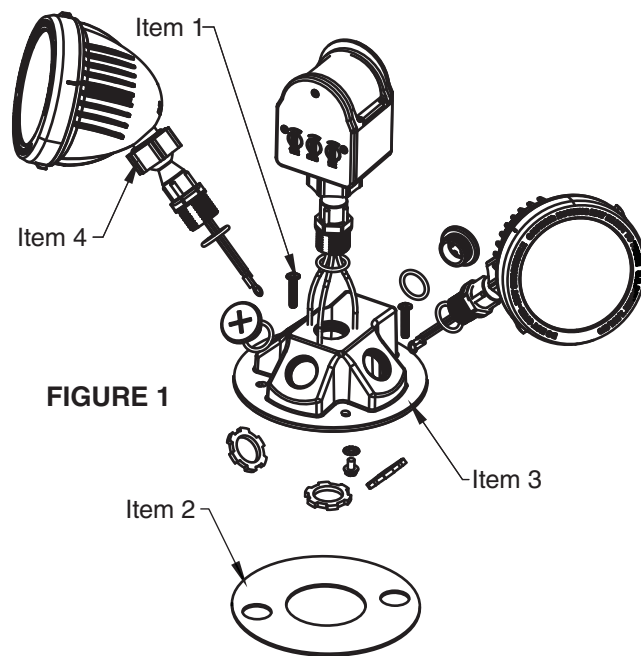


FIGURE 1

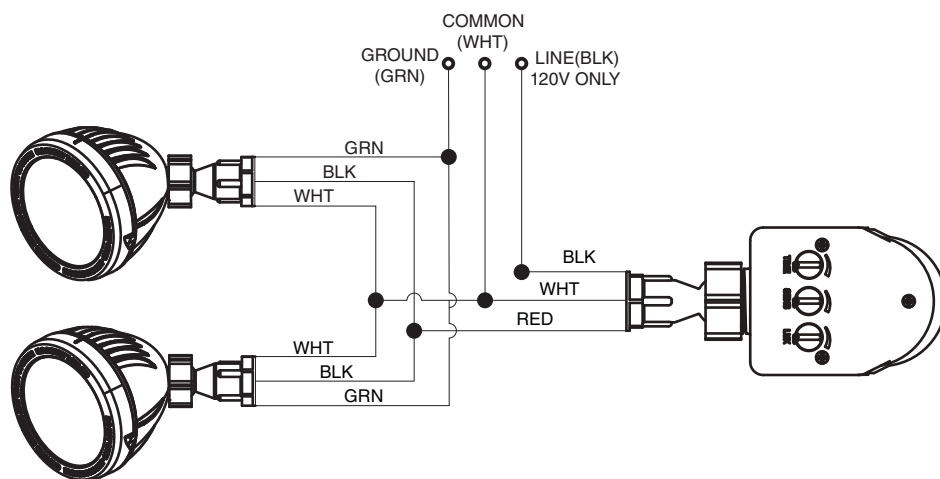


FIGURE 2

Motion Sensor Controls

Turn each knob clockwise for maximum setting and turn counter-clockwise for minimum setting.

- TIME: controls length of time light remains "ON"
- SENS: controls motion sensitivity
- LUX: controls light sensitivity