

Switches, Single Pole
20A, 120-277V AC

HBL® Extra Heavy Duty Industrial Locking Switch

HUBBELL

Features

- Large brass binding head screws with deep slots
- Lock circuits On or Off
- Strip gauge for accurate wiring

Ordering Information

| Description | Key Guide Color | UPC | Catalog Number |
|--------------------------------|-----------------|--------------|----------------|
| Key Guide, back and side-wired | Black | 783585431444 | HBL1221L |

Listings

UL Listed
CSA Certified
Fed. Spec. W-S-896

Specifications

| | |
|-----------------|-----------------|
| Top Material | Thermoset |
| Base Material | Thermoset, Red |
| Key Guide | Metallic, Black |
| Contacts | Silver Alloy |
| Terminal Screws | Brass |
| Ground Screw | Brass (Green) |

Performance

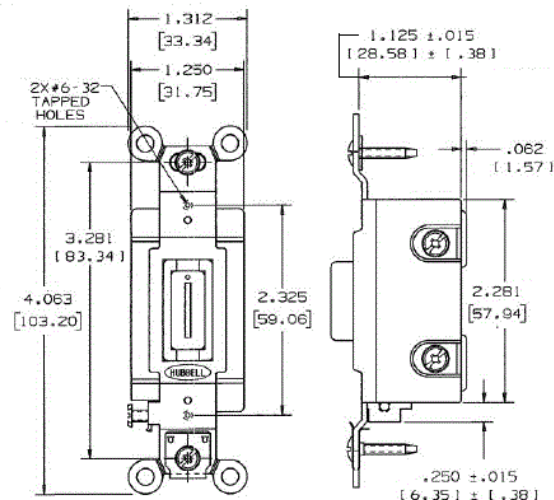
| Electrical | |
|-------------------------|--|
| Dielectric Voltage | Withstands 1500V AC minimum for 1 minute |
| Max. Continuous Current | 20A |
| Max. Working Voltage | 277V AC |
| Overload | Minimum 4.8 times rated current for 100 cycles |
| Temperature Rise | 30°C maximum at rated current |

Mechanical

Terminal Accommodations #14 AWG min. - #10 AWG max. solid and stranded copper wire only

Environmental

Flammability UL 94V-2
Operating Temperature Max. continuous: 75°C; Min. continuous: -40°C without impact



Online Resources

Customer Use Drawing
eCatalog
Installation Instructions

Dimensions in Inches (mm)

Hubbell Wiring Device-Kellems • Hubbell Incorporated (Delaware) • 40 Waterview Drive • Shelton, CT 06484

Phone (800) 288-6000 • Fax (800) 255-1031 • Specifications subject to change without notice.

