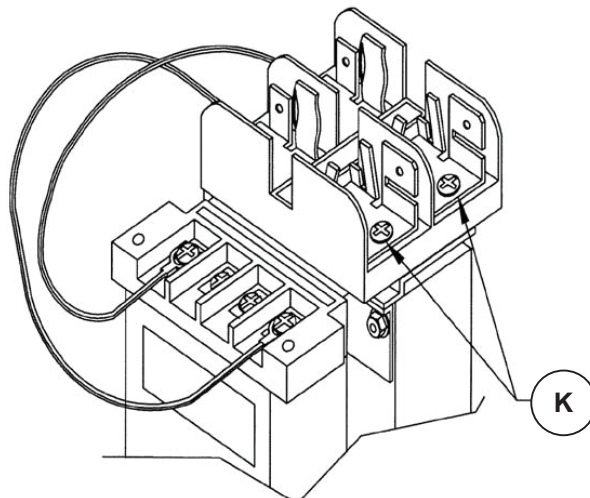


Industrial Control Transformers

WA, WB, & W FACTORY Wired Option Installation Manual



P/N: 272-38176-07
REV. 05 (05/16)
©2016 Appleton Grp LLC d/b/a Appleton Group
All rights reserved. Specifications
subject to change without notice.



Caution

*Make sure all power is off
before any wiring is started.*

Before the fuse(s) are installed, select the proper fuse(s) for your application and complete the input and output wiring.

Customer Wiring

Primary Leads

1. Verify that the primary jumpers are in the right location for the desired input voltage. Unit comes wired from the factory for the highest input voltage.
2. Connect the primary source leads to the fuse block terminal (K).

Primary Fuse Block The fuse block is designed for one or two "CC" rejection types fuses. Maximum torque on the fuse block is 20 in-lbs and wire sizes from 10 to 22 gauge.

Secondary Leads

Dependant on secondary fuse options. Configure appropriately.

WA Option: Follow installation manual for FB2 kit.

WB Option: Connect the secondary load wires to F2 and X2.

W Option: Wire direct or follow instruction manual for FB2 or FB2X.

WA Option

Included in WA Option:

- Primary Fuse Block FBP mounted to transformer
- FB2 fuse kit
- FB2X fuse kit (Not required if using FB2)
- Primary terminal jumpers
- Plastic Finger Safe Cover FSC1
- Two "CC" type safety covers
- Plastic Touch Proof Cover TPC1
- One 6/32 screw
- Two thread forming screws
- Instruction Sheet

After lead connections have been connected, install fuses and apply touch proof covers to the transformer.

1. Install **Primary Fuse Covers** (see next page under **Safety Covers**).
2. Place the FSC1 cover (J) over the secondary fuse per illustration FB2 (see diagram on next page).
3. Secure the cover with the one 6/32-screw (F) included with the kit.
4. Install **Primary Terminal Touch Proof Cover** (see next page under **Safety Covers**).

FB2 Fuse holder is rated for 1/4" X 1 1/4" 3AG fuses up to 15 amps or according to local codes at 250 volts (10 amps for CSA). The fuse holder is rated for wire sizes from 12 to 22 gauge and maximum torque is 10 in-lbs.

WB Option

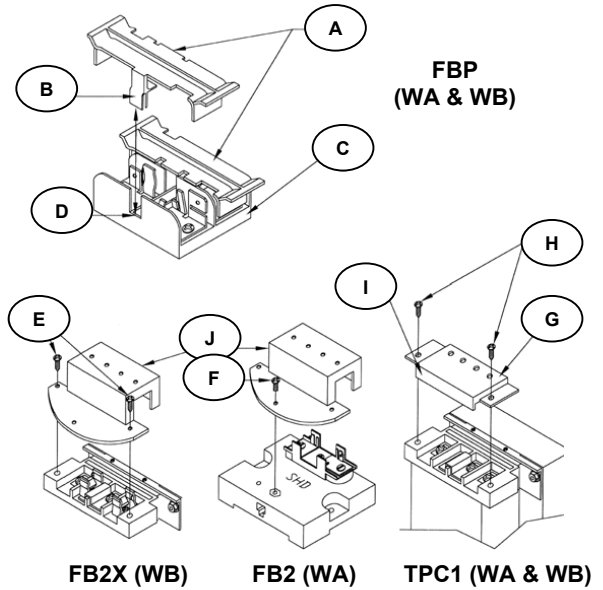
Included in WB Option:

- Primary Fuse Block FBP mounted to transformer
- Secondary fuse holder FB2X mounted to transformer
- Primary terminal jumper
- Plastic Finger Safe Cover FSC1
- Two "CC" type safe covers
- Plastic Touch Proof Cover TPC1
- Four thread forming screws
- Instruction Sheet

After lead connections have been connected, install fuses, and apply touch proof covers to the transformer.

1. Install **Primary Fuse Covers** (see below under **Safety Covers**).
2. Place the FSC1 cover (J) over the secondary fuse per illustration FB2X.
3. Secure the cover with the two thread forming screws (E) included with the kit.
4. Install **Primary Terminal Touch Proof Cover** (see below under **Safety Covers**).

FB2X Fuse holder is rated for 13/32" X 1 1/2" cartridge fuses up to 30 amps or according to local codes and 250 volts.



W Option

Included in W Option:

- Primary Fuse Block FBP mounted to transformer
- Secondary fuse holder FB2X not mounted to transformer
- Primary terminal jumper
- Instruction Sheet

After lead connections have been connected, install fuses.

Safety Covers (WA & WB only)

Primary fuse covers (type "CC" rejection type fuses only)

Each Kit includes two plastic touch proof primary fuse covers (A) one for each of the two primary fuse holders. Primary source leads should already be connected to the fuse block (C).

1. Install the "CC" type fuse into the plastic fuse cover (A). **Note:** The fuse can only be installed in one direction. View the small diagram on the plastic part at (B) for proper direction.
2. Carefully install the plastic fuse cover in the primary fuse block (C). **Note:** The plastic fuse cover can only be installed in one direction. Carefully align the cover so that it fits over the slot at (D) on the printed side of the fuse block.
3. Repeat if a second fuse is used

Primary Terminal Touch Proof Cover

1. Install the TPC1 cover (G) on to the transformer terminal block per the illustration using two thread forming screws (H) included. Make sure the lip (I) of the cover is towards the outside of the transformer.