

ATX™ FELED Series Nonmetallic LED Luminaires

Standard and Emergency Battery Back-Up, Increased Safety

ATEX/IECEX:
Zone 1 and 2 - 21 and 22
II 2 GD
IP66 – IK10

Applications

- For use in locations where:
 - Hazardous areas are designated as Zone 1 and 2 – 21 and 22
 - A high degree of corrosion resistance is required
 - Protection against dirt, water and moisture is necessary
- Typical applications include:
 - Oil refineries
 - Petrochemical facilities
 - Food processing plants
 - Waste and water treatment plants
 - Underground tunnels
 - General manufacturing facilities

Features

- Available in 5000K or 4000K Color Temperatures.
- Meets photobiological requirement for Risk Group 0 (RG0).
- Easy to retrofit in same mounting footprint as Appleton's FE series nonmetallic fluorescent luminaires.
- Full range of lumen outputs, with light distribution equivalent to Appleton's FE series fluorescent luminaires.
- Corrosion-resistant fiberglass reinforced polyester body and hinged polycarbonate lens.
- High impact resistance housing (20 Joules – IK10) from -30 °C to +55 °C (-22 °F to +131 °F) ambient temperature and wind profile for use in extreme offshore and onshore environments.
- 60,000+ hour LED life for years of maintenance free operation.
- Lightweight design, hinged cover with captive screws, and terminal block wiring for easy installation and maintenance.
- Contemporary, low profile design suitable for tight spaces.
- Standard screw-type terminal block can accept 1.5 to 6 mm² wire.
- Field replaceable LED driver.
- Industry-leading thermal management for safe, reliable operation over wide temperature range.
- Universal, high efficiency, drivers cover voltage requirements for 120-277 Vac, 170-300 Vdc, 50/60 Hz +/- 10%.
- High power factor electronic driver (>0.95).
- Standard 6KV surge suppression.
- M20 plug or M25 plug provided.
- Latch assembly and elastomer gasket seals against water and dust ingress, IP66.
- Easily accessed for maintenance using Allen key or straight blade screwdriver.
- Central opening with unique patented release system to prevent damage.
- Can be horizontally or vertically mounted.
- Available in 3 hour emergency version, including built-in monthly self- test. Test results through multi-colored LED.
- Positive safety switch disconnects power to LED's and driver to allow maintenance in hazardous locations (emergency version).
- Ex e battery with plug-in connector.

Options

- 3 Hours Emergency/Battery Back-Up available ①;
 - Add suffix **-E** to the end of the catalog number.
 - Example: *FELED5CBDSADE*



Standard Materials

- Housing: fiberglass reinforced polyester
- Lens: polycarbonate
- Diffuser: polycarbonate
- Gasket: elastomer
- Internal reflector: highly reflective white polycarbonate (standard versions) or powder coated aluminum (emergency versions)
- Mounting accessories available in different materials such as gray painted aluminum, zinc plated steel, galvanized steel or 316 stainless steel

ATEX/IECEX Certifications and Compliances

- **Certification Type: FELED30**
 - Gas: Zones 1 and 2
 - Conforming to ATEX 2014/34/EU: II 2 G
 - Type of Protection: Ex eb mb op is IIC Gb
 - Temperature Class: T4
 - Dust: Zones 21 and 22
 - Conforming to ATEX 2014/34/EU: II 2 D
 - Type of Protection: Ex op is tb IIIC Db
 - Surface Temperature: +60 °C to +75 °C (+140 °F to +167 °F)
- Ambient Temperature: -30 °C up to +55 °C (-22 °F up to +131 °F)
- EU Declaration of Conformity: 50318
- ATEX Certificate: INERIS 18 ATEX 0042X
- IECEX Certificate: IECEX INE 18.0039X
- **Certification Type: FELED (emergency)**
 - Gas: Zones 1 and 2
 - Conforming to ATEX 2014/34/EU: II 2 G
 - Type of Protection: Ex db eb mb IIC Gb
 - Temperature Class: T6
 - Dust: Zones 21 and 22
 - Conforming to ATEX 2014/34/EU: II 2 D
 - Type of Protection: Ex tb IIIC Db
 - Surface Temperature: +63 °C to +73 °C (+145 °F to +163 °F)
- Ambient Temperature: -20°C up to +50 °C (-4 °F up to 122 °F)
- EU Declaration of Conformity: 50317
- ATEX Certificate: LCIE 16 ATEX 3048X
- IECEX Certificate: IECEX LCIE 16.0038X
- **Standard and Emergency:**
 - Index of Protection according EN/IEC 60529: IP66
 - Impact Resistance (shock): IK10
 - Photobiological Safety, IEC 62778 and IEC 62471: RG0 at 0.25m mounting height

① Available for 5K lumen models only.

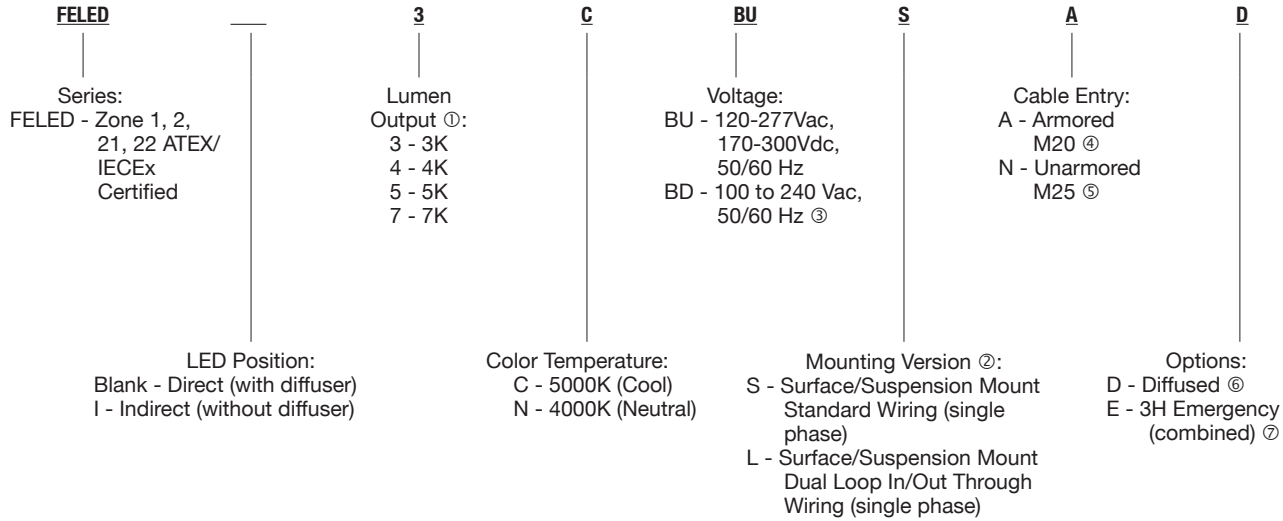
ATX™ FELED Series Nonmetallic LED Luminaires

Standard and Emergency Battery Back-Up, Increased Safety

LED/AREA: NEC/CEC EXPLOSIONPROOF/ATEX/IECEX FLAMEPROOF/INCREASED SAFETY

ATEX/IECEX:
 Zone 1 and 2 - 21 and 22
 Ⓢ II 2 GD
 IP66 - IK10

Order using catalog numbering guide below or select catalog number from tables on following pages.



① All values displayed reflect typical values.
 ② Standard and Loop In/Out cable entries provide 3 entries; 1 at one and 2 at the other end of the housing.
 ③ BD voltage for emergency model only
 ④ Must order armored cable glands separately. M20 entries are with brass earth continuity plate for armored cable.
 ⑤ Cable glands provided in luminaires with unarmored hub entries.
 ⑥ Diffuser required for direct, not included with indirect.
 ⑦ Available for 5K lumen model only.

ATX™ FELED Series Nonmetallic LED Luminaires

Standard and Emergency Battery Back-Up, Increased Safety

ATEX/IECEx:
 Zone 1 and 2 - 21 and 22
 Ⓢ II 2 GD
 IP66 – IK10

Lumen Comparison Chart

Line Current Amps	Input Power	Power Factor	Lumen Output (Lumens)	Efficacy (lm/w)	Correlated Color Temperature (CCT)	Color Rendering Index (CRI)	Length	Weight	Catalog Number
0.140A at 230Vac	31	> 0.96	3,058	99	5000K	70+	0.785 m (2.58 ft)	4.5 kg (9.9 lbs)	FELED3CBUxxD
			1,886	61					FELEDI3CBUxx
			2,512	81	4000K	80+			FELED3NBUxxD
			1,616	52					FELEDI3NBUxx
0.195A at 230Vac	44	> 0.96	4,196	95	5000K	70+			FELED4CBUxxD
			2,617	59					FELEDI4CBUxx
			3,428	78	4000K	80+			FELED4NBUxxD
			2,111	48					FELEDI4NBUxx
0.224A at 230Vac	50	>0.98	5,290	106	5000K	70+			FELED5CBUxxD
			3,260	65					FELEDI5CBUxx
			4,380	88	4000K	80+			FELED5NBUxxD
			2,613	52					FELEDI5NBUxx
0.333A at 230Vac	75	>0.97	7,181	96	5000K	70+	1.39 m (4.56 ft)	8.5 kg (18.74 lbs)	FELED7CBUxxD
			4,200	56					FELEDI7CBUxx
			5,879	78	4000K	80+			FELED7NBUxxD
			3,458	46					FELEDI7NBUxx

LED/AREA: ATEX/IECEx ENCLOSED AND GASKETED/INCREASED SAFETY

APPLETON™

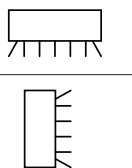
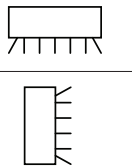
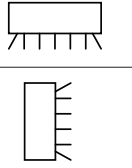
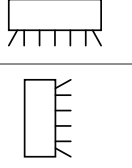
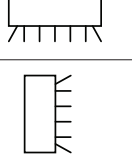
ATX™ FELED Series Nonmetallic LED Luminaires

Standard and Emergency Battery Back-Up, Increased Safety

ATEX/IECEX:
Zone 1 and 2 - 21 and 22
II 2 GD
IP66 - IK10

LED/AREA: ATEX/IECEX ENCLOSED AND GASKETED/INCREASED SAFETY

APPLETON™

Technical Data		Gas			Dust		
		T Rating			Surface T°		
		Ta = +40°C (+104°F)	Ta = +50°C (+122°F)	Ta = +55°C (+131°F)	Ta = +40°C (+104°F)	Ta = +50°C (+122°F)	Ta = +55°C (+131°F)
Model Type	Position Horizontal / Vertical						
FELED3 Direct/ Indirect		T4	T4	T4	60°C (140°F)	70°C (158°F)	75°C (167°F)
FELED4 Direct/ Indirect		T4	T4	T4	60°C (140°F)	70°C (158°F)	75°C (167°F)
FELED5 Direct/ Indirect		T4	T4	T4	60°C (140°F)	70°C (158°F)	75°C (167°F)
FELED5 Emergency		T6	T6	--	63°C (145°F)	73°C (163°F)	--
FELED7 Direct/ Indirect		T4	T4	T4	60°C (140°F)	70°C (158°F)	75°C (167°F)

"T" Numbers Represent the Maximum Temperature

"T" #	T1	T2	T3	T4	T5	T6
Temp. Range °C (°F)	301-450 (547-842)	201-300 (394-572)	136-200 (277-392)	101-135 (214-275)	86-100 (187-212)	85 (185)

ATX™ FELED Series Nonmetallic LED Luminaires

Standard and Emergency Battery Back-Up, Increased Safety

ATEX/IECEX:
 Zone 1 and 2 - 21 and 22
 Ⓢ II 2 GD
 IP66 - IK10

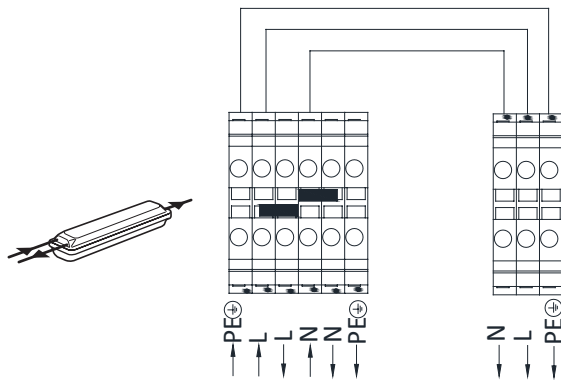
Wiring Diagrams

Standard

Version : L

Dual Loop In/Out - Through Wiring (Single Phase)

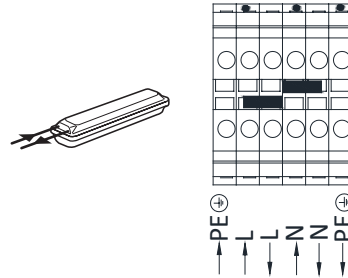
3 entries, 1 at one end and 2 at the other



Version : S

Standard (Single Phase)

3 entries, 1 at one end and 2 at the other

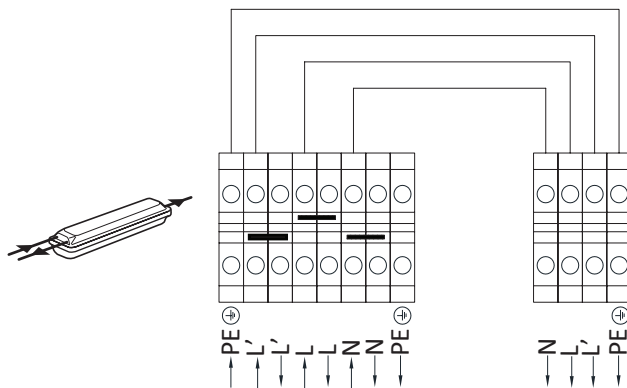


Emergency

Version : L

Dual Loop In/Out - Through Wiring (Single Phase)

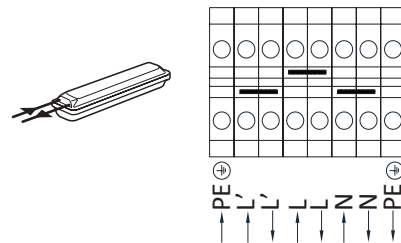
3 entries, 1 at one end and 2 at the other



Version : S

Standard (Single Phase)

3 entries, 1 at one end and 2 at the other



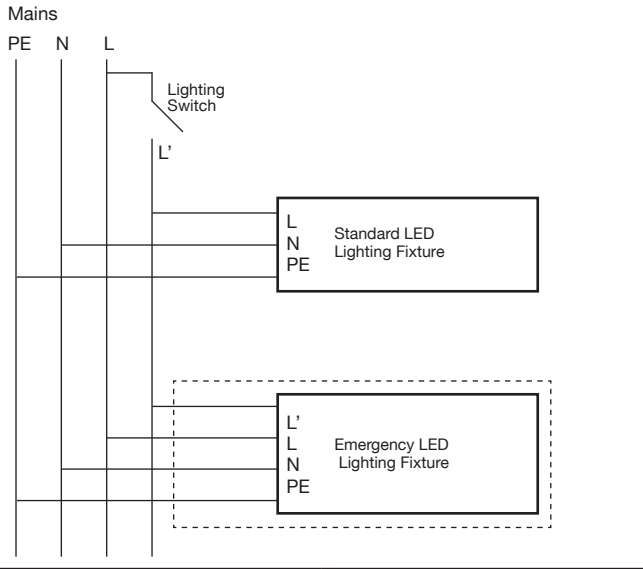
ATX™ FELED Series Nonmetallic LED Luminaires

Standard and Emergency Battery Back-Up, Increased Safety

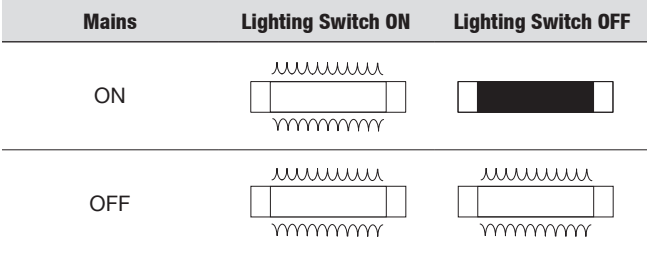
ATEX/IECEX:
Zone 1 and 2 - 21 and 22
Ⓜ II 2 GD
IP66 – IK10

LED/AREA: ATEX/IECEX ENCLOSED AND GASKETED/INCREASED SAFETY

Wiring Diagram



Emergency Function Diagram



LED Status

Color	Indication	Function
Green	LED Blinking	Mains voltage available – Battery charging
	LED Continuous	Mains voltage available – Battery connected and loaded
Green and Red	LED Blinking Alternately (2s)	Mains voltage available – Battery in repair mode
Red	LED Blinking	Mains voltage available – No battery connected OR defective
	LED Continuous	Mains voltage NOT available – Light unit powered by batteries (emergency mode)
	LED Flashing	Mains voltage NOT available – Battery low (emergency mode completed)
Yellow (Orange) and another color	LED Blinking Alternately	Mains voltage available – Last automatic or manual operational check has been unsuccessful
None (Off)	No Light Emitted	Mains voltage NOT available – Battery completely empty

Self-Test: In 3 month intervals batteries are automatically discharged and recharged once.

Emergency Light Duration

Version	Battery Capacity	Duration	Light Output
5K	7 Ah – 6V	3 hours	25%

ATX™ FELED Series Nonmetallic LED Luminaires


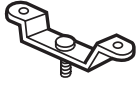



Standard and Emergency Battery Back-Up, Increased Safety

ATEX/IECEx:
Zone 1 and 2 - 21 and 22
Ⓜ II 2 GD
IP66 – IK10

LED/AREA: ATEX/IECEx ENCLOSED AND GASKETED/INCREASED SAFETY

APPLETON™

Accessories and Replacement Parts

	Description	Catalog Number
Fixing Brackets		
	Set of two brackets for surface installation Zinc plated steel	FEFBZ
Brackets for Surface Mounting		
	Set of two 316 stainless steel	FESBS
M8 Ring Bolts		
	Set of two Zinc plated steel	FERBM8Z
Half Clamps Brackets for Pole Mounting		
	Set of two	
	Diameter for 1-1/4 to 1-1/2" pole: 42 mm (1.65 in) to 49 mm (1.93 in)	
	Zinc plated steel	FEHC49Z
	316 stainless steel	FEHC49S
	Diameter for 2" pole: 60 mm (2.36 in)	
	Zinc plated steel	FEHC60Z
316 stainless steel	FEHC60S	
Hinged Brackets		
	Set of two brackets for adjusting luminaire	
	Aluminum	FEHBA
	316 stainless steel	FEHBS
Fall Prevention Kit		
	Safety chain retains fixture temporarily to ease installation	
	For M25 cable entry	FESCM25
	For M20 cable entry	FESCM20


ATX™ FELED Series Nonmetallic LED Luminaires

Standard and Emergency Battery Back-Up, Increased Safety

ATEX/IECEX:
 Zone 1 and 2 - 21 and 22
 Ⓢ II 2 GD
 IP66 – IK10

LED/AREA: ATEX/IECEX ENCLOSED AND GASKETED/INCREASED SAFETY

Accessories and Replacement Parts

	Description	Catalog Number
Replacement Drivers and Inverter		
	FELED3 Replacement Driver (1 each)	APMZ050C135UD55
	FELED4 Replacement Driver (1 each)	APMZ050C135UD80
	FELED5 Standard Model Replacement Driver (1 each)	APMZ050C135UD95
	FELED7 Replacement Driver (2 each)	APMZ050C135UD67
	FELED5 Emergency Model Replacement Driver (1 each)	Z00928
	FELED5 Emergency Model Inverter (1 each)	Z00930
Replacement Lens		
	0.79 m (2.6 ft) clear polycarbonate external lens with gasket	Z00650
	1.39 m (4.6 ft) clear polycarbonate external lens with gasket	Z00651
Battery Pack		
	Battery Pack 6V 7Ah for FELED5 Emergency version	Z00848

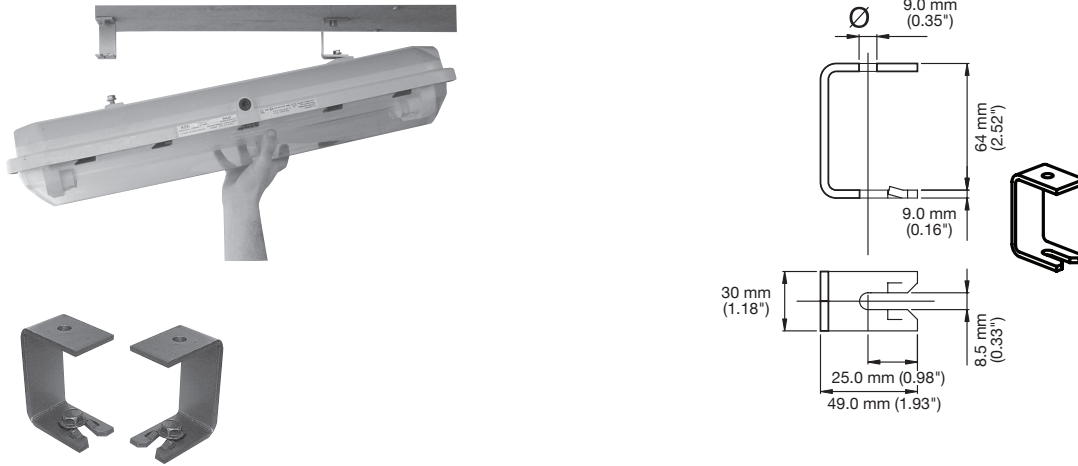
ATX™ FELED Series Nonmetallic LED Luminaires

Standard and Emergency Battery Back-Up, Increased Safety

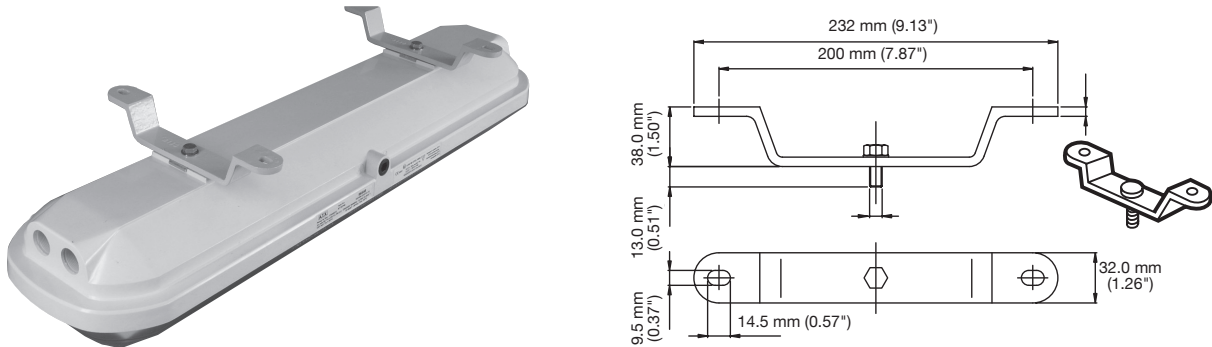
ATEX/IECEx:
 Zone 1 and 2 - 21 and 22
 II 2 GD
 IP66 - IK10

Mounting Options Dimensions in Millimeters (Inches)

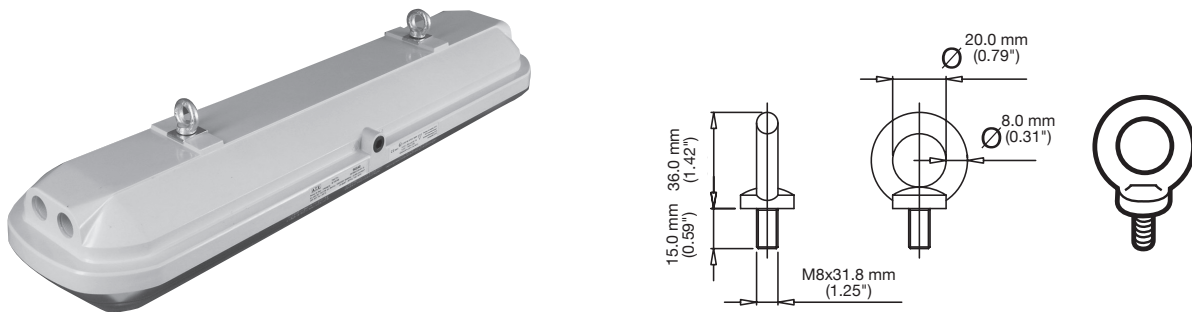
FEFBZ: zinc plated steel — Set of two quick fixing brackets for ease of surface mounting



FESBS: 316 stainless steel — Set of two brackets for surface mounting



FERBM8Z: zinc plated steel — Set of two ring bolts



LED/AREA: ATEX/IECEx ENCLOSED AND GASKETED/INCREASED SAFETY

APPLETON™

ATX™ FELED Series Nonmetallic LED Luminaires

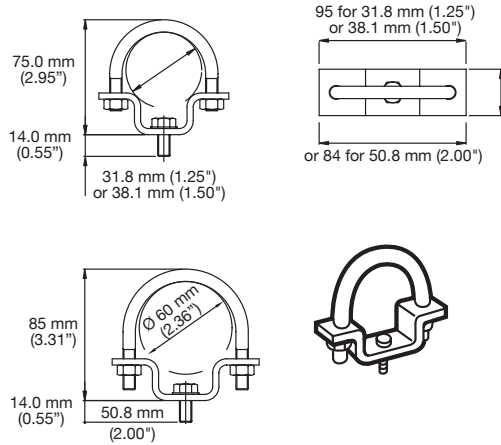
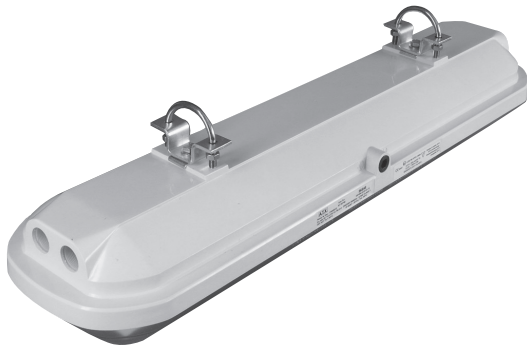
Standard and Emergency Battery Back-Up, Increased Safety

ATEX/IECEx:
 Zone 1 and 2 - 21 and 22
 II 2 GD
 IP66 - IK10

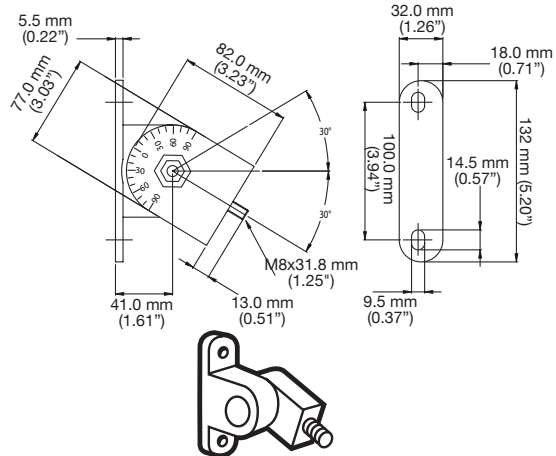
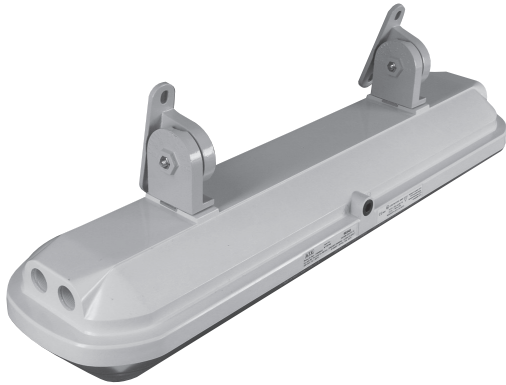
LED/AREA: ATEX/IECEx ENCLOSED AND GASKETED/INCREASED SAFETY

Mounting Options Dimensions in Millimeters (Inches)

FEHC49Z: zinc plated steel or FEHC49S: 316 stainless steel — Set of two clamps for pole diameter 42 mm to 49 mm (for 1-1/4" to 1-1/2" pole).
 FEHC60Z: zinc plated steel or FEHC60S: 316 stainless steel — Set of two clamps for pole diameter 60 mm (for 2" pole).



FEHBA: aluminum or FEHBS: 316 stainless steel — Set of two hinged brackets for adjusting luminaire.



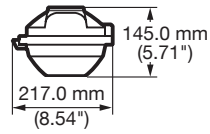
APPLETON™

ATX™ FELED Series Nonmetallic LED Luminaires

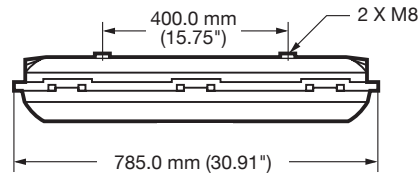
Standard and Emergency Battery Back-Up, Increased Safety

ATEX/IECEX:
 Zone 1 and 2 - 21 and 22
 Ⓢ II 2 GD
 IP66 - IK10

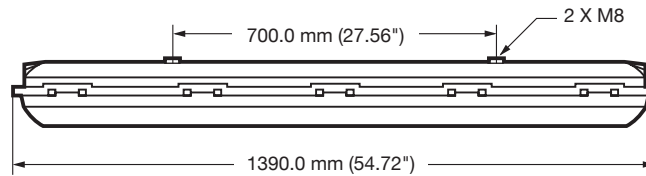
Luminaire Dimensions in Millimeters (Inches)



End View



Side View — 0.785 m (2.58 ft)



Side View — 1.39 m (4.56 ft) Version

LED/AREA: ATEX/IECEX ENCLOSED AND GASKETED/INCREASED SAFETY

APPLETON™

ATX™ FELED Series Nonmetallic LED Luminaires

Standard and Emergency Battery Back-Up, Increased Safety

ATEX/IECEx:
 Zone 1 and 2 - 21 and 22
 II 2 GD
 IP66 - IK10

LED/AREA: ATEX/IECEx ENCLOSED AND GASKETED/INCREASED SAFETY

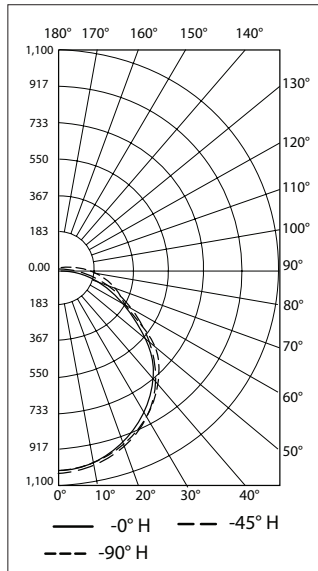
Photometric Data — DATA SHOWN IS ABSOLUTE

5000K CCT, With Diffuser

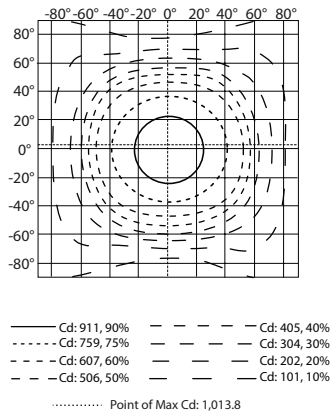
REPORT NUMBER: FELED3CBUxxD

Luminaire Lumens: 3,057

POLAR CANDELA DISTRIBUTION



ISOCANDELA PLOT



ZONAL LUMEN SUMMARY

Zone	Lumens	% Lamp	% Luminaire
0-30	785.8	25.7%	25.7%
0-40	1,285.8	42%	42.1%
0-60	2,256.9	73.8%	73.8%
60-90	650.7	21.3%	21.3%
70-100	385.9	12.6%	12.6%
90-120	133.2	4.4%	4.4%
0-90	2,907.6	95.1%	95.1%
90-180	150.1	4.9%	4.9%
0-180	3,057.7	100%	100%

LUMENS PER ZONE

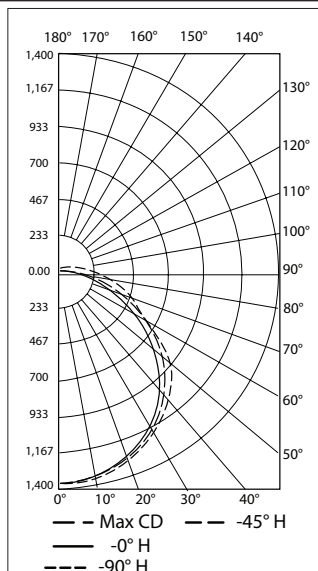
Zone	Lumens	% Total	Zone	Lumens	% Total
0-10	95.8	3.1%	90-100	58.8	1.9%
10-20	274.2	9.0%	100-110	43.6	1.4%
20-30	415.8	13.6%	110-120	30.8	1%
30-40	500.0	16.4%	120-130	11.0	0.4%
40-50	519.2	17.0%	130-140	2.3	0.1%
50-60	451.8	14.8%	140-150	1.4	0%
60-70	323.6	10.6%	150-160	1.1	0%
70-80	209.4	6.8%	160-170	0.8	0%
80-90	117.6	3.8%	170-180	0.3	0%

5000K CCT, With Diffuser

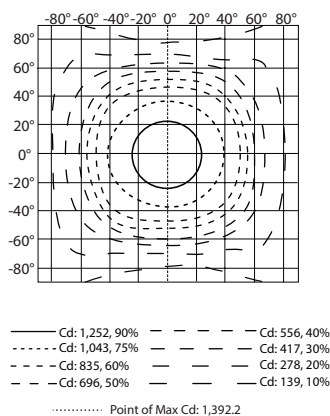
REPORT NUMBER: FELED4CBUxxD

Luminaire Lumens: 4,195

POLAR CANDELA DISTRIBUTION



ISOCANDELA PLOT



ZONAL LUMEN SUMMARY

Zone	Lumens	% Lamp	% Luminaire
0-30	1,078.1	25.7%	25.7%
0-40	1,763.6	42%	42%
0-60	3,095.2	73.8%	73.8%
60-90	894.2	21.3%	21.3%
70-100	530.3	12.6%	12.6%
90-120	182.8	4.4%	4.4%
0-90	3,989.4	95.1%	95.1%
90-180	206.3	4.9%	4.9%
0-180	4,195.7	100%	100%

LUMENS PER ZONE

Zone	Lumens	% Total	Zone	Lumens	% Total
0-10	131.5	3.1%	90-100	80.8	1.9%
10-20	376.3	9.0%	100-110	59.7	1.4%
20-30	570.3	13.6%	110-120	42.3	1%
30-40	685.5	16.3%	120-130	15.3	0.4%
40-50	712.1	17.0%	130-140	3.3	0.1%
50-60	619.5	14.8%	140-150	2.0	0%
60-70	444.6	10.6%	150-160	1.5	0%
70-80	288.2	6.9%	160-170	1.1	0%
80-90	161.4	3.8%	170-180	0.4	0%

ATX™ FELED Series Nonmetallic LED Luminaires

Standard and Emergency Battery Back-Up, Increased Safety

ATEX/IECEx:
Zone 1 and 2 - 21 and 22
II 2 GD
IP66 - IK10

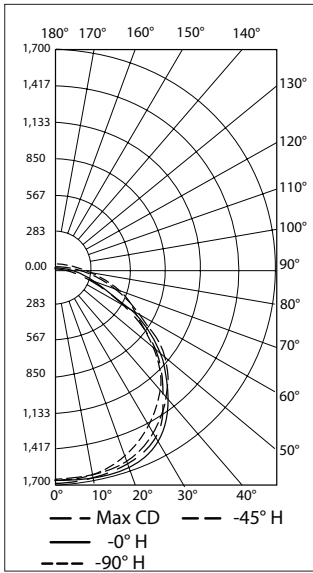
Photometric Data – DATA SHOWN IS ABSOLUTE

5000K CCT, With Diffuser

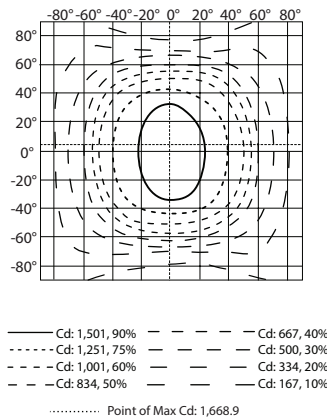
REPORT NUMBER: FELED5CBUxxD

Luminaire Lumens: 5,289

POLAR CANDELA DISTRIBUTION



ISOCANDELA PLOT



ZONAL LUMEN SUMMARY

Zone	Lumens	% Lamp	% Luminaire
0-30	1,326.7	25.1%	25.1%
0-40	2,201.8	41.6%	41.6%
0-60	3,907.1	73.9%	73.9%
60-90	1,149.8	21.7%	21.7%
70-100	671.2	12.7%	12.7%
90-120	209.3	4%	4%
0-90	5,057.0	95.6%	95.6%
90-180	232.5	4.4%	4.4%
0-180	5,289.5	100%	100%

LUMENS PER ZONE

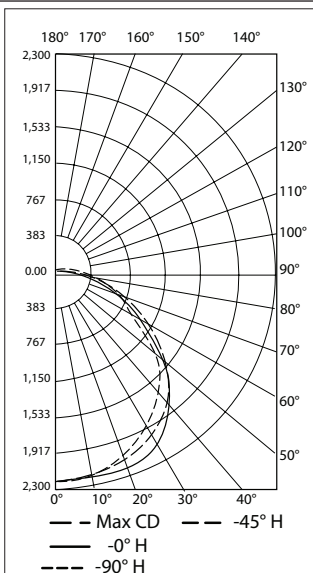
Zone	Lumens	% Total	Zone	Lumens	% Total
0-10	158.0	3.0%	90-100	100.4	1.9%
10-20	458.6	8.7%	100-110	64.4	1.2%
20-30	710.2	13.4%	110-120	44.6	0.8%
30-40	875.0	16.5%	120-130	15.6	0.3%
40-50	913.0	17.3%	130-140	3.0	0.1%
50-60	792.3	15.0%	140-150	1.8	0%
60-70	579.0	10.9%	150-160	1.4	0%
70-80	370.8	7.0%	160-170	1.0	0%
80-90	200.1	3.8%	170-180	0.4	0%

5000K CCT, With Diffuser

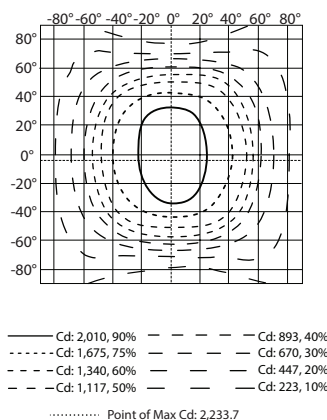
REPORT NUMBER: FELED7CBUxxD

Luminaire Lumens: 7,038

POLAR CANDELA DISTRIBUTION



ISOCANDELA PLOT



ZONAL LUMEN SUMMARY

Zone	Lumens	% Lamp	% Luminaire
0-30	1,784.7	24.9%	24.9%
0-40	2,966.4	41.3%	41.3%
0-60	5,282.4	73.6%	73.6%
60-90	1,560.7	21.7%	21.7%
70-100	911.3	12.7%	12.7%
90-120	304.8	4.2%	4.2%
0-90	6,843.1	95.3%	95.3%
90-180	337.9	4.7%	4.7%
0-180	7,180.9	100%	100%

LUMENS PER ZONE

Zone	Lumens	% Total	Zone	Lumens	% Total
0-10	211.9	3.0%	90-100	138.3	1.9%
10-20	615.8	8.6%	100-110	97.5	1.4%
20-30	957.1	13.3%	110-120	69.0	1%
30-40	1,181.6	16.5%	120-130	22.9	0.3%
40-50	1,235.6	17.2%	130-140	3.9	0.1%
50-60	1,080.4	15.0%	140-150	2.5	0%
60-70	787.7	11.0%	150-160	1.9	0%
70-80	499.0	6.9%	160-170	1.4	0%
80-90	274.0	3.8%	170-180	0.5	0%

ATX™ FELED Series Nonmetallic LED Luminaires

Standard and Emergency Battery Back-Up, Increased Safety

ATEX/IECEX:
 Zone 1 and 2 - 21 and 22
 II 2 GD
 IP66 - IK10

LED/AREA: ATEX/IECEX ENCLOSED AND GASKETED/INCREASED SAFETY

APPLETON™

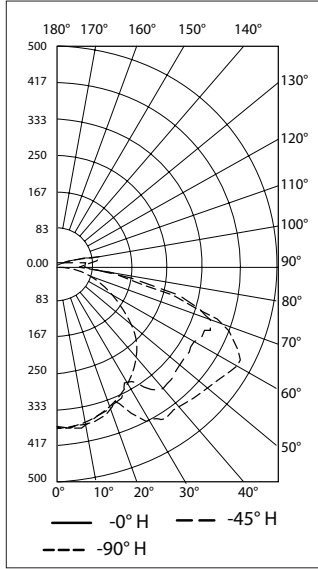
Photometric Data — DATA SHOWN IS ABSOLUTE

5000K CCT, Without Diffuser

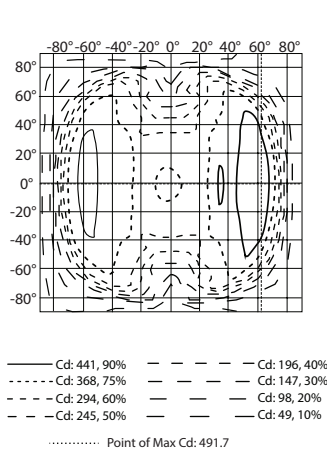
REPORT NUMBER: FELEDI3CBUxxD

Luminaire Lumens: 1,885

POLAR CANDELA DISTRIBUTION



ISOCANDELA PLOT



ZONAL LUMEN SUMMARY

Zone	Lumens	% Lamp	% Luminaire
0-30	298.8	15.8%	15.8%
0-40	524.2	27.8%	27.8%
0-60	1,113.0	59%	59%
60-90	681.6	36.1%	36.1%
70-100	404.4	21.4%	21.4%
90-120	88.3	4.7%	4.7%
0-90	1,794.6	95.2%	95.2%
90-180	91.1	4.8%	4.8%
0-180	1,885.8	100%	100%

LUMENS PER ZONE

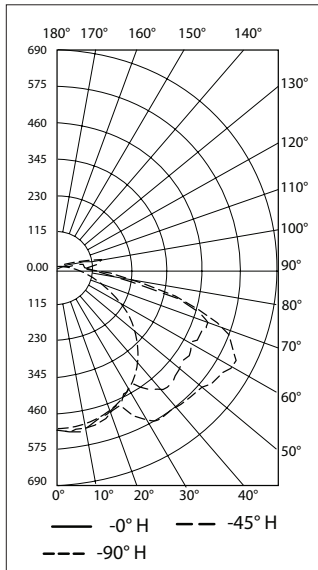
Zone	Lumens	% Total	Zone	Lumens	% Total
0-10	35.5	1.9%	90-100	61.1	3.2%
10-20	102.3	5.4%	100-110	22.7	1.2%
20-30	161.0	8.5%	110-120	4.5	0.2%
30-40	225.4	12.0%	120-130	1.1	0.1%
40-50	274.5	14.6%	130-140	0.6	0%
50-60	314.3	16.7%	140-150	0.5	0%
60-70	338.3	17.9%	150-160	0.3	0%
70-80	256.5	13.6%	160-170	0.2	0%
80-90	86.7	4.6%	170-180	0.1	0%

5000K CCT, Without Diffuser

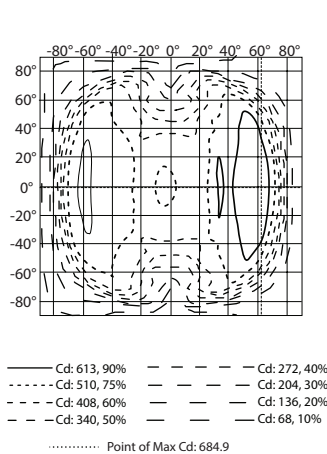
REPORT NUMBER: FELEDI4CBUxxD

Luminaire Lumens: 2,616

POLAR CANDELA DISTRIBUTION



ISOCANDELA PLOT



ZONAL LUMEN SUMMARY

Zone	Lumens	% Lamp	% Luminaire
0-30	415.1	15.9%	15.9%
0-40	728.5	27.8%	27.8%
0-60	1,544.6	59%	59%
60-90	938.5	35.9%	35.9%
70-100	559.9	21.4%	21.4%
90-120	129.0	4.9%	4.9%
0-90	2,483.1	94.9%	94.9%
90-180	133.5	5.1%	5.1%
0-180	2,616.6	100%	100%

LUMENS PER ZONE

Zone	Lumens	% Total	Zone	Lumens	% Total
0-10	49.2	1.9%	90-100	86.8	3.3%
10-20	142.1	5.4%	100-110	35.5	1.4%
20-30	223.8	8.6%	110-120	6.8	0.3%
30-40	313.4	12.0%	120-130	1.8	0.1%
40-50	381.1	14.6%	130-140	1.0	0%
50-60	434.9	16.6%	140-150	0.7	0%
60-70	465.4	17.8%	150-160	0.5	0%
70-80	351.9	13.4%	160-170	0.4	0%
80-90	121.2	4.6%	170-180	0.1	0%

ATX™ FELED Series Nonmetallic LED Luminaires

Standard and Emergency Battery Back-Up, Increased Safety

ATEX/IECEX:
Zone 1 and 2 - 21 and 22
II 2 GD
IP66 - IK10

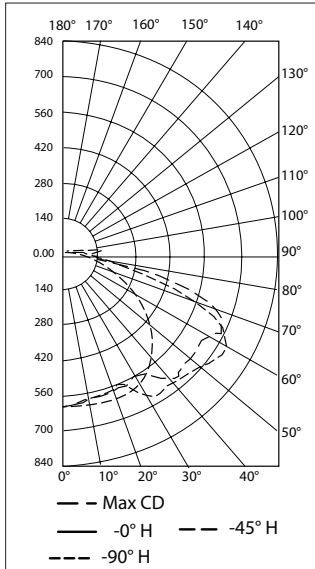
Photometric Data – DATA SHOWN IS ABSOLUTE

5000K CCT, Without Diffuser

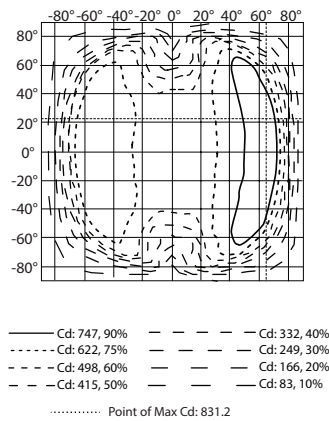
REPORT NUMBER: FELED15CBUxxD

Luminaire Lumens: 3,259

POLAR CANDELA DISTRIBUTION



ISOCANDELA PLOT



ZONAL LUMEN SUMMARY

Zone	Lumens	% Lamp	% Luminaire
0-30	492.7	15.1%	15.1%
0-40	871.6	26.7%	26.7%
0-60	1,896.1	58.2%	58.2%
60-90	1,230.2	37.7%	37.7%
70-100	730.9	22.4%	22.4%
90-120	130.1	4%	4%
0-90	3,126.3	95.9%	95.9%
90-180	133.6	4.1%	4.1%
0-180	3,259.9	100%	100%

LUMENS PER ZONE

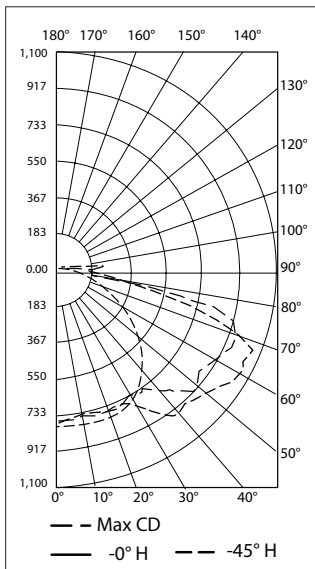
Zone	Lumens	% Total	Zone	Lumens	% Total
0-10	56.9	1.7%	90-100	94.5	2.9%
10-20	166.1	5.1%	100-110	29.9	0.9%
20-30	269.7	8.3%	110-120	5.7	0.2%
30-40	378.9	11.6%	120-130	1.4	0%
40-50	474.7	14.6%	130-140	0.8	0%
50-60	549.7	16.9%	140-150	0.6	0%
60-70	593.9	18.2%	150-160	0.4	0%
70-80	470.7	14.4%	160-170	0.3	0%
80-90	165.7	5.1%	170-180	0.1	0%

5000K CCT, Without Diffuser

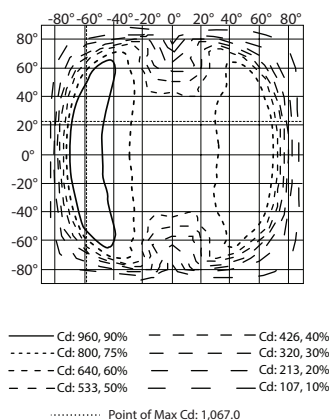
REPORT NUMBER: FELED17CBUxxD

Luminaire Lumens: 4,200

POLAR CANDELA DISTRIBUTION



ISOCANDELA PLOT



ZONAL LUMEN SUMMARY

Zone	Lumens	% Lamp	% Luminaire
0-30	621.8	14.8%	14.8%
0-40	1,099.5	26.2%	26.2%
0-60	2,396.9	57.1%	57.1%
60-90	1,619.2	38.6%	38.6%
70-100	979.1	23.3%	23.3%
90-120	179.5	4.3%	4.3%
0-90	4,016.1	95.6%	95.6%
90-180	184.2	4.4%	4.4%
0-180	4,200.3	100%	100%

LUMENS PER ZONE

Zone	Lumens	% Total	Zone	Lumens	% Total
0-10	71.9	1.7%	90-100	127.5	3%
10-20	210.0	5.0%	100-110	43.9	1%
20-30	339.8	8.1%	110-120	8.1	0.2%
30-40	477.8	11.4%	120-130	1.9	0%
40-50	599.1	14.3%	130-140	1.0	0%
50-60	698.3	16.6%	140-150	0.8	0%
60-70	767.6	18.3%	150-160	0.6	0%
70-80	633.3	15.1%	160-170	0.4	0%
80-90	218.3	5.2%	170-180	0.1	0%