


Dk-Lok USA

161 West I-65 Service Road

Mobile, AL 36608

Phone: (251) 472-9580

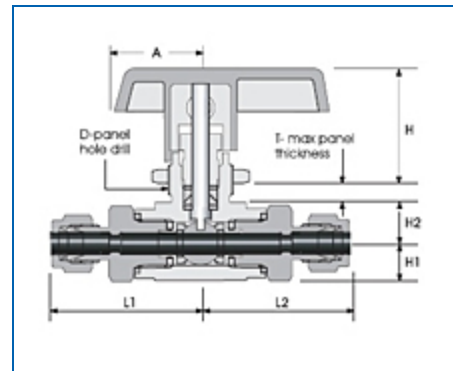
Fax: (251) 450-0962 or (800) 287-8186

info@dklokusa.com

Item # VH86C-3B-D-12T-S, VH86 Series Multi Purpose Ball Valves

Features

- High flow in a compact design.
- High pressure capacity designed for blow-out proof with internally loaded ball stem.
- Micro-finished ball provides a positive seal.
- 90 degree actuation for 2-way and 180 degree actuation for 3-way ball valves.
- Panel mounting as standard.
- Chevron stem seal, adjustable with the handle disassembled.
- Handle indicates flow direction.
- Low operating torques and positive handle stops.
- Optional pneumatic actuation.



[Specifications](#) | [Dimensions](#)

Specifications

Type	3-way Diverter Ball Valve
Valve Series	VH86C-3B
Valve Body Material	Stainless Steel 316
Seat Sealing Material	PCTFE
Stem Packing Sealing Materials	PTFE

Retainer/End Seal Sealing Materials	PTFE
Pressure Rating at -27 to 37 °C (-20 to 100 °F)	4000 psig (275 bar)
Temperature Rating	-50 to 180°C (-58 to 355°F)
End Connection	Dk-Lok
Size Inlet x Outlet	3/4" Dk-Lok x 3/4" Dk-Lok
Optional Sour Gas Service	Yes

Dimensions

Orifice	10.3
Cv	3.62
L1	59.2 mm
L2	59.2 mm
H1	68.1 mm
H2	17.8 mm
H	44.2 mm
A	38.1 mm
D	22.9 mm
T	9.7 mm