


**Dk-Lok USA**

161 West I-65 Service Road

Mobile, AL 36608

**Phone:** (251) 472-9580

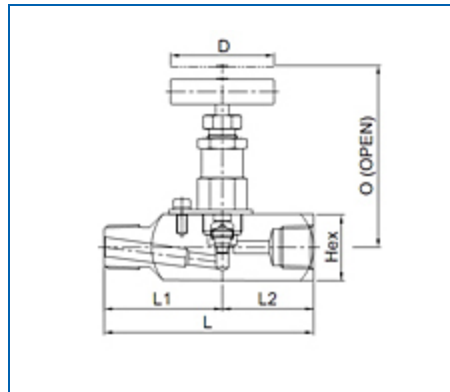
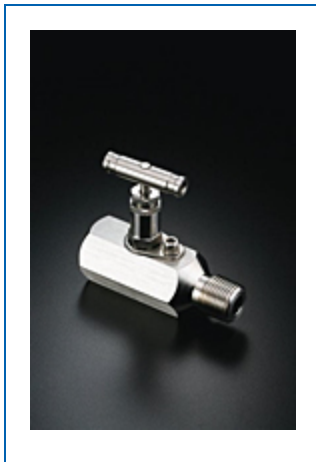
**Fax:** (251) 450-0962 or (800) 287-8186

[info@dklokusa.com](mailto:info@dklokusa.com)

## Item # V46A-MF-8N-S, V46A Series Hex. Body Needle Valves

### Features

- **Packing bolt** permits packing adjustment externally.
- **Chevron PTFE packing** design provides far improved sealing integrity.
- **Packing** below stem threads is to isolate **threads** from system fluid and lubricant washout.
- **Non-rotating** stem tip at closure for long-life and leak-tight shutoff.
- **Lock plate** ensures the valve fastened to the body.
- **NACE MR0175/ISO 15156-3** applicable.



### [Specifications](#) | [Dimensions](#)

#### Specifications

<b>Series</b>	Hex. Body Needle Valves
<b>End Connection</b>	Male NPT to Female NPT
<b>Size Inlet x Outlet</b>	1/2" Male NPT x 1/2" Female NPT
<b>Body Material</b>	Stainless Steel
<b>Packing Material</b>	PTFE
<b>Temperature Rating</b>	-54 to 232°C (-65 to 450°F)

<b>Pressure Rating at 38 °C (100 °F)</b>	689 bar (10000 psig)
--	----------------------

<b>Sour Gas Valve</b>	Optional
-----------------------	----------

## Dimensions

<b>Orifice</b>	4.7
<b>Cv</b>	0.83
<b>L</b>	88.9 mm
<b>MAX OPEN</b>	67.2 mm
<b>L1</b>	57.1 mm
<b>Hex</b>	31.8 mm
<b>D</b>	45 mm