


**Dk-Lok USA**

161 West I-65 Service Road

Mobile, AL 36608

**Phone:** (251) 472-9580

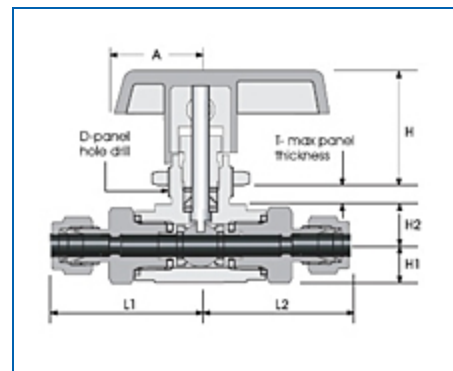
**Fax:** (251) 450-0962 or (800) 287-8186

[info@dklokusa.com](mailto:info@dklokusa.com)

## Item # VH86A-3B-D-4T-S, VH86 Series Multi Purpose Ball Valves

### Features

- High flow in a compact design.
- High pressure capacity designed for blow-out proof with internally loaded ball stem.
- Micro-finished ball provides a positive seal.
- 90 degree actuation for 2-way and 180 degree actuation for 3-way ball valves.
- Panel mounting as standard.
- Chevron stem seal, adjustable with the handle disassembled.
- Handle indicates flow direction.
- Low operating torques and positive handle stops.
- Optional pneumatic actuation.



### [Specifications](#) | [Dimensions](#)

#### Specifications

<b>Type</b>	3-way Diverter Ball Valve
<b>Valve Series</b>	VH86A-3B
<b>Valve Body Material</b>	Stainless Steel 316
<b>Seat Sealing Material</b>	PCTFE
<b>Stem Packing Sealing Materials</b>	PTFE

<b>Retainer/End Seal Sealing Materials</b>	PTFE
<b>Pressure Rating at -27 to 37 °C (-20 to 100 °F)</b>	6000 psig (413 bar)
<b>Temperature Rating</b>	-30 to 180°C (-22 to 355°F)
<b>End Connection</b>	Dk-Lok
<b>Size Inlet x Outlet</b>	1/4" Dk-Lok x 1/4" Dk-Lok
<b>Optional Sour Gas Service</b>	Yes

## Dimensions

<b>Orifice</b>	4.2
<b>Cv</b>	0.63
<b>L1</b>	37.6 mm
<b>L2</b>	37.6 mm
<b>H1</b>	39.6 mm
<b>H2</b>	8.4 mm
<b>H</b>	23.9 mm
<b>A</b>	19.1 mm
<b>D</b>	14.7 mm
<b>T</b>	3.3 mm