

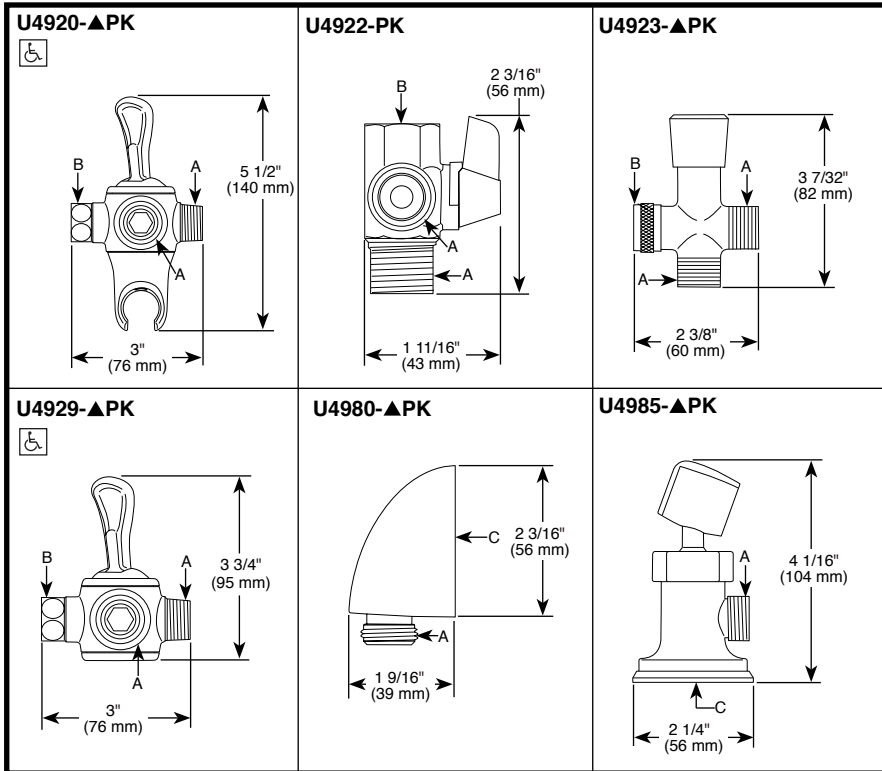
Submitted Model No.: \_\_\_\_\_

Specific Features: \_\_\_\_\_



see what Delta can do™

# Shower Accessories



▲ Designate proper finish suffix

### Thread Specification:

A	1/2-14 NPSM-2A
B	1/2-14 NPSM-2B
C	1/2-14 NPT-2B

### STANDARD SPECIFICATIONS:

- ADA compliant flip lever: U4920-▲PK, U4929-▲PK
- Water supply elbow: U4980-▲PK.
- Water supply elbow with mount: U4985-▲PK
- Diverters: U4920-▲PK, U4922-PK, U4923-▲PK, U4929-▲PK

### WARRANTY

- Parts and Finish – Lifetime limited warranty; or for commercial purchasers, 10 years for multi-family residential (apartments and condominiums) and 5 years for all other commercial uses, in each case from the date of purchase.
- Electronic Parts and Batteries (if applicable) – 5 years from the date of purchase; or for commercial purchasers, 1 year from the date of purchase. No warranty is provided on batteries.

### COMPLIES WITH:

- ☐ Indicates compliance to ICC/ANSI A117.1 - Applies to U4920-▲PK & U4929-▲PK only

Delta reserves the right (1) to make changes in specifications and materials, and (2) to change or discontinue models, both without notice or obligation. Dimensions are for reference only. See current full-line price book or [www.deltafaucet.com](http://www.deltafaucet.com) for finish options and product availability.

DSP-B-U4920-PK Rev. E

### Delta Faucet Company

55 E. 111th Street, Indianapolis, IN 46280  
 350 South Edgeware Road, St. Thomas, ON N5P 4L1  
 © 2020 Delta Faucet Company