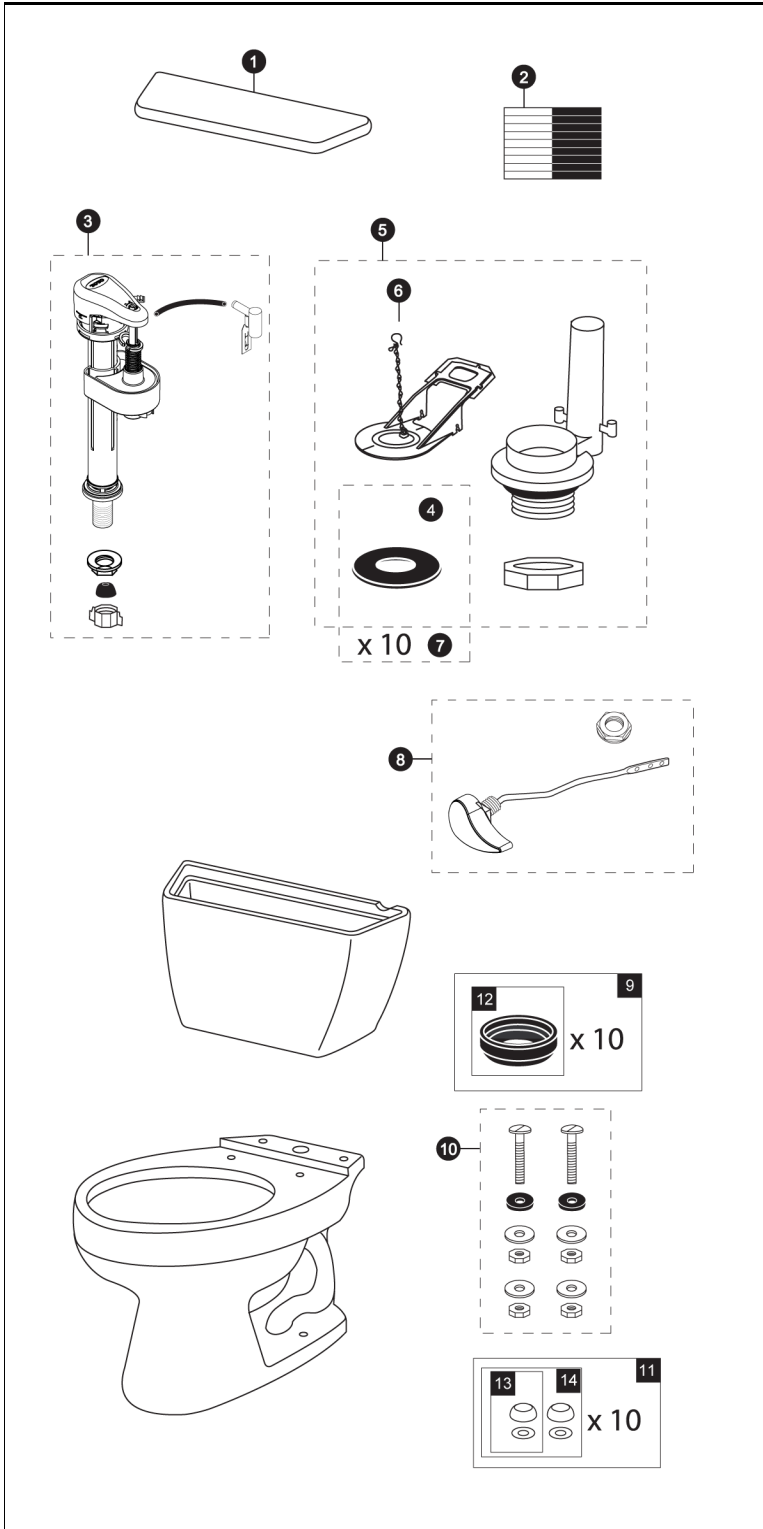


CST744SD  
ST743SD  
C744S

**Drake®**

**1.6 Gpf Toilet, Elongated,  
G-Max®, 12" Rough-In,  
Insulated Tank**



Items	Parts	Description
1	TCU743CR#01	Tank Lid w/ Velcro Tape - Cotton
	TCU743CR#03	Tank Lid w/ Velcro Tape - Bone
	TCU743CR#11	Tank Lid w/ Velcro Tape - Colonial White
	TCU743CR#12	Tank Lid w/ Velcro Tape - Sedona Beige
	TCU743CR#51	Tank Lid w/ Velcro Tape - Ebony
2	THU107	Velcro Tape
3	TSU53A	Fill Valve
4	9BU001ER	Flapper Gasket
5	THU130	Flush Valve
6	THU092-7	Flapper w/ Chain - Insulated Tank
	THU096	Flapper Gaskets (10 pieces)
8	THU068#01	Trip Lever - Cotton
	THU068#03	Trip Lever - Bone
	THU068#11	Trip Lever - Colonial White
	THU068#12	Trip Lever - Sedona Beige
	THU068#51	Trip Lever - Ebony
	THU068#CP	Trip Lever - Chrome Plated
	THU068#BN	Trip Lever - Brushed Nickel
THU068#PN	Trip Lever - Polished Nickel	
9	THU131	Tank to Bowl Gaskets (10 pieces)
10	TSU01D	Tank Mounting Kit
11	THU098#01	Bolt Cap Sets - Cotton (20 pieces)
	THU098#03	Bolt Cap Sets - Bone (20 pieces)
	THU098#11	Bolt Cap Sets - Colonial White (20 pieces)
	THU098#12	Bolt Cap Sets - Sedona Beige (20 pieces)
	THU098#51	Bolt Cap Sets - Ebony (20 pieces)
12	9BU024E	3" Tank to Bowl Gasket
13	THU044#01	Bolt Cap Set - Cotton
	THU044#03	Bolt Cap Set - Bone
	THU044#11	Bolt Cap Set - Colonial White
	THU044#12	Bolt Cap Set - Sedona Beige
	THU044#51	Bolt Cap Set - Ebony
14	THU044S#01	Bolt Cap Set - Cotton (2 pieces)
	THU044S#03	Bolt Cap Set - Bone (2 pieces)
	THU044S#11	Bolt Cap Set - Colonial White (2 pieces)
	THU044S#12	Bolt Cap Set - Sedona Beige (2 pieces)
	THU044S#51	Bolt Cap Set - Ebony (2 pieces)

**Note:**

**Product Number Explanations**

**Two-Piece Toilet**

(CST) Gravity Type Toilet  
(744) Model  
(S) G-Max®  
(D) Insulated Tank

**Tank**

(ST) Tank  
(743) Model  
(S) G-Max®  
(D) Insulated Tank

**Bowl**

(C) Bowl  
(744) Model  
(S) G-Max®

Actual Product may vary slightly from illustration.