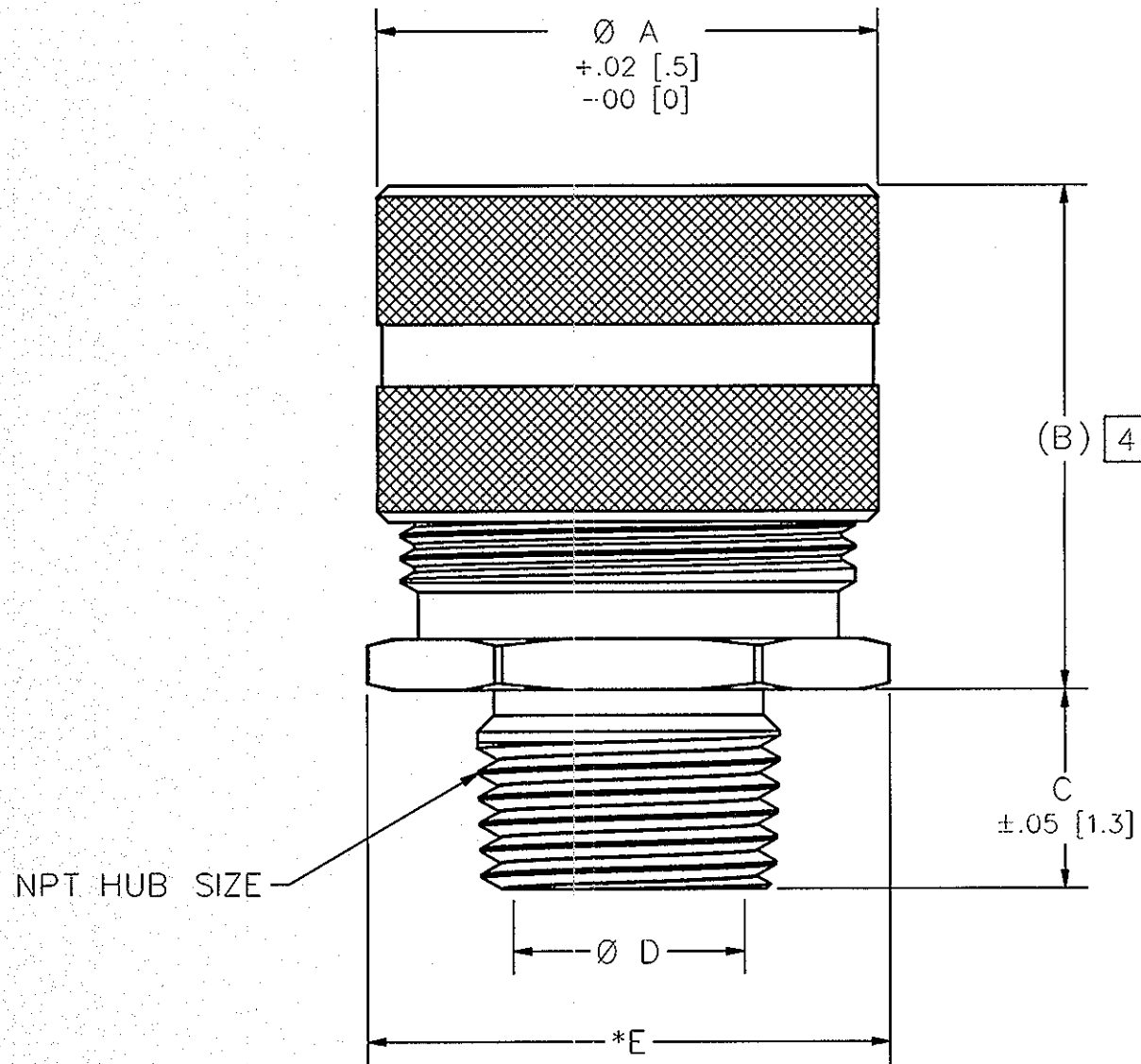


M-12915

1

CATALOG NUMBER	BODY COLOR	GOTCHA RING COLOR CODE	NPT HUB SIZE	CORD DIA. RANGE	Ø A (OVERALL)	(B) 4	C	Ø D (THROAT DIA.)	*E ACROSS CORNERS	*E ACROSS FLATS
SHC1025	ALUMINUM	BLUE	1/2"	.38-.50 [9.7-12.7]	1.38 [35.1]	1.50 [38.1]	.55 [14.0]	.64 [16.3]	1.40 [35.6]	1.25 [31.8]
SHC1026	ALUMINUM	BROWN	1/2"	.50-.63 [12.7-15.9]	1.38 [35.1]	1.50 [38.1]	.55 [14.0]	.64 [16.3]	1.40 [35.6]	1.25 [31.8]
SHC1027	ALUMINUM	YELLOW	1/2"	.63-.75 [15.9-19.0]	1.38 [35.1]	1.50 [38.1]	.55 [14.0]	.64 [16.3]	1.40 [35.6]	1.25 [31.8]
SHC1028	ALUMINUM	ORCHID	1/2"	.75-.88 [19.0-22.2]	1.38 [35.1]	1.50 [38.1]	.55 [14.0]	.64 [16.3]	1.40 [35.6]	1.25 [31.8]
SHC1036	ALUMINUM	BROWN	3/4"	.50-.63 [12.7-15.9]	1.38 [35.1]	1.50 [38.1]	.55 [14.0]	.82 [20.8]	1.40 [35.6]	1.25 [31.8]
SHC1037	ALUMINUM	YELLOW	3/4"	.63-.75 [15.9-19.0]	1.38 [35.1]	1.50 [38.1]	.55 [14.0]	.82 [20.8]	1.40 [35.6]	1.25 [31.8]
SHC1038	ALUMINUM	ORCHID	3/4"	.75-.88 [19.0-22.2]	1.38 [35.1]	1.50 [38.1]	.55 [14.0]	.82 [20.8]	1.40 [35.6]	1.25 [31.8]

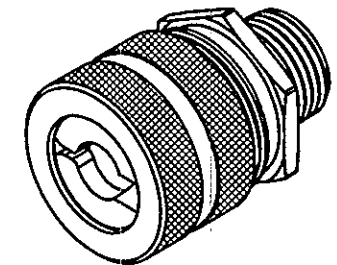


NOTES:

1. DIMENSIONS ARE IN INCHES [MM].
2. LOCKNUT PURCHASED SEPARATELY.
3. BUSHING COATED WITH AMBER PETROLEUM JELLY.
- 4 REFERENCE ONLY, DIMENSION MAY VARY.

LIST OF PARTS

DESCRIPTION	MATERIAL	FINISH
CORD CONNECTOR BODY STR. MALE	ALUMINUM	
BUSHING	BLACK NEOPRENE	SEE NOTE 3
GOTCHA RING	NYLON	SEE TABLE
NUT	ALUMINUM	



CATALOG NO. SHC1025
(NOT SHOWN TO SCALE)

1	INITIAL RELEASE PER DCN 21189	DDL	05/06/15
REV	DESCRIPTION	APP	DATE

THE DESIGN AND DIMENSIONS OF THE PRODUCT SHOWN ON THIS DRAWING ARE SUBJECT TO CHANGE WITHOUT NOTICE

TITLE
STRAIGHT ALUMINUM CORD CONNECTOR FORM 3

TOLERANCES UNLESS OTHERWISE SPECIFIED	WIRING DEVICE-KELLEMS HUBBELL INCORPORATED SHELTON, CT		
.XX = ± .01	DR. BY	SR	APP. BY
.XXX = ± .005	TR. BY		SCALE 2:1
ANGLES = ± 2'	CHK. BY	DDL	DATE 05/06/15

DIMENSION SHEET FOR CAT. NO. SEE TABLE

REPAIRABLE NON-REPAIRABLE

B

M-12915

1