

50 Amp, 125/250, 3Ø 250 Volts and 3Ø 480 Volts AC

IP20
SUITABILITY



50A
125/250V AC
UL/CSA



50A
3Ø 250V AC
UL/CSA



50A
3Ø 480V AC
UL/CSA

Plugs

| Description | Cord Dia. | Catalog Number | | |
|--|-------------------------------|----------------|----------------|----------------|
| Nylon cover, thermoplastic polyester interior. | .830"-1.250" (21.08-31.75) | CS6365C | CS8365C | CS8165C |

Note: See page B-62 for accessories.



Flanged Inlets

| Description | Catalog Number | | |
|---|------------------|---------------|---------------|
| Zinc plated steel casing, thermoset interior. | CS6375 | CS8375 | CS8175 |
| Zinc plated steel casing, thermoset interior with lift cover. | CS6375M2 | - | - |
| Gray Valox® housing and flange. | HBL6375S* | - | - |

Note: *Type 3R, (Not shown).



IP20
SUITABILITY



50A
125/250V AC
UL/CSA



50A
3Ø 250V AC
UL/CSA

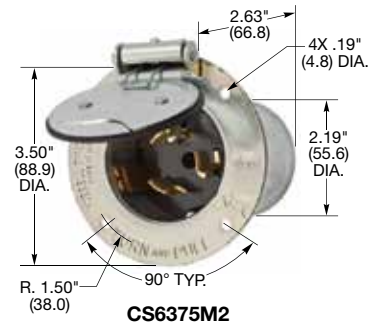


50A
3Ø 480V AC
UL/CSA

Connector Bodies

| Description | Cord Dia. | Catalog Number | | |
|--|-------------------------------|----------------|-------------------|----------------|
| Nylon cover, thermoplastic polyester interior. | .830"-1.250" (21.08-31.75) | CS6364C | CS8364C | CS8164C |
| Insulgrip® Connector with conduit adapter. Capable of accepting metallic or non-metallic conduit fittings. | ½" NPT Size | - | CS8364CA05 | - |
| | ¾" NPT Size | - | CS8364CA34 | - |
| | 1" NPT Size | - | CS8364CA10 | - |

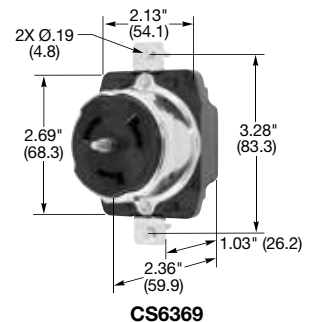
Note: See page B-62 for accessories.



Receptacles

| Description | Catalog Number | | |
|-----------------|----------------|---------------|---------------|
| Black phenolic. | CS6369 | CS8369 | CS8169 |

Note: See page B-62 for accessories.



Valox® is a trademark of SABIC Innovative Plastics, acquired from General Electric Company.

Dimensions in Inches (mm)