

HUBBELL Single Gang Floor Box for Concrete Floors

Power and Style in Hard-to-Reach Places!

- Brushed aluminum or brushed brass plated
- Round cover for easy mounting and orientation
- Low profile cover
- Perfect for spaces without wall outlets



FEATURES

- Recessed design minimizes plug protrusion
- Post-pour adjustability
- Line and low voltage options

SPECIFICATIONS

- Flange height 0.12 inch, diameter 6.00 inch
- Two openings for cable egress
- Plated die-cast aluminum (ADC12)
- 4 inch minimum concrete pour

STANDARDS/LISTINGS/VERIFICATIONS

- Box and Cover - Complies with UL Listing 514C for scrub water test
- Complies with ADA Standards for Accessible Design – Section 4.5.2 - Changes in Level
- Load tested to withstand up to 300 lbs
- UL Listed E92074 floor box

APPLICATIONS

- Large family rooms
- Entertainment centers
- Near glass partition walls
- Underneath furniture

Hubbell's die-cast aluminum floor box covers are now available in two new finishes: brushed aluminum and brushed brass plated to complement a variety of interiors. These covers feature a recessed design that enables the access door to be closed while in use, minimizing plug protrusion and allowing furniture to be located over the plug. The push-in-place leveling system makes slab-on-grade installations a simple and adjustable process.

Hubbell's floor box outlets comply with NEC® code 210.52 which states that floor receptacles can count as part of the required number of outlets when located within 18 inches of a wall. Floor boxes provide aesthetic, readily-available power and are especially beneficial in places where wall outlets are not always an option, such as along glass exterior walls or in larger rooms.



Low profile cover, closed design minimizes cord protrusion for increased safety.



NEC® is a registered trademark of the National Fire Protection Association (NFPA)

HUBBELL WIRING DEVICE-KELLEMS

ORDERING INFORMATION

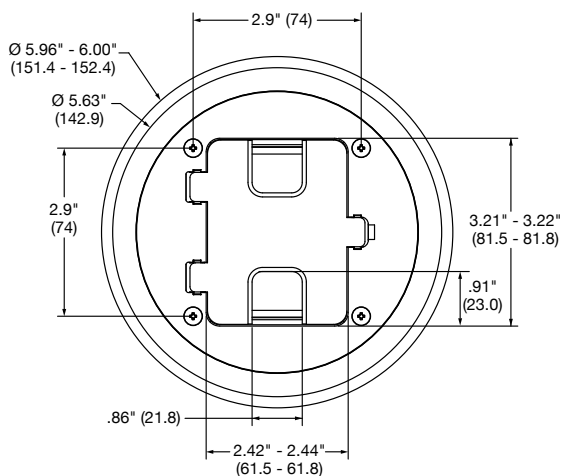
FLUSH FLOOR BOXES

Description	Material	Finish/Color	Catalog Number
Flange and Hinged Door Cover Assembly	Die-cast Aluminum	Brushed Aluminum	RF406ALU
Includes duplex TR receptacle, gasket, floor leveling PVC ring, high impact and chemically resistant nylon. Factory pre-assembled for easy drop-in installation.	Die-cast Aluminum	Brushed Brass Plated	RF406BP
PVC Floor Box with Concrete Protective Cover	PVC	Gray	RF400
Accepts 3/4 in. and 1.0 in. schedule 40 and schedule 80 PVC conduit. Includes round box (4 7/8 in. diameter x 6.0 in. deep), four reducers, closure plugs, and concrete cover with locator flag.			
Low Voltage Divider	PVC	Gray	RF408
For use in PVC box RF400, when JLOAD® Multimedia Outlet is used.			

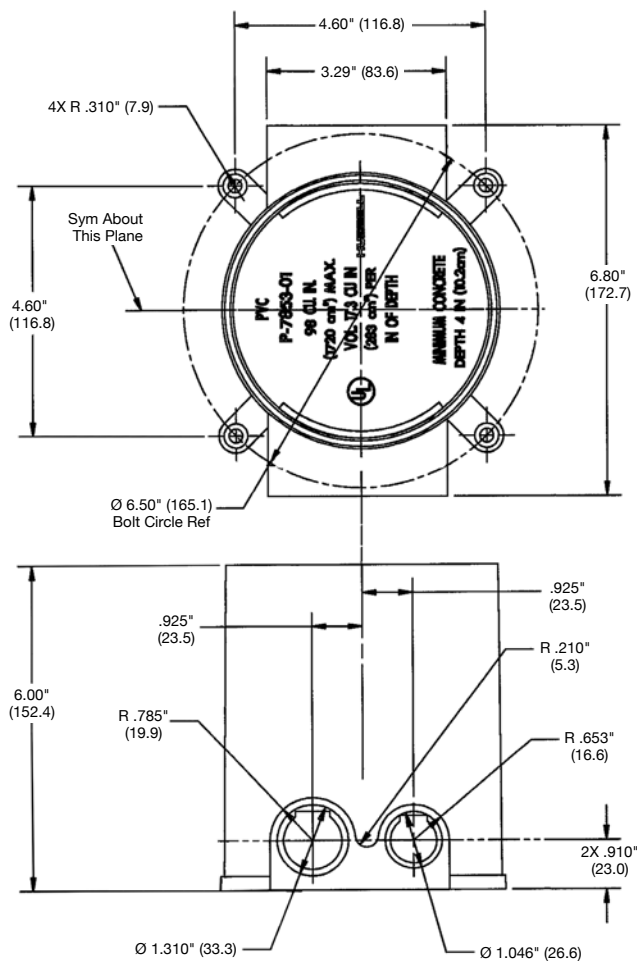


Note: Please visit www.hubbell-wiring.com for additional cover options and assembly.

DIMENSIONS Inches (mm)



RF406



RF400



www.hubbell-wiring.com

