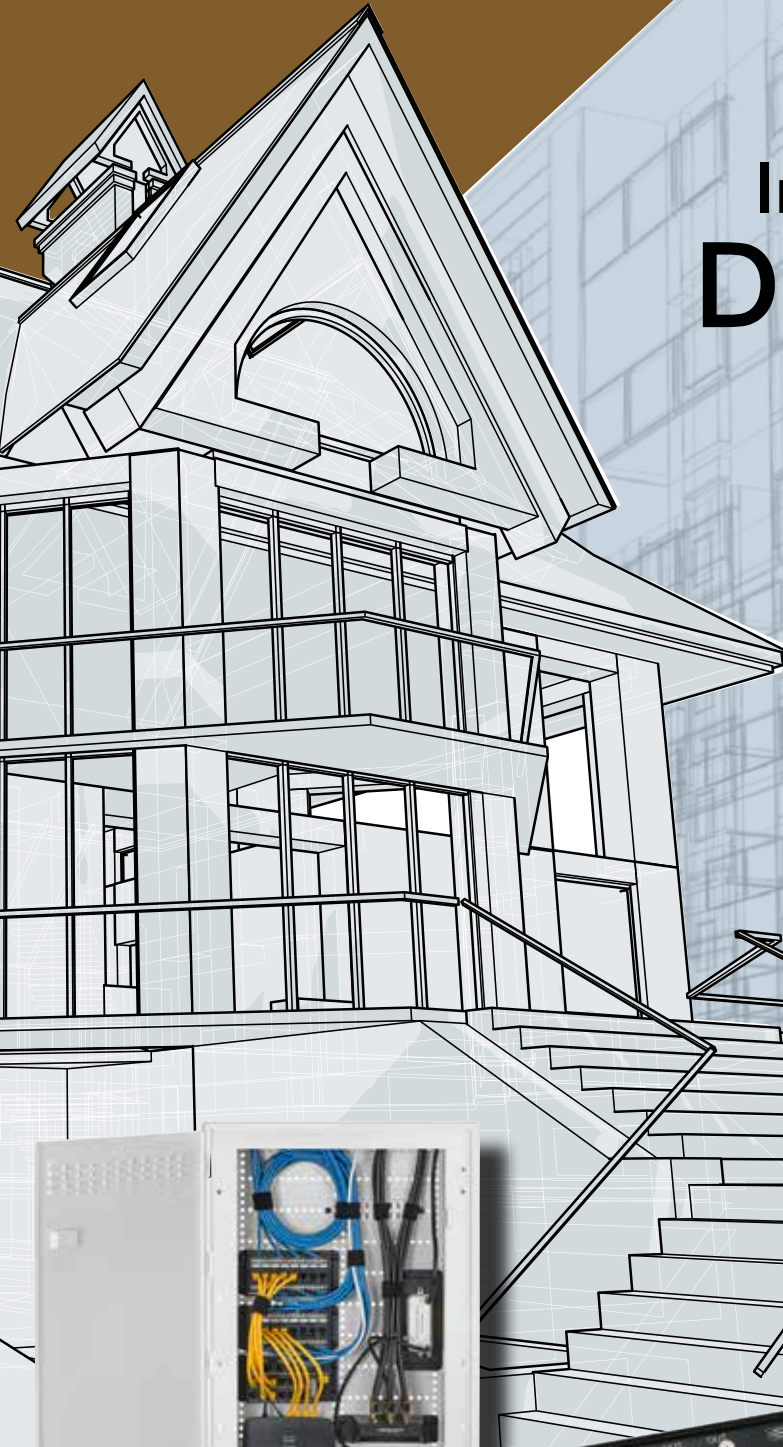


HUBBELL[®]
Premise Wiring



Infrastructure for Digital Lifestyles



AV over UTP



Efficient | Use UTP cable to save time, labor, space and materials



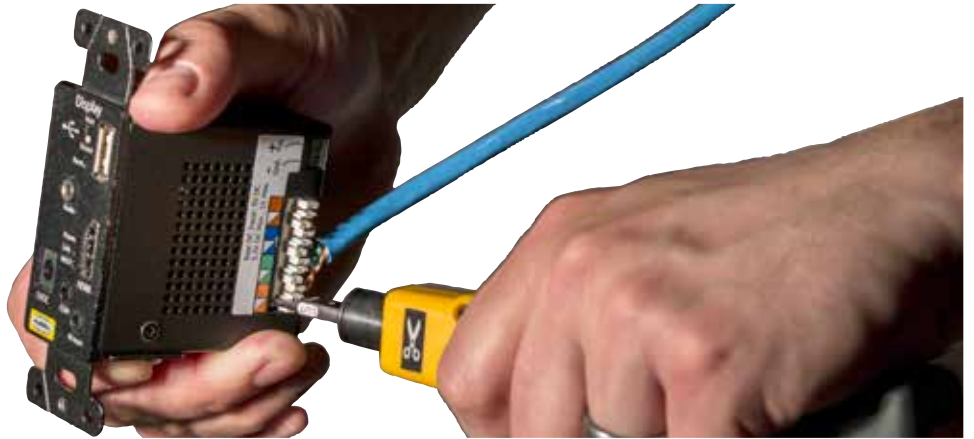
Capable | Send 4K, UHD HDMI up to 328 feet



Integrated | USB charging receptacle with 5V DC eliminates external power supplies

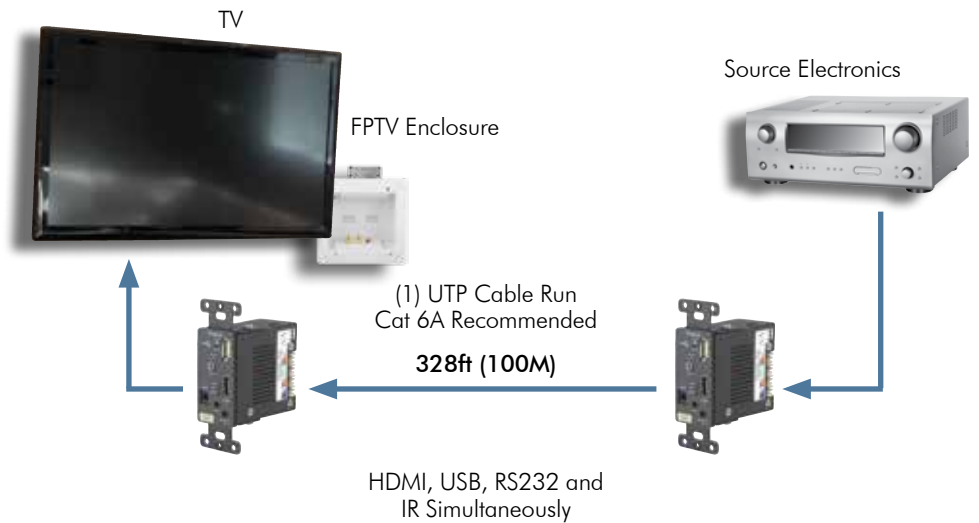
Benefits

- Transmit over UTP cables
- Extend AV signals up to 328 feet with HDBaseT
- Quick 110 termination
- Utilize same cable for current and future applications



AV Connections over UTP cabling | Traditional AV cabling does not support networked AV delivery—terminations are time consuming, cable is expensive and thick relative to Cat5e and Cat6 cable. Hubbell AV Over UTP modules provide traditional 110 terminations that utilize readily available and cost effective UTP cable, reducing installation time and cost. UTP cable is also the cabling needed to support the transition toward IP based AV distribution and control. Combine with Hubbell's extensive line of AV and power connection boxes for floor, in-wall and furniture to provide a complete AV infrastructure.

HDMI Over HDBaseT AV Distribution

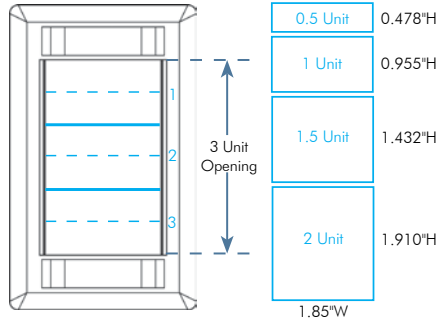


AV Over UTP

USB 2.0 High Speed 110 Extenders, 100ft

Module 1.5 unit

Color	Catalog Number
Black	IMU11015BK
Ivory	IMU11015EI
Gray	IMU11015GY
Office White	IMU11015OW
White	IMU11015W



VGA and 3.5mm HD AV Extender, 75ft

Module 1.5 unit

Color	Catalog Number
Black	IM15311015BK
Ivory	IM15311015EI
Gray	IM15311015GY
Office White	IM15311015OW
White	IM15311015W

Tamper-Resistant Receptacle with 5V DC Power Output

USB charger

Description	Color	Catalog Number
(1) USB port	Black	AVPS152BK
5A 5V DC output;	Ivory	AVPS152EI
15A 125V AC	Gray	AVPS152GY
decorator duplex	Office White	AVPS152OW
	White	AVPS152W

HDMI AV Extender, 120–140ft

Color	Style Line®	2-Unit Module
Black	ISFH110BK	IMH110ST2BK
Ivory	ISFH110EI	IMH110ST2EI
Gray	ISFH110GY	IMH110ST2GY
Office White	ISFH110OW	IMH110ST2OW
White	ISFH110W	IMH110ST2W

4K UHD HDBaseT™ Frames and Modules

4K HDMI, USB, 3.5mm audio, RS232, IR extender, black, single 4-pair UTP cable installation, up to 328ft (100m); 5V DC Power Supply required on each end (sold separately)

Description	Catalog No.
Kit	ISFHD4BK
Transmitter	ISFHDT4BK
Receiver	ISFHDR4BK

HDBaseT™ AV Switching Transmitters

Auto-switching AV HDBaseT transmitters with USB, RS232, IR, black, single 4-pair UTP cable installation; combine with ISFHDR4BK to complete system; 5V DC power supply required on each end (sold separately)

Description	Catalog No.
(1) VGA, (1)HDMI Transmitter	ISFHDT421BK
(3) HDMI Transmitter	ISFHDT431BK

110 AV Modules, 100ft

1.5 unit			1 unit	
Color	RCA Component Video, Left/Right Audio	RCA Component Video, 3.5mm Audio	RCA Component Video, HD	RCA Left/Right Audio
Black	IMCAR11015BK	IMC3511015BK	IMCR1101BK	IMAR1101BK
Ivory	IMCAR11015EI	IMC3511015EI	IMCR1101EI	IMAR1101EI
Gray	IMCAR11015GY	IMC3511015GY	IMCR1101GY	IMAR1101GY
Office White	IMCAR11015OW	IMC3511015OW	IMCR1101OW	IMAR1101OW
White	IMCAR11015W	IMC3511015W	IMCR1101W	IMAR1101W

netSELECT®



USB 110 Extenders
IMU11015OW



HD AV Extenders
IM15311015OW



HDMI AV Extender
ISFH110OW

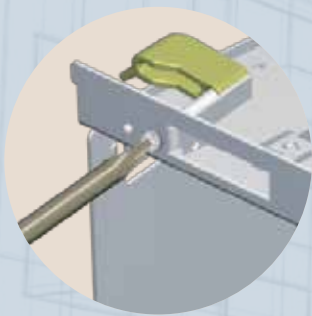


AV Switching Transmitter
ISFHDT431BK

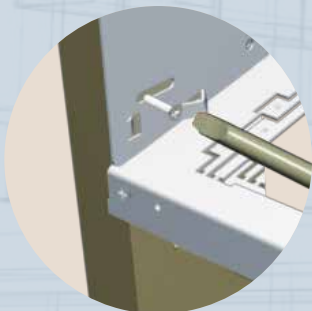
In-Wall AV Delivery



Optional screw-on cover reduces tampering and protects connections



Mounts to sheetrock



Mounts to studs

Flat Panel TV installations demand the best connections to assure optimum image quality. Hubbell has engineered a metal recessed enclosure that accommodates connections for HDMI, DVI, RG6/UQ and VGA, allowing large, high density cables to fit in the smallest footprint possible. Compatible with a wide variety of TV mounts, this FPTV enclosure provides an in-wall, structured network for multimedia connections and cables.

In-wall delivery of multimedia and power



Enclosure with 15 Amp duplex receptacle kit for power

Enclosure scenarios:

- Cat 6 jack for smart TV
- Double HDMI with wallplate

Cabling scenarios:

- Device-to-device HDMI cable
- Two HDMI in-wall cables

Alternate output available for connection to other equipment (computers, game systems, etc.)

Connection scenarios:

- Coax cable in from provider
- Dual HDMI
- RCA component video from source electronics and auxiliary equipment

In-Wall AV Delivery

netSELECT®

Specifications



- 18 gauge cold rolled steel base
- White powder coat finish
- High impact thermoplastic ABS trim ring
- Ideal for new construction or renovation



Standards

- cULus 1863 listed
- UL V0 flame rating on ABS trim ring

FPTV Connection Enclosure

Description	Height Inches (mm)	Width Inches (mm)	Depth Inches (mm)	Color	Catalog No.
2-gang in-wall enclosure	8.16" (207)	7.92" (201)	3.37" (86)	White	NSAV62M
4-gang in-wall enclosure	8.16" (207)	15.8" (401)	3.37" (86)	White	NSAV124M
Steel cover for NSAV62M	7.2" (183)	7.2" (183)	0.05" (1)	White	NSAV6C
Steel cover for NSAV124M	7.2" (183)	14.4" (366)	0.05" (1)	White	NSAV12C
Block wall adapter, compatible with NSAV62M					NSAV6BW
New work stud brackets					NSAV6NW

Power Kits

Description	Color	Catalog No.
Standard power kit	White	NSOKPTR
Surge protected power kit	Blue	NSOKPS

Feed-Through Plates

Description	Color	Catalog No.
1-gang	Ivory	NSAV1I
	White	NSAV1W
2-gang	Ivory	NSAV2I
	White	NSAV2W

Recessed Receptacles

Description	15A 125V, Tamper-Resistant Duplex Receptacle		
	Color	1-Gang	2-Gang with Feed-Through
Ivory	RR1510I	RR1512I	RR1514I
Light Almond	RR1510LA	RR1512LA	RR1514LA
White	RR1510W	RR1512W	RR1514W

Gangable AV Wall Boxes, 2- and 3-Gang

Box	Catalog No.
2-Gang, 2" KO, 54in ³ capacity	HBL985
3-Gang, 2" KO, 79in ³ capacity	HBL986
Divider for low voltage	HBL989
Divider with pass-through for AVPS152 outlet	HBL989AVD



Cover
NSAV6C



Feed-Through Plate
NSAV1I



Recessed Receptacle
RR1514LA



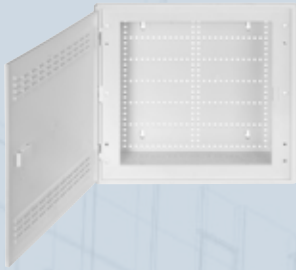
Gangable Wall Box
HBL985

Network Enclosures



Specifications

- Material: high-impact thermoplastic to minimize Wi-Fi degradation
- Finish: White, satin finish
- cULus Listed



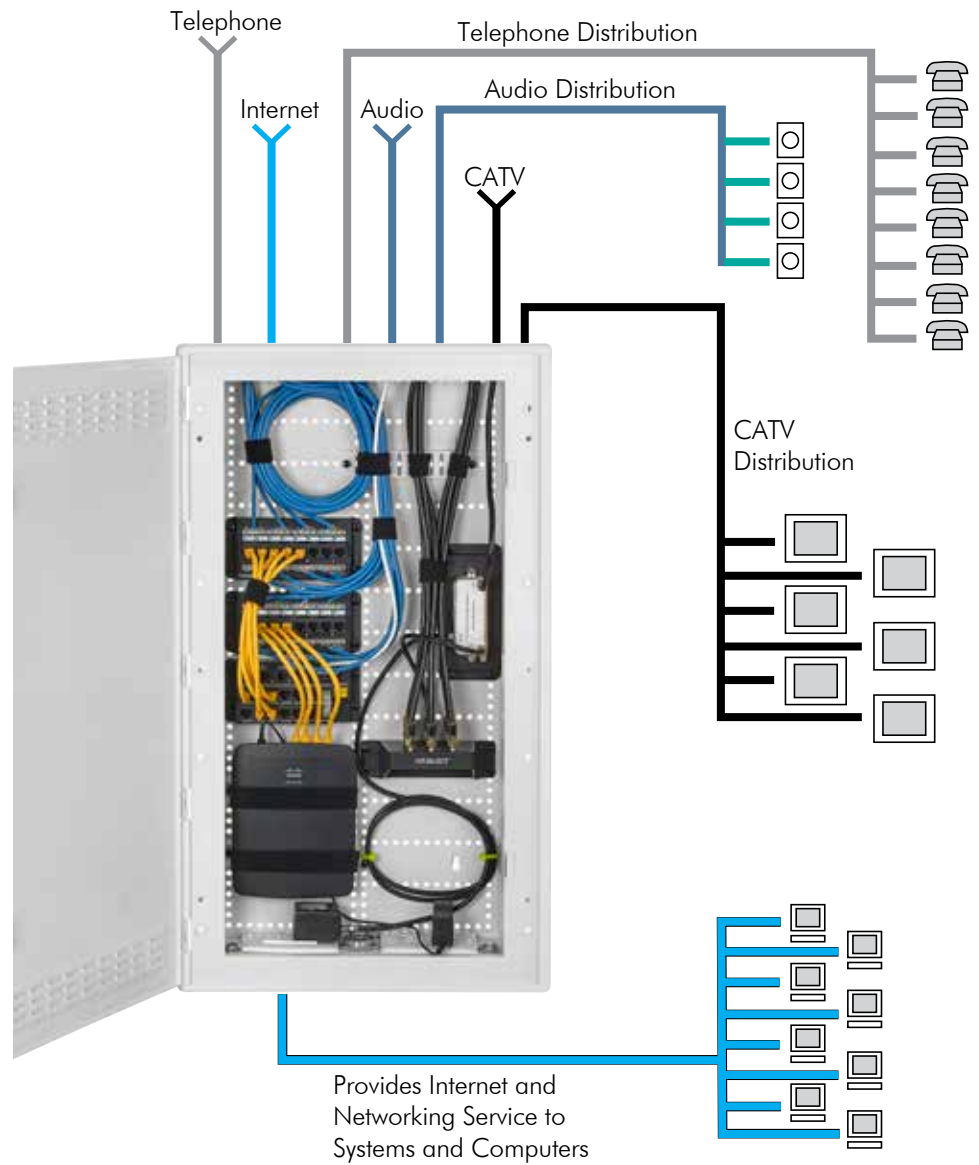
Flexible | Hinged cover can be mounted to swing from either side



Options | Horizontal and vertical module mounting holes provide maximum flexibility



Installation | Additional nylon push pins assist module mounting

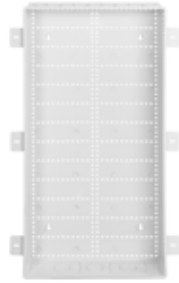


Network Enclosures

netSELECT®



Box with Hinged Vented Door



Box Only



Hinged Vented Door

14-Inch Network Enclosure

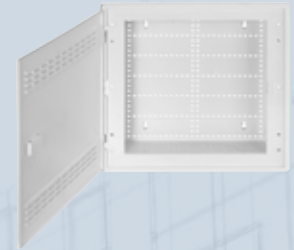
Description	Height Inches (mm)	Width Inches (mm)	Depth Inches (mm)	Module Unit Capacity	Catalog No.
With hinged vented door	16.2" (412)	17.5" (445)	4.35" (111)	5	NSOBXP14
14" height box only	13.5" (343)	17.1" (434)	3.95" (100)	5	NSOBXP14B
Hinged vented door	16.2" (412)	17.5" (445)	0.4" (10)	–	NSOBXP14D

28-Inch Network Enclosure

Description	Height Inches (mm)	Width Inches (mm)	Depth Inches (mm)	Module Unit Capacity	Catalog No.
With hinged vented door	30" (762)	17.5" (445)	4.35" (111)	11	NSOBXP28
28" height box only	27.7" (704)	17.1" (434)	3.95" (100)	11	NSOBXP28B
Hinged vented door	30" (762)	17.5" (445)	0.4" (10)	–	NSOBXP28D

42-Inch Network Enclosure

Description	Height Inches (mm)	Width Inches (mm)	Depth Inches (mm)	Module Unit Capacity	Catalog No.
With hinged, vented, 2-piece door	45.1" (1146)	17.5" (445)	4.35" (111)	16	NSOBXP42
42" height box only	42.6" (1082)	17.1" (434)	3.95" (100)	16	NSOBXP42B
Hinged vented door (2-piece)	45.1" (1146)	17.5" (445)	0.4" (10)	–	NSOBXP42D



14-Inch
NSOBXP14



28-Inch
NSOBXP28



42-Inch
NSOBXP42



Combination Module
NSOTVDM6



Expansion Telephone Module
NSOPTM8



Multiport Telecom Module
NSOMTM24



Multiport Telecom Module
NSOMTM12



Specifications

- Meets FCC Part 68 standard
- Finish: black, powder coat
- Material: 18 gauge steel or high impact plastic
- cULus Listed to UL1863
- All data and phone modules 568A wired

Combo Modules

Description	Units	Catalog No.
6-port telephone panel and 6-port coaxial splitter with optional 6-port Category 5e panel provides voice, video, and data distribution in a space-efficient package; perfect for use with NSOBXP14 and NS790xx plates to quickly establish a comprehensive home network		
6-port telephone and video	3	NSOTVM6
6-port telephone, video and Category 5e	3	NSOTVDM6
6-port Category 5e data upgrade kit	3	NSODK6

Primary Telephone Module

Description	Units	Catalog No.
8-port phone outlets with up to 4 incoming lines for voice, fax or modem applications in a protected PCB module; pre-mounted push pins snap the module quickly into place; RJ31X interface jack included for security system connection; RJ45 jack interfaces with optional NSOETM8 telephone expansion module for additional extensions	1	NSOPTM8

Expansion Telephone Module

Description	Units	Catalog No.
8-port adds an additional 8 phone outlets with up to 4 incoming lines when used with the primary telephone module; pre-mounted push pins snap the module quickly into place; includes RJ45 jumper cord to connect with NSOPTM8 primary telephone module	1	NSOETM8

Data Modules

Description	Units	Catalog No.
Category 5e data module, 8-port supports Gigabit Ethernet for up to 8 C5e data lines with front 110 punch-down terminations in a protected PCB module; pre-mounted push pins snap the module quickly into place	1	NSODM8
Category 6 data module, 8-port supports enhanced transmission speeds beyond Gigabit Ethernet; future-proof for tomorrows applications	1	NSODM8C6

Patchable Telecom Module

Description	Units	Catalog No.
Terminates lines via modular plug to accommodate flexibility, by changing plug locations; reconfigure where phone lines go at the panel level; allows data lines to be converted to voice, with the move of a patch cord; includes nine RJ45 jumper cords	2	NSOMTM24

Multi-Provider Patchable Telcom Module

Description	Units	Catalog No.
12-port telephone module distributes 4 incoming lines out to 12 locations through RJ-45 jacks; allows data lines to be converted to voice with the move of a patch cord; RJ31X interface jack is included for security system connection	1	NSOMTM12

AV Modules

netSELECT®

Specifications



- Finish: black, powder coat
- cULus Listed to UL1863



4-Way Coaxial Splitter Modules

One incoming line, four outgoing

Description	Units	Catalog No.
1 Ghz, basic unit	1	NSOVM4
2.3Ghz, enhanced capability	1	NSOVM42G

6-Way Coaxial Splitter Modules

One incoming line, six outgoing

Description	Units	Catalog No.
1 Ghz, basic unit	1	NSOVM6
2.3Ghz, enhanced capability	1	NSOVM62G

8-Way Coaxial Splitter Modules

One incoming line, eight outgoing

Description	Units	Catalog No.
1 Ghz, basic unit	1	NSOVM8
2.3Ghz, enhanced capability	1	NSOVM82G

Fixed Video Amplifier Module

120 Volt rated

Description	Units	Catalog No.
Provides 10dB video signal amplification for incoming cable feeds recommended for use when more than four outputs are installed or when signal level is low; provides 10dB forward path gain and supports current digital cable systems and modems with a passive return; pre-mounted push pins snap the module quickly into place; includes RG-59 cable jumper to connect amplifier to passive video splitter	1	NSOVAMP

Eight Room Audio Module

Description	Units	Catalog No.
Distributes audio from an amplifier to matching volume controllers; supports up to eight rooms of audio; power handling – 200W RMS@20° C; requires impedance matching volume controls	1	NSOAM8

Blank Module Bracket

Description	Units	Catalog No.
Allows mounting of active components (i.e. switches, routers) or other devices onto a modular platform; (2) VELCRO® brand fasteners included to mount components onto module; pre-mounted push pins snap the module quickly into place; 2-pack	1	NSOBM2

VELCRO® is a registered trademark of Velcro Industries B.V.



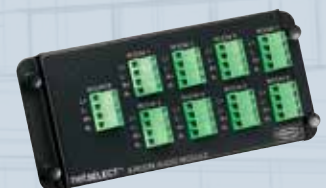
4-Way Coaxial Splitter
NSOVM4



8-Way Coaxial Splitter
NSOVM8



Fixed Audio Amplifier
NSOVAMP



Eight Room Audio
NSOAM8

Accessories



Slide Volume Controller
NSOSAVC



Rotary Volume Controller
NSORAVC



Surge Receptacle
NSOKPS



Panel Bracket Adapter
NSOFSB



F-Connector Adapter Panel
FSPFP6X



Features and Benefits

- netSELECT® accessories enhance system capabilities
- Volume controls expand home audio applications
- Cabinet mounted receptacle kits provide convenient power to the enclosure
- Audio controls available in slide or rotary
- Receptacles available in surge and standard kits

Slide Audio Volume Controller

Description	Color	Catalog No.
Decorator styling; power handling 70W RMS@20° C; impedance matching for up to 8 pairs of speakers; includes both ivory and white slides and frames	Ivory/White	NSOSAVC

Rotary Audio Volume Controller

Description	Color	Catalog No.
Power handling 70W RMS@20° C; impedance matching for up to 8 pairs of speakers; includes both ivory and white knobs and frames	Ivory/White	NSORAVC

Standard Power Kit

Description	Catalog No.
Includes duplex receptacle 15A 125V; NEMA 5-15R electrical steel box and wallplate	NSOKPTR*

Surge Suppression Power Kit

Description	Catalog No.
Includes surge receptacle 15A 125V; NEMA 5-15R, 240 joules/15,000A protection; per mode; electrical steel box and wallplate	NSOKPS*

Lock Kit

Description	Catalog No.
Chromed steel; includes two keys; eliminates unwanted tampering	FLOCK1**

Panel Bracket Adapter

Description	Catalog No.
For use with adapter panels shown below and FSP series modules; snap mounts into structured cabling enclosures	NSOFSB

F-Connector Adapter Panel

Description	Catalog No.
F-connector adapter panel with six populated coaxial connectors	FSPFP6X

Keystone Adapter Panel

Description	Catalog No.
Features six blank openings for jacks and snap fits	FSPHD6X

Cable Management Clip

Description	Catalog No.
Accepts 14" or smaller cable ties; 5-pack	NSOBXCLIP

*Kits comprised of UL listed components

**Not UL or cULus Listed

NEMA is a registered trademark of the National Electrical Manufacturers Association.

Specifications



- TIA 568-C.2 Category 5e/6 component compliant
- cULus Listed



Jack Panels

Ports	Category	Height Inches (mm)	Width Inches (mm)	Depth Inches (mm)	Type	Catalog No.
24	–	1.72" (44)	19.00" (483)	1.24" (31)	Jack Panel	NSPJ24
48	–	3.47" (88)	19.00" (483)	1.21" (31)	Jack Panel	NSPJ48

netSELECT® Modular Snap Fit Category 6, 5e and USOC Jacks

Color	Cat. 6 Single	Cat. 6 24-Pack	Cat. 5e Single	Cat. 5e 24-Pack	USOC
Black	NSJ6BK	NSJ6BK24	NSJ5EBK	NSJ5EBK24	NSJUBK
Blue	NSJ6B	NSJ6B24	NSJ5EB	NSJ5EB24	NSJUB
Gray	NSJ6GY	NSJ6GY24	NSJ5EGY	NSJ5EGY24	NSJUGY
Green	NSJ6GN	NSJ6GN24	NSJ5EGN	NSJ5EGN24	NSJUGN
Ivory	NSJ6I	NSJ6I24	NSJ5EI	NSJ5EI24	NSJUI
Light Almond	NSJ6LA	NSJ6LA24	NSJ5ELA	NSJ5ELA24	NSJULA
Orange	NSJ6OR	NSJ6OR24	NSJ5EOR	NSJ5EOR24	NSJUOR
Red	NSJ6R	NSJ6R24	NSJ5ER	NSJ5ER24	NSJUR
White	NSJ6W	NSJ6W24	NSJ5EW	NSJ5EW24	NSJUW
Yellow	NSJ6Y	NSJ6Y24	NSJ5EY	NSJ5EY24	NSJUY



Jack Patch Panel
NSPJ48



Cat 6 Snap Fit Jack
NSJ6W



Snap Fit USOC Jack
NSJUW

NSC Patch Cords



Specifications

- Conductor: 24AWG UTP
- Jacket: Flame-Retardant PVC-CM Rated
- Plug Body: Polycarbonate UL 94V-0



Category 6
NSC6B01

NSC Patch Cords, Category 6

Length (ft)	Color			
	Black	Blue	Gray	Green
1'	NSC6BK01	NSC6B01	NSC6GY01	NSC6GN01
3'	NSC6BK03	NSC6B03	NSC6GY03	NSC6GN03
5'	NSC6BK05	NSC6B05	NSC6GY05	NSC6GN05
7'	NSC6BK07	NSC6B07	NSC6GY07	NSC6GN07
10'	NSC6BK10	NSC6B10	NSC6GY10	NSC6GN10
15'	NSC6BK15	NSC6B15	NSC6GY15	NSC6GN15

Length (ft)	Color			
	Orange	Purple	Red	White
1'	NSC6OR01	NSC6P01	NSC6R01	NSC6W01
3'	NSC6OR03	NSC6P03	NSC6R03	NSC6W03
5'	NSC6OR05	NSC6P05	NSC6R05	NSC6W05
7'	NSC6OR07	NSC6P07	NSC6R07	NSC6W07
10'	NSC6OR10	NSC6P10	NSC6R10	NSC6W10
15'	NSC6OR15	NSC6P15	NSC6R15	NSC6W15



Category 5e
NSC5EW01

NSC Patch Cords, Category 5e

Length (ft)	Color			
	Black	Blue	Gray	Green
1'	NSC5EBK01	NSC5EB01	NSC5EGY01	NSC5EGN01
3'	NSC5EBK03	NSC5EB03	NSC5EGY03	NSC5EGN03
5'	NSC5EBK05	NSC5EB05	NSC5EGY05	NSC5EGN05
7'	NSC5EBK07	NSC5EB07	NSC5EGY07	NSC5EGN07
10'	NSC5EBK10	NSC5EB10	NSC5EGY10	NSC5EGN10
15'	NSC5EBK15	NSC5EB15	NSC5EGY15	NSC5EGN15

Length (ft)	Color			
	Orange	Purple	Red	White
1'	NSC5EOR01	NSC5EP01	NSC5ER01	NSC5EW01
3'	NSC5EOR03	NSC5EP03	NSC5ER03	NSC5EW03
5'	NSC5EOR05	NSC5EP05	NSC5ER05	NSC5EW05
7'	NSC5EOR07	NSC5EP07	NSC5ER07	NSC5EW07
10'	NSC5EOR10	NSC5EP10	NSC5ER10	NSC5EW10
15'	NSC5EOR15	NSC5EP15	NSC5ER15	NSC5EW15

Note: Additional lengths available; contact Customer Service for details

Frames & Wallplates

Features and Benefits

- Elongated strap for better wall box mounting
- High impact-resistant thermoplastic frame
- UL Listed 1863 - Communication Circuit Accessory and CSA Certified



Decorator Frames

Color	1-Port	2-Port	3-Port
Black	NS611BK	NS612BK	NS613BK
Gray	NS611GY	NS612GY	NS613GY
Ivory	NS611I	NS612I	NS613I
Light Almond	NS611LA	NS612LA	NS613LA
White	NS611W	NS612W	NS613W
Color	4-Port	6-Port	Adapter Blank
Black	NS614BK	NS616BK	NS620BK
Gray	NS614GY	NS616GY	NS620GY
Ivory	NS614I	NS616I	NS620I
Light Almond	NS614LA	NS616LA	NS620LA
White	NS614W	NS616W	NS620W

Note: Use NS621 with rotary dimmers or to pull through AV or telephone cable; use NS620 to fill an extra decorator opening or create customized openings

Multimedia Wallplates, 1-Gang

Color	1-Port	2-Port	3-Port
Black	NSP11BK	NSP12BK	NSP13BK
Gray	NSP11GY	NSP12GY	NSP13GY
Ivory	NSP11I	NSP12I	NSP13I
Light Almond	NSP11LA	NSP12LA	NSP13LA
White	NSP11W	NSP12W	NSP13W
Color	4-Port	6-Port	
Black	NSP14BK	NSP16BK	
Gray	NSP14GY	NSP16GY	
Ivory	NSP14I	NSP16I	
Light Almond	NSP14LA	NSP16LA	
White	NSP14W	NSP16W	

Blank Connectors

Smooth, 10-pack

Color	Catalog No.
Black	SFSBBK10
Gray	SFSBGY10
Ivory	SFSBEI10
Light Almond	SFSBLA10
White	SFSBW10

F-Connector Plug

	Catalog No.
Compression termination; RG6 cable; 25-pack	FRG625



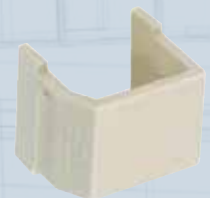
4-Port Frame
NS614I



Adapter Blank
NS620W



3-Port, 1-Gang, Standard
NSP13I

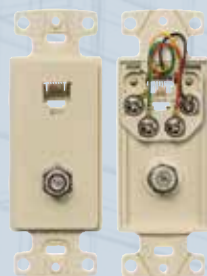


Blank Connector
SFSBEI10

Molded-In Voice/Data/Video Frames



RJ11, 6-Pos, 4-Cond
NS770I



RJ11 + F-Type Coupler
NS783I



110 Punch-Down + F-Type Coupler
NS785I



Features and Benefits

- High impact-resistant thermoplastic frame
- Meets FCC part 68
- UL Listed 1863 – Communication Circuit Accessory and CSA Certified

Molded-In Voice and Data Decorator Wallplates

Jack	One RJ11 Jack	One RJ11 Jack	Duplex RJ11 Jack	2 Jack Voice Data Frame	
				RJ11 Jack	Category 5e
Position	6-Position	6-Position	6-Position	6-Position	8-Position
Conductors	4-Conductor	6-Conductor	6-Conductor	4-Conductor	8-Conductor
Terminations	Screw	Screw	Screw	Screw	110 IDC
Black	NS770BK	–	–	–	NS784BK
Brown	NS770	NS771	–	–	NS784
Gray	NS770GY	–	–	–	NS784GY
Ivory	NS770I	NS771I	NS772I	–	NS784I
Light Almond	NS770LA	NS771LA	NS772LA	–	NS784LA
White	NS770W	NS771W	NS772W	–	NS784W

Molded-In Video and Voice Decorator Wallplates

Jack	F-Connector	Type	Terminations	One RJ11 Jack, 6-Position, 4-Conductor	One Cat 5e 110 Punch-Down
				Single F-Type Coupler Bulkhead	Duplex F-Type Coupler Bulkhead
Type	Female to Female	Female to Female	Female to Female	Female to Female	Female to Female
Terminations	Screw	Screw	Screw	Screw	Screw
Black	–	–	–	–	NS785BK
Brown	–	–	–	–	NS785
Gray	–	–	–	–	NS785GY
Light Almond	NS780LA	–	–	NS783LA	NS785LA
White	NS780W	NS782W	NS783W	NS785W	NS785W

Molded-In Wallplates

netSELECT®

Features and Benefits

- High impact-resistant thermoplastic plate
- Convenient screw down terminals
- Meets FCC part 68
- UL Listed 1863 – Communication Circuit Accessory and CSA Certified



Molded-In Wallplates for Voice, 1-Gang

Standard

Jack	One RJ11 Jack	One RJ11 Jack	Duplex RJ11 Jack
Position	6-Position	6-Position	6-Position
Conductors	4-Conductor	6-Conductor	6-Conductor
Terminations	Screw	Screw	Screw
Brown	NS730	NS732	–
Ivory	NS730I	NS732I	NS744I
Light Almond	NS730LA	NS732LA	–
White	NS730W	NS732W	NS744W

Mid-Size

Jacks	One RJ11 Jack	Duplex RJ11 Jack
Position	6-Position	6-Position
Conductors	4-Conductor	4-Conductor
Terminations	Screw	Screw
Brown	–	–
Ivory	NS735I	NS745I
Light Almond	NS735LA	–
White	NS735W	NS745W



RJ11, 6-Pos, 6-Cond
NS732I



Duplex RJ11, 6-Pos, 6-Cond
NS744I



Duplex RJ11, 6-Pos, 4-Cond
NS745I

Molded-In Wallplates



RJ11 + F-Type Coupler
NS7471



Duplex F-Type Coupler
NS7521



110 Punch-Down +
RJ11 + F-Type Coupler
NS7901



RJ11 + F-Type Coupler
NS7551



Features and Benefits

- High impact-resistant thermoplastic plate
- Convenient screw down terminals
- Meets FCC part 68
- UL Listed 1863 – Communication Circuit Accessory and CSA Certified

Molded-In Wallplates for Voice and CATV/Satellite, 1-Gang

Standard

Jack	One RJ11 Jack	One RJ11 Jack	–
F-Connector Bulkhead	One F-Type Coupler Bulkhead	One F-Type Coupler Bulkhead	One F-Type Coupler Bulkhead
Position	6-Position	6-Position	–
Conductors	6-Conductor	4-Conductor	–
Type	Female to Female	Female to Female	Female to Female
Black	–	–	–
Brown	–	–	–
Gray	–	–	–
Ivory	NS748I	NS747I	NS750I
Light Almond	NS748LA	NS747LA	NS750LA
White	NS748W	NS747W	NS750W

Jack	–	One Cat 5e 110 Punch-Down, One RJ11 Jack
F-Connector Bulkhead	Duplex F-Type Coupler Bulkhead	One F-Type Coupler Bulkhead
Position	–	6-Position
Conductors	–	4-Conductor
Type	Female to Female	Female to Female
Black	–	NS790BK
Brown	–	NS790
Gray	–	NS790GY
Ivory	NS752I	NS790I
Light Almond	–	NS790LA
White	NS752W	NS790W

Mid-Size

Jack	One RJ11 Jack	
F-Connector Bulkhead	One F-Type Coupler Bulkhead	One F-Type Coupler Bulkhead
Position	6-Position	–
Conductors	6-Conductor	–
Type	Female to Female	Female to Female
Ivory	NS755I	NS751I
Light Almond	NS755LA	NS751LA
White	NS755W	NS751W

Telephone Wall Jacks

Features and Benefits

- Available in high impact-resistant thermoplastic or stainless steel
- Meets FCC part 68
- UL Listed 1863 – Communication Circuit Accessory and CSA Certified



Telephone Wall Jacks

Thermoplastic		
Jack	Wall Phone Jack	Wall Phone Jack
Position	6-Position	6-Position
Conductors	4-Conductor	6-Conductor
Terminations	Screw	Screw
Ivory	NS722I	NS725I
Light Almond	-	-
White	NS722W	-

Stainless Steel	
Wall Phone Jack	Wall Phone Jack
Quick Connect	Wall Phone Jack
6-Position	6-Position
4-Conductor	4-Conductor
Punch-Down (Tool Included)	Screw
NS723SS	NS726SS

Features and Benefits

- High impact-resistant thermoplastic
- Mounts using screws or double sided tape (both included)
- Meets FCC part 68
- UL Listed 1863 – Communication Circuit Accessory and CSA Certified

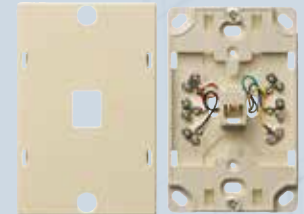


Telephone Surface Mount Boxes

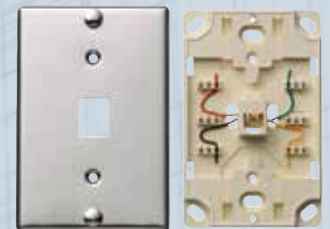
Description	Telephone Surface Mount Jack	Multimedia 1-Port Surface Mount Box, Jack Not Included*	Multimedia 2-Port Surface Mount Box, Jack Not Included*
Position	6-Position	-	-
Conductors	4-Conductor	-	-
Terminations	Screw	-	-
Black	-	HSB1BK	HSB2BK
Gray	-	HSB1GY	HSB2GY
Ivory	NS760I	HSB1EI	HSB2EI
Office White	-	HSB1OW	HSB2OW
White	NS760W	HSB1W	HSB2W

*cULus Listed 1863 - Communication Circuit Accessory; use multimedia jacks and AV connectors

netSELECT®



Screw Termination
NS725I



Stainless Steel Quick Connect
NS723SS



Surface Mount Phone Jack
NS760I



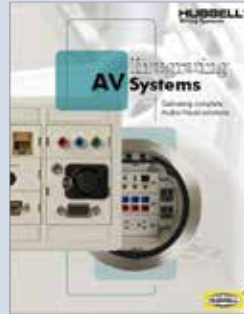
Multimedia 2-Port
HSB2EI

Hubbell's Total Residential Infrastructure Solution

Select the best when it comes to electrical devices and voice/data products. Hubbell offers the superior performance, innovation and style that your home deserves.



Residential Wiring Device Product Guide



Integrating AV Systems



Smart Design for Your Home

[hubbell.com/
hubbellpremiawiring/en](http://hubbell.com/hubbellpremiawiring/en)



YOUR COMPLETE ONLINE RESOURCE

Everything you need—
anytime, anywhere.
Quickly access product
information, technical data,
the online catalog,
supporting literature,
instructional videos,
interactive eTours
and more!



Smart Design for Your Home
Product Selection Guide



HDTV Connectivity
Installation Guide



Flat Panel
Connection Enclosure



Full Line
Catalog

HUBBELL[®]
Premise Wiring

hubbell.com/hubbellpremiawiring/en

