



LIGHTHAWK® DUAL TECHNOLOGY WALL SWITCH SENSOR

WALL SWITCH OCCUPANCY SENSORS

FEATURES

- Digital dual technology: Ultrasonic and Passive Infrared
- IntelliDAPT® self-adaptive technology; no manual adjustment required
- Single and dual relay models for on/off switching
- Occupancy (auto-ON) and Vacancy (manual-ON) operating modes
- 1,000 square-foot, 180° coverage area
- RhinoTuff lens
- 120/277VAC, 347VAC and 24VDC models
- Zero Arc Point Switching



RELATED PRODUCTS

- Occupancy Sensor Accessories
- LightHAWK Dimming Dual Tech
- LightHAWK Dimming PIR
- LightHAWK PIR
- LightHAWK US
- LightHAWK Night Light

SPECIFICATIONS

CONSTRUCTION

- Casing - high - impact injection - molded plastic (UL-94-5V Impact-resistance lens)
- Color-coded leads are 6" (152.4mm) long
- Wrap around galvanized steel mounting strap
- 2.9 oz. (82.21g)
- White; Ivory; Light Almond; Gray; Black
- Dual-element pyrometer and 12-element cylindrical RhinoTuff lens

MOUNTING

- Single-gang NEMA-style switch box (standard switch box)
- Decorator-style wall plate sold separately

ELECTRICAL

- 40kHz output
- Natural light override range: 10-500 foot-candles
- 120/277VAC; 50/60Hz
- 347VAC; 50/60Hz
- 24VDC (requires power pack - sold separately)
- 120VAC: 800W Incandescent/ Electronic Ballast/ LED Driver, 1,000W Magnetic Ballast, 1/6 HP Motor
- 277VAC: 1,800W Magnetic Ballast/ Electronic Ballast/ LED Driver: 1/6 HP Motor

ELECTRICAL (CONTINUED)

- 347VAC: 1,500W Magnetic Ballast/ Electronic Ballast/ LED Driver: 1/6 HP Motor

OPERATIONS

- IntelliDAPT
 - Self-adjusting timer
 - Self-adjusting Ultrasonic (US) and passive infrared (PIR) sensitivity
 - Automatic false-on/ false-off corrections
 - No manual adjustments required
- Coverage
 - 1,000 square-foot, 180° coverage area
- Timer Setting
 - Auto mode: 4-30 minutes; self-adjusts based on occupancy
 - Fixed mode: 4, 8, 15, and 30 minutes
 - Test mode: 5 seconds

OPERATING ENVIRONMENT

- Indoor use only
- Operating temperature: 32° to 104°F (0° to 40°C)
- Relative humidity (non-condensing): 0% to 95%

CERTIFICATIONS

- UL and cUL listed
- This product qualifies as both (i) a "domestic construction material" per FAR §52.225-9 Buy American-Construction Materials and a "(COTS) item" per FAR §2.101 and (ii) a "designated country construction material" per FAR 52.225-11 Buy American-Construction Materials under Trade Agreements effective 5/27/2020. See [Buy American Solutions](#).
- This product qualifies as "designated country construction material" per FAR 52.225-11 Buy American-Construction Materials under Trade Agreements effective 5/27/2020. See [Buy American Solutions](#).

WARRANTY

- 5 year warranty
- See [HCS Standard Warranty](#) for additional information



LIGHTHAWK® DUAL TECHNOLOGY WALL SWITCH SENSOR

WALL SWITCH OCCUPANCY SENSORS

ORDERING GUIDE

Example: LHMTS1-G-WH-U

CATALOG #

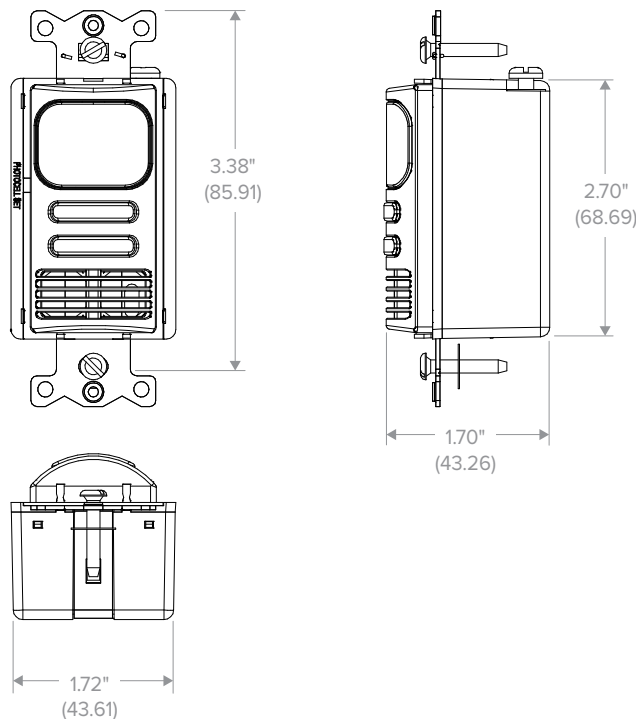
Series		Buttons	Wiring		Color		Mode		BAA/TAA*	
LHMTS	Light-HAWK Dual Technology Single Relay	0 0 ¹	G	Ground (120/277V)	WH	White	Blank	Switchable Vacancy or Occupancy Mode	Blank	Standard Product
LHDCMTD	Light-HAWK Dual Technology Dual Relay	1 1	N	Neutral (120/277V)	IV	Ivory	M	Vacancy Mode Only	U	BAA
LHMTD	Light-HAWK Dual Technology with (2) Low Voltage Outputs (24V Only)	2 2 ²	24V	Low Voltage ³	LA	Light Almond			T	TAA
			G347	Ground (347V)	GY	Gray				
			N347	Neutral (347V)	BK	Black				

Notes:

- 1 No button version not available with -M option
- 2 Two button option only available with LHDC model
- 3 Low voltage sensors require a power pack that is sold separately

*Buy American Solutions	
BAA FAR §52.225-9	TAA FAR §52.225-11
LHMTS1-G-WH	LHMTS1-G-WH
	LHMTS1-N-WH
	LHMTS1-24V-WH
	LHDCMTD2-G-WH
	LHMTD2-24V-WH

DIMENSIONS



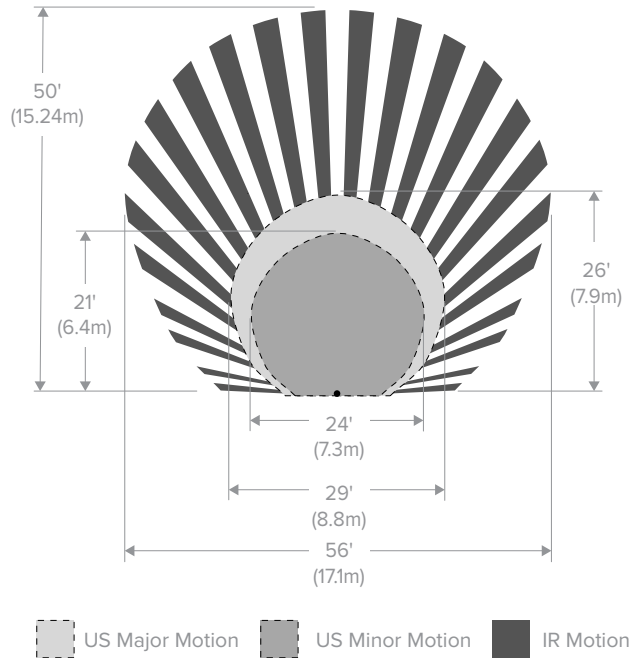


LIGHTHAWK® DUAL TECHNOLOGY WALL SWITCH SENSOR

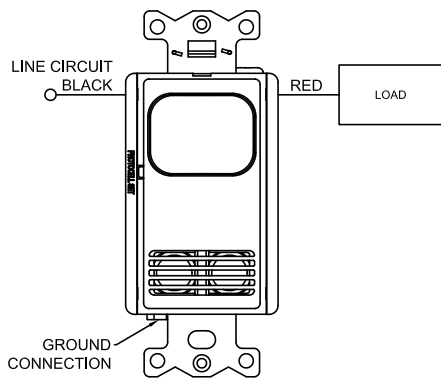
WALL SWITCH OCCUPANCY SENSORS

ADDITIONAL INFORMATION (CONTINUED)

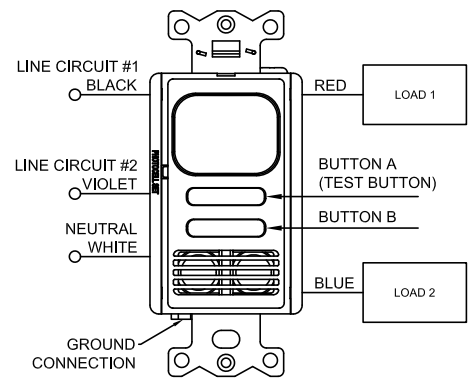
Coverage Pattern



Wiring Diagrams



SINGLE LOAD WIRING



DUAL LOAD WIRING

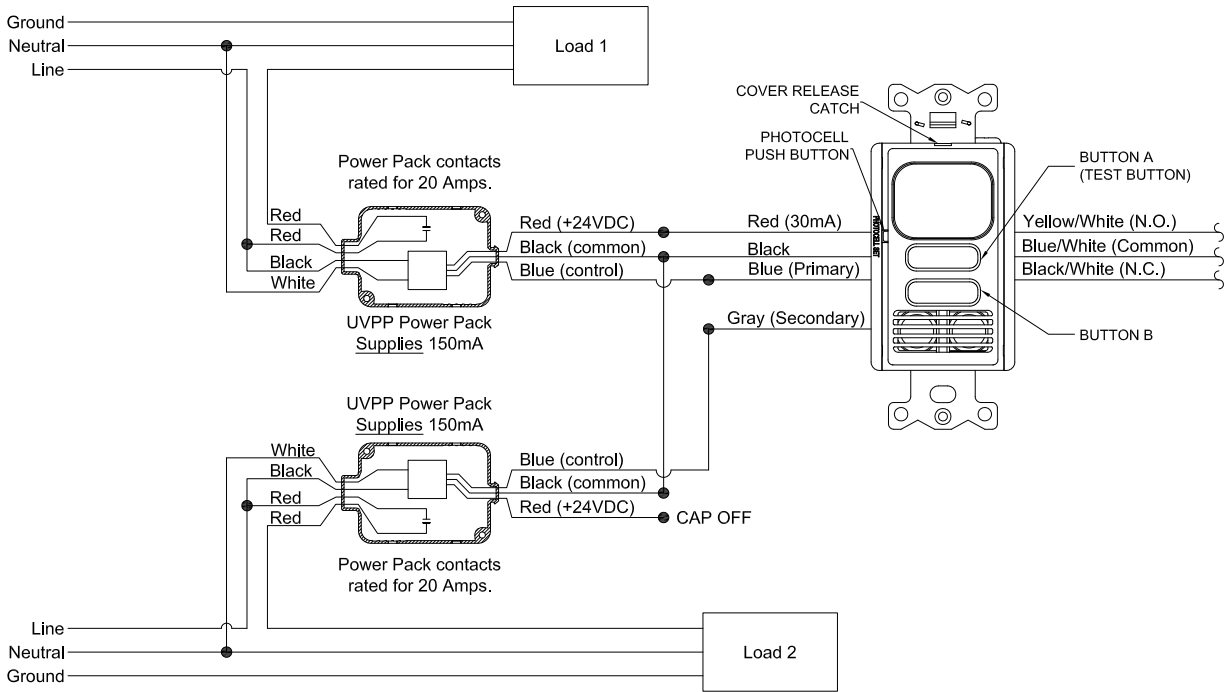


LIGHTHAWK® DUAL TECHNOLOGY WALL SWITCH SENSOR

WALL SWITCH OCCUPANCY SENSORS

ADDITIONAL INFORMATION (CONTINUED)

Wiring Diagrams



Low Voltage Dual Level Control with Two Power Packs

All product and company names, logos and product identifiers are trademarks™ or registered trademarks® of Hubbell Lighting, Inc. or their respective owners. Use of them does not necessarily imply any affiliation with or endorsement by such respective owners.