

Raceway
Metal Raceway
HBL500 Series Base and Cover

HUBBELL

Features

- Available in 10 foot lengths
- Packed 100 feet per carton
- HBL5701C coupling furnished with each length

Ordering Information

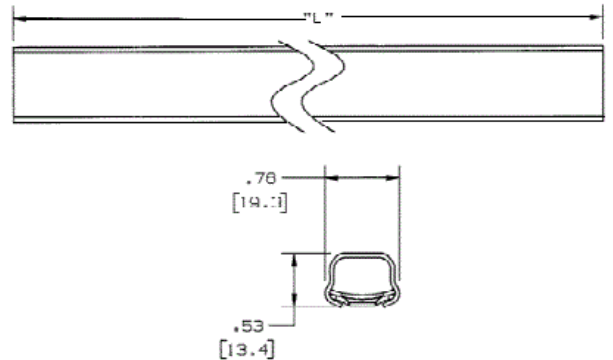
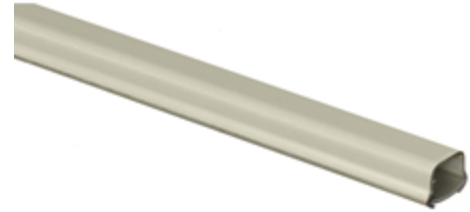
Description	Color	UPC Number	Catalog Number
Base and Cover	Ivory	783585216652	HBL50010IV

Listings

UL Listed
CSA Certified

Specifications

Height	0.53 inches
Width	0.76 inches
Length	10 feet



Online Resources

Customer Use Drawing
eCatalog
Installation Instructions

Dimensions in Inches (mm)

Hubbell Wiring Device-Kellems • Hubbell Incorporated (Delaware) • 40 Waterview Drive • Shelton, CT 06484

Phone (800) 288-6000 • Fax (800) 255-1031 • Specifications subject to change without notice.

