





## Features and Benefits

### Dual Function AFCI/GFCI Receptacles

- Cost effective solution conveniently located within living space; clearly visible, easily resettable if necessary
- Dual functionality, interrupts power if a ground fault or arc fault is detected
- Safety feature prevents device from resetting if it can no longer provide protection or is reverse wired
- Intuitive visual indication is provided for power (LED green ON); trip condition (LED green OFF)
- Clear indication if unit can no longer provide protection (LED red flashes) and will not reset



### Dual Function AFCI/GFCI Receptacles

| Rating                                                                                                                          | Color            | Standard          | Rating                                                                                                                        | Color        | Standard          |
|---------------------------------------------------------------------------------------------------------------------------------|------------------|-------------------|-------------------------------------------------------------------------------------------------------------------------------|--------------|-------------------|
| <br>15A 125V<br>NEMA 5-15R<br>UL CSA<br>0.5 HP | Black            | <b>AFGF15TRBK</b> | <br>20A 125V<br>NEMA 5-20R<br>UL CSA<br>1 HP | Black        | <b>AFGF20TRBK</b> |
|                                                                                                                                 | Brown            | <b>AFGF15TR</b>   |                                                                                                                               | Brown        | <b>AFGF20TR</b>   |
|                                                                                                                                 | Gray             | <b>AFGF15TRGY</b> |                                                                                                                               | Gray         | <b>AFGF20TRGY</b> |
|                                                                                                                                 | Ivory            | <b>AFGF15TRI</b>  |                                                                                                                               | Ivory        | <b>AFGF20TRI</b>  |
|                                                                                                                                 | Light Almond     | <b>AFGF15TRLA</b> |                                                                                                                               | Light Almond | <b>AFGF20TRLA</b> |
| White                                                                                                                           | <b>AFGF15TRW</b> | White             | <b>AFGF20TRW</b>                                                                                                              |              |                   |

## Specifications

### Ratings

|                       |                                          |
|-----------------------|------------------------------------------|
| Amperage              | 15 Amp/20 Amp                            |
| Feed-thru             | 20 Amp Protection                        |
| Voltage               | 120V AC (+10% to -15%)<br>(102V to 132V) |
| Horsepower            | (1) @ 120V AC                            |
| Flammability          | Rated V2 per UL 94                       |
| Operating Temperature | (-35°C to 66°C) or<br>(-30°F to 150°F)   |

### Certifications

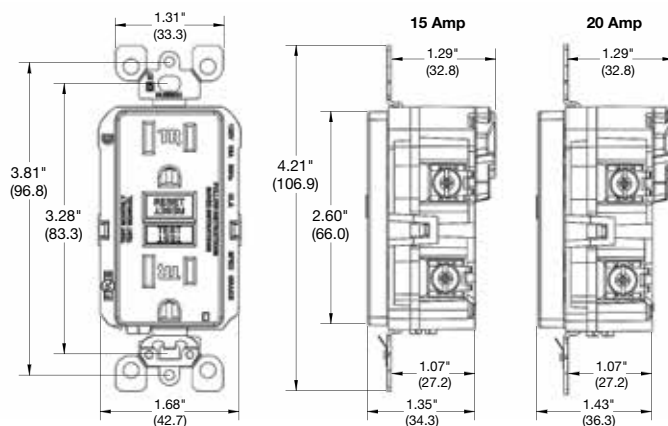
|              |                  |
|--------------|------------------|
| UL1699A      | E485931          |
| UL498        | Receptacle       |
| UL943        | GFCI             |
| UL Fed Spec  | WC-596           |
| CSA Standard | C22.2 No. 42     |
| CSA Tech     | Letter No. M-02A |
| NEMA         | WD-6             |

### Construction

|               |                          |
|---------------|--------------------------|
| Termination   | Back and Side            |
| Terminal      | #14-10 AWG               |
| Grounding     | Autoground Clip          |
| Indicators    | Power, Trip, End of Life |
| Configuration | 2 Pole, 3 Wire           |
| NEMA          | 5-15R, 5-20R             |

Note: All Hubbell "AFGF" series GFCI receptacles are furnished with a matching color thermoplastic wallplate.

## Product Dimensions



Dimensions in Inches (mm)