

Watertight Devices
Accessories
Portable Outlet Box Covers

HUBBELL

Features

- Impact and heat resistant PBT housing
- Corrosion-resistant stainless steel springs and hinges
- Gasketed to maintain UL Type 3R

Ordering Information

Description	Device Color	UPC	Catalog Number
Outlet box lift cover, 1.39" diameter receptacle.	Gray	783585358888	HBL3052

Listings

Listed to UL514D
UL Type 3R
Meets NEMA WD-1, WD-6 and ANSI standards

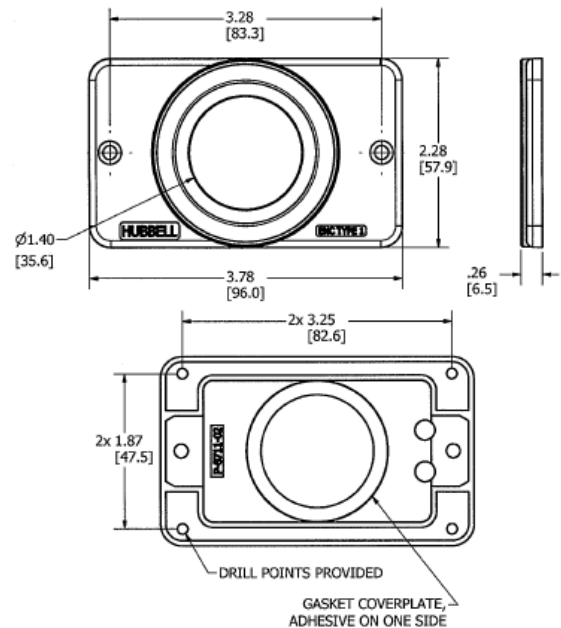
Specifications

Housing	PBT
Cover plate screws	Stainless steel
Cover plate spring	Stainless steel
Hinge Pin	Stainless steel
Hinge bracket	Stainless steel
Gasket	Neoprene

Performance

Environmental

Flammability	UL94 V-0
Moisture Resistance	UL Type 3R
Operating temperatures	-40°C (without impact) to +60°C continuous
UV Resistance	All exposed materials are UV stabilized



Online Resources

eCatalog

Dimensions in Inches (mm)

Hubbell Wiring Device-Kellems • Hubbell Incorporated (Delaware) • 40 Waterview Drive • Shelton, CT 06484

Phone (800) 288-6000 • Fax (800) 255-1031 • Specifications subject to change without notice.

