

Switched Disconnects and Enclosures

30A 600V AC Manual Motor Controllers, Three Pole

HUBBELL

Features

- Thermoset body provides high resistance to electrical arc tracking
- Strong ON/OFF action with quick-make, slow break operation
- Optional Side Finger Guards for close wall applications and finger safe environments
- Four large silver alloy contacts per pole has excellent conductivity with maximum longevity
- Lubrication-free controller with continued ON/OFF cycling even in harsh, dust and high heat environments



Ordering Information

Description	UPC Number	Catalog Number
30A, three pole, single throw, AC manual motor controller, black nylon handle, side and back wired	783585202792	HBL7810D

Listings

UL 508
CSA-C22.2 No.14

Specifications

Toggle Type	Standard
Housing	Thermoset
Terminal Screw	Brass
Contacts	Silver Alloy

Performance

Electrical

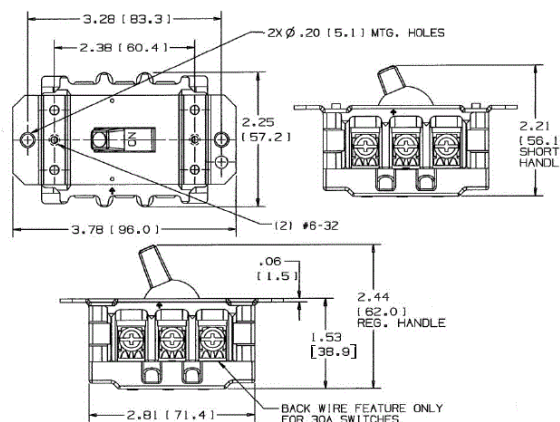
Dielectric Voltage	2,200V AC minimum for 1 minute
Electrical Life	Min. 6,000 Cycles at rated switch load
Max. Working Voltage	600V AC RMS
Short Circuit Current Ratings (SCCR): (Motor Disconnect)	60A max. when protected by J fuses

Mechanical

Mechanical Life	10,000 minimum cycles
Terminal Accommodations	#10 AWG Max.
Wire Type	Solid and stranded copper wire only

Environmental

Flammability	UL94HB/VO
Operating Temperature	Max. Continuous: 75°C; Min. Continuous: -40°C without impact



Complementary Products

Finger Guards	HBLFG30
---------------	---------

Online Resources

Customer Use Drawing
eCatalog
Installation Instructions

Dimensions in Inches (mm)

Hubbell Wiring Device-Kellems • Hubbell Incorporated (Delaware) • 40 Waterview Drive • Shelton, CT 06484

Phone (800) 288-6000 • Fax (800) 255-1031 • Specifications subject to change without notice.

