

Project		Catalog #		Type	
Prepared by		Notes		Date	



## Greengate ONW-D-1001 Wall Switch Sensor with Neutral Required

Dual Tech Single Pole 120/277 VAC Wall  
Switch Occupancy Sensor  
(Neutral Required)

### Typical Applications

Private Offices • Small Conference Rooms • Lunch/Break Rooms •  
Small Classrooms • Small Restrooms (1-2 stalls) • Small Lounges •  
Small Waiting Rooms • Small Closets • Small Storage Areas

### Interactive Menu

- Order Information page 2
- Additional Resources page 2
- Wiring Diagrams page 3
- Product Warranty

### Product Certification



### Product Features



## Overview

The Dual Technology Single Level Occupancy Sensing Wall Switch is a motion sensing lighting control and conventional wall switch all-in-one that is used for energy savings and convenience.

The ONW-D-1001-MV-N combines Ultrasonic and Passive Infrared (PIR) sensor technologies to monitor a room for occupancy to deliver maximum energy savings and ensure the greatest sensitivity and coverage for tough applications without the threat of false triggers. PIR is used to turn the lights ON and then either or both technologies are used to keep the lights ON. In Automatic On Mode, the lights turn ON when a person enters the room. In Manual On Mode, the lights are turned ON by pressing the universally recognized light icon pushbutton. The sensor includes self-adaptive technology that continuously self-adjusts sensitivity and time delay in real-time, maximizing the potential energy savings that are available in the particular application. The EcoMeter provides a visual indicator of energy usage, increasing end user awareness and reminding individuals to take control of their lighting to maximize energy savings.

## Top Product Features

- Air-gap switch ensures no leakage current to load
- Selectable built-in light level sensor
- NEMA WD7 Guide robotic method utilized to verify coverage patterns

## Order Information

SAMPLE ORDER NUMBER: **ONW-D-1001-MV-N-W**

One single gang wallplate included.

### Catalog Number

Catalog Number	Ratings	Coverage	Voltage	Color
<b>ONW-D-1001-MV-N-*</b> (*-W, V, LA, G, B, R)	Incandescent: 0-800W @ 120V Fluorescent: 0-1200W @ 120V Fluorescent: 0-2700W @ 277V Max Load/Relay	180°; 1000 sq. ft.	120/277 VAC, 50/60 Hz	W=White, V=Ivory, LA=Light Almond, G=Gray, B=Black, R=Red
				<b>Notes</b> Not all colors are available in stock and some color options may have extended lead times.

## Product Specifications

### Technology

- Passive Infrared (PIR) and Ultrasonic (US) technology

### Mechanical

**Mounting Plate/Strap Dimensions:** 4.195" H x 1.732" W (106.55mm x 44mm)

**Mounting Plate/Strap Dimensions: ONW-D-1001-347:** 4.35" H x 1.732" W (110.49mm x 44mm)

**Product Housing Dimensions:** 2.618" H x 1.752" W x 1.9" D (66.5mm x 44.5mm x 48.26mm)

### Environment:

- Operating temperature:** 32°F to 104°F (0°C to 40°C)
- Relative humidity operating:** 20% to 90% non-condensing
- For indoor use only

**Housing:** Durable, injection molded housing. ABS resin complies with UL 94V-0

**Mounting:** Fits in a standard 3.5" deep back box Can be mounted in multiple gang back box. Refer to NEC box calculation for properly sized mounting box

### Electrical

#### Electrical ratings (per relay):

- 120 VAC
  - Incandescent / Tungsten max load: 6.7 amps, 800W, 50/60 Hz
  - Fluorescent / Ballast max load: 10 amps, 1200W, 50/60 Hz
  - Motor Load: 1/4 HP @ 125 VAC
- 230/277VAC
  - Fluorescent / Ballast max load: 9.8 amps, 2700W, 50/60 Hz

#### Ballast compatibility:

- Magnetic and Electronic ballasts

### Hardware Specifications

#### LED Indicators:

- Red LED = PIR detection
- LED = Ultrasonic detection
- Green LED = Acts as EcoMeter or nightlight locator

### Controls and Performance

#### Time delays:

- Self adjusting 15 seconds/test (10 min. Auto)
- Selectable 5, 15, 30 minutes

#### Coverage:

- Major motion: 36' x 30'
- Minor motion: 20' x 16'

#### Light sensing level:

- 0 to 200 foot candles

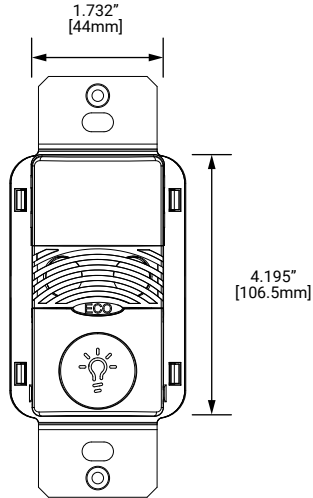
### Standards/Ratings

- cULus Listed
- FCC Compliant
- RoHS Compliant

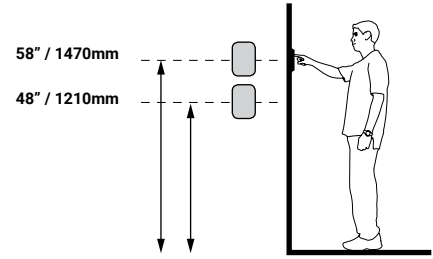
### Warranty

Five year warranty standard

**Dimensional and Mounting Details**

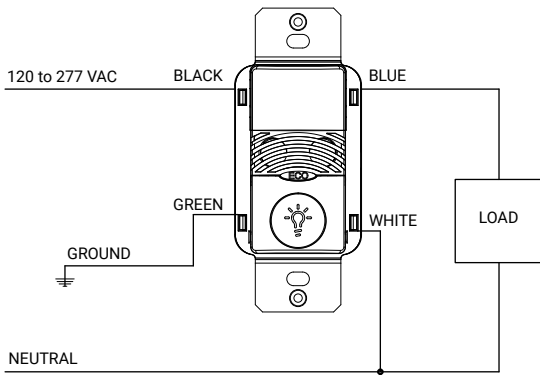


**Scale or Mounting Height**

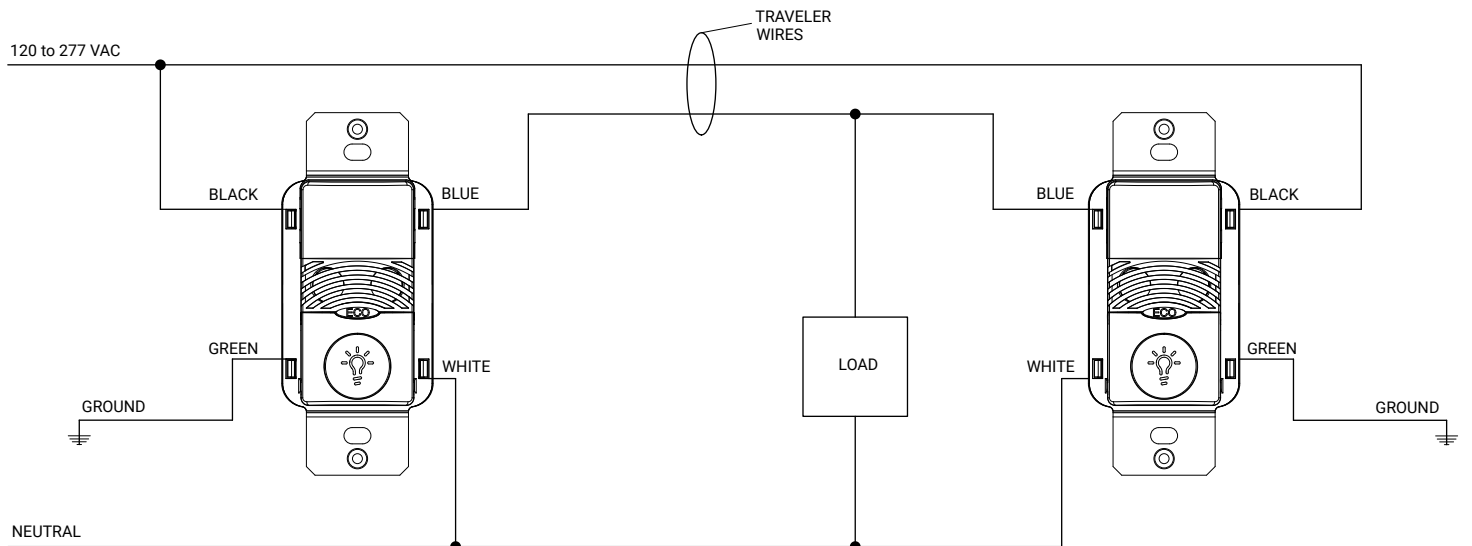


**Wiring Diagrams**

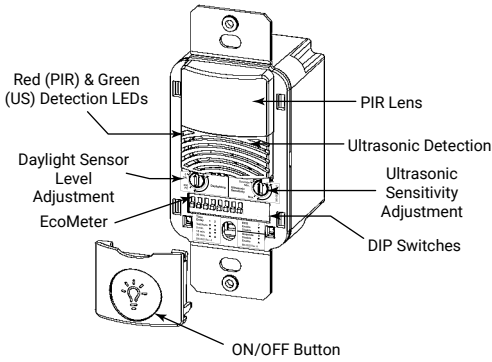
**Single Level Switching - Single Circuit**



**Three-way wiring diagram: Lights will turn OFF automatically when sensor that detected motion last, times out.**



## Controls

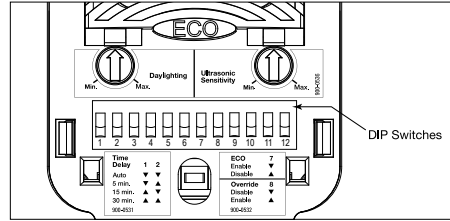


DIP Switch Legend

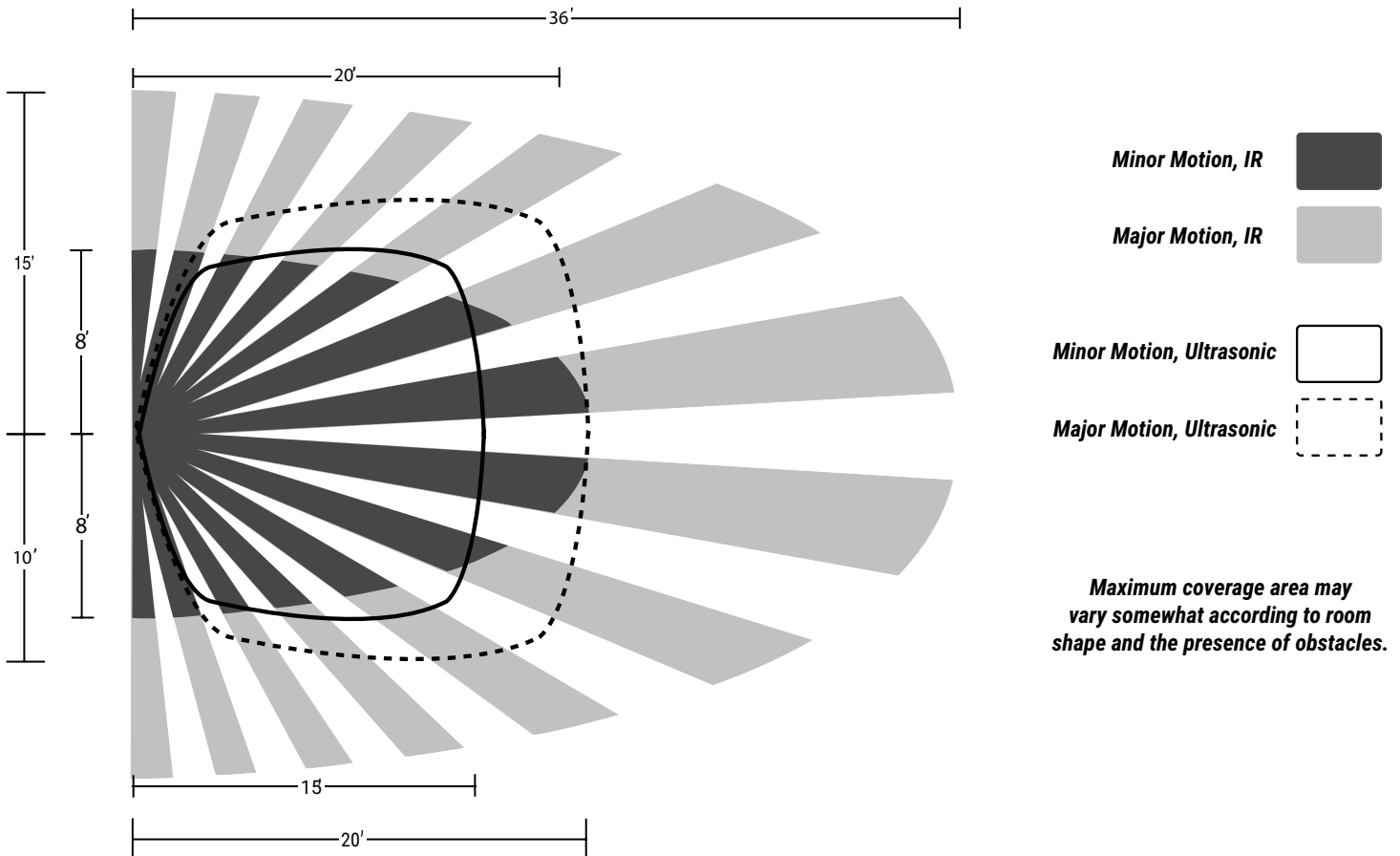
DIP Switch	Time Delay		Activation		Not Used	PIR Sensitivity	Walk-Through Mode		EcoMeter	Override	Not Used	Maintain Lights On	Not Used	
	1	2	Relay 1	3			4	5						6
Auto*	▼	▼	Auto	▼		Full	Disable	▼	Enable	▼	Disable	▼	Either	▼
5 Minutes	▼	▲	Manual	▲		50%	Enable	▲	Disable	▲	Enable	▲	Both	▲
15 Minutes	▲	▼												
30 Minutes	▲	▲												

\*Self-Adjusts to 10 min. user mode

Default =



## Field of View



**Control Systems**

- Greengate