


**Product:** [0985 806 126](#) 

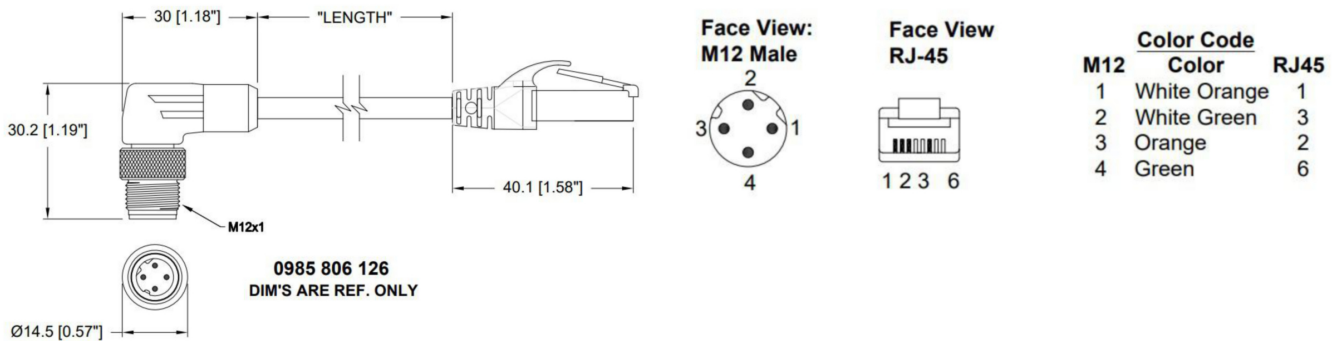


Fast Ethernet Cat 5e, high-flex, double-ended cord set, M12 male, right angle to RJ45 male, 4-pin, D-coding, 24 AWG TPE cable, stranded/unshielded, 2 twisted bonded pair with teal jacket.

**Product Description**

Fast Ethernet Cat 5e, high-flex, double-ended cord set, M12 male, right angle to RJ45 male, 4-pin, D-coding, 24 AWG TPE cable, stranded/unshielded, 2 twisted bonded pair with teal jacket.

**Technical Drawing**



**Technical Specifications**

**Product Description**

Product Family:	Data Connectors
Brand:	Lumberg Automation
Connector Type:	Cordset, double ended
Shielding:	Unshielded
Rated Voltage:	60 V
Rated Impulse Voltage:	1.5 kV
Operating Voltage:	30 V AC / 42 V DC
Rated Current*:	1.5 A
Data Transmission:	Fast Ethernet Cat5e
Data Transmission Rate:	100 Mbit/s

**Technical Data Side 1**

Product Sub Family:	M12 Standard
Type of Contact / Gender:	Pin Contact / Male
Connector Design:	Angled
Attachment Type:	Coupling Screw
Number of Pins:	4
Coding:	D
Contact Resistance:	≤ 10 mOhm
Insulation Resistance:	250V
Mating Cycles:	≤ 100
Ambient Temperature (Operation)*:	- 20 °C - + 60 °C
Protection Degree / IP Rating**:	IP68

Design Standard:	IEC 61076-2-101
Pollution Degree:	3 acc. to DIN EN 60664-1 (VDE 0110-1)
Overvoltage Category:	III acc. to DIN EN 60664-1 (VDE 0110-1)
Contact Base Material:	Copper and Tin (CuSn)
Contact Plating:	Copper over Gold (Cu/Au)
Contact Bearer Material:	Thermoplastic Polyurethane (TPU)
Contact Bearer Color:	Black
Flammability Class (Contact Bearer):	UL 94 HB
Molded Body Material:	TPU
Molded Body Color:	Black
Flammability Class (Molded Body):	UL 94 HB
Attachment Material:	Brass (Cu/Zn)
Attachment Plating:	Nickel (Ni)
Fastening Torque (Attachment):	M 12x1: (50-60) Ncm, hand-tight

## Cable Data

Cable Number:	806
Conductor Size:	24 AWG
Number of Wires:	4 (2 twisted pairs)
Minimal Bending Radius (Fixed Inst):	.250"
Cycles (Bending):	> 2 M
Conductor material:	Cu
Cable Jacket Material:	Thermoplastic Elastomer (TPE)
Cable Jacket Color:	Teal
Cable Diameter D:	.275"
Wire Insulation Material:	PO
Insulated Wire Diameter:	.037"
Ambient Temperature (Fixed Installation):	-50°C + 75°C
UL Cable Type:	Cat 5e
Flammability Class (Cable Jacket):	UL: CMR / CSA: CMG
Core Colors:	White / Orange, White / Green, Orange, Green

## Technical Data Side 2

Product Sub Family, Side 2:	RJ45
Type of Contact / Gender, Side 2:	Pin Contact / Male
Connector Design, Side 2:	Straight
Attachment Type, Side 2:	Plug
Number of Pins, Side 2:	4
Coding, Side 2:	D
Contact Resistance, Side 2:	≤ 10 mOhm
Insulation Resistance, Side 2:	> 10 <sup>9</sup> Ohm
Mating Cycles, Side 2:	≤ 100
Ambient Temperature (Operation), Side 2*:	- 20 °C - + 60 °C
Protection Degree / IP Rating, Side 2**:	IP20
Design Standard, Side 2:	IEC 60603-7
Pollution Degree, Side 2:	3 acc. to DIN EN 60664-1 (VDE 0110-1)
Overvoltage Category, Side 2:	III acc. to DIN EN 60664-1 (VDE 0110-1)
Contact Base Material, Side 2:	Phosphorus / Copper and Tin (CuSn)
Contact Plating, Side 2:	Gold
Contact Bearer Material, Side 2:	Polycarbonate
Contact Bearer Color, Side 2:	Clear
Flammability Class (Contact Bearer), Side 2:	UL 94 HB
Molded Body Material, Side 2:	Elastomer Polyolefin
Molded Body Color, Side 2:	Clear
Flammability Class (Molded Body), Side 2:	UL 94 HB

## Safety & Environmental Compliance

RoHS Compliant:	yes
-----------------	-----

**Notes**

Protection Degree / IP Rating Note:	IP Rating tested according to IEC standard using combination of a Hirschmann or Lumberg Automation connector mounted and locked
Note Derating:	Notice derating

**History**

Update and Revision:	Revision Number: 0.32 Revision Date: 07-07-2025
----------------------	---

**Variants**

Item #	Item Description	Cable Length
900004249	0985 806 126/0.3M	0.3 m
900004205	0985 806 126/0.5M	0.5 m
900004208	0985 806 126/1M	1 m
900016500	0985 806 126/1.5M	1.5 m
900004210	0985 806 126/2M	2 m
900004580	0985 806 126/2.5M	2.5 m
900004581	0985 806 126/3M	3 m
900004582	0985 806 126/4M	4 m
900004216	0985 806 126/5M	5 m
900004583	0985 806 126/6M	6 m
900004584	0985 806 126/7M	7 m
900004585	0985 806 126/8M	8 m
900004586	0985 806 126/9M	9 m
900004206	0985 806 126/10M	10 m
900004587	0985 806 126/12M	12 m
900004207	0985 806 126/15M	15 m
900004588	0985 806 126/18M	18 m
900004209	0985 806 126/20M	20 m
900004283	0985 806 126/20F	20 ft
900004589	0985 806 126/25M	25 m
900004211	0985 806 126/30M	30 m
900004212	0985 806 126/35M	35 m
900004213	0985 806 126/40M	40 m
900004214	0985 806 126/45M	45 m
900004215	0985 806 126/50M	50 m
900004217	0985 806 126/60M	60 m
900004218	0985 806 126/70M	70 m
900004219	0985 806 126/80M	80 m

© 2025 Belden, Inc  
 All Rights Reserved.

Although Belden makes every reasonable effort to ensure their accuracy at the time of this publication, information and specifications described here in are subject to error or omission and to change without notice, and the listing of such information and specifications does not ensure product availability.

Belden provides the information and specifications herein on an "ASIS" basis, with no representations or warranties, whether express, statutory or implied. In no event will Belden be liable for any damages (including consequential, indirect, incidental, special, punitive, or exemplary damages) whatsoever, even if Belden has been advised of the possibility of such damages, whether in an action under contract, negligence or any other theory, arising out of or in connection with the use, or inability to use, the information or specifications described herein.

All sales of Belden products are subject to Belden's standard terms and conditions of sale.

Belden believes this product to be in compliance with all applicable environmental programs as listed in the data sheet. The information provided is correct to the best of Belden's knowledge, information and belief at the date of its publication. This information is designed only as a general guide for the safe handling, storage, and any other operation of the product itself or the one that it becomes a part of. The Product Disclosure is not to be considered a warranty or quality specification. Regulatory information is for guidance purposes only. Product users are responsible for determining the applicability of legislation and regulations based on their individual usage of the product.