

# Small Hinged Cover Enclosures with Knockouts

NEMA 3R

Commercial Enclosures



Panel  
Sold  
Separately



## Application

- Designed for use as a wiring/junction box.
- Provides protection against rain, sleet, snow and dripping water.

## Standards

- UL-50 Type 3R
- CSA Type 3R
- **Complies with**
  - NEMA Type 3R
  - IEC 60529, IP24

## Construction

- Formed and spot welded from 16 gauge galvanized steel.
- Drip-shield top and seam-free sides, front and back.
- Galvanized steel hinge has stainless steel pin.
- Provisions for padlocking on zinc-plated draw pull catch.
- Easily removed knockouts on bottom of enclosure.
- Panel studs provided for mounting optional panels.
- External mounting feet.
- Oil resistant gaskets are permanently secured.

## Finish

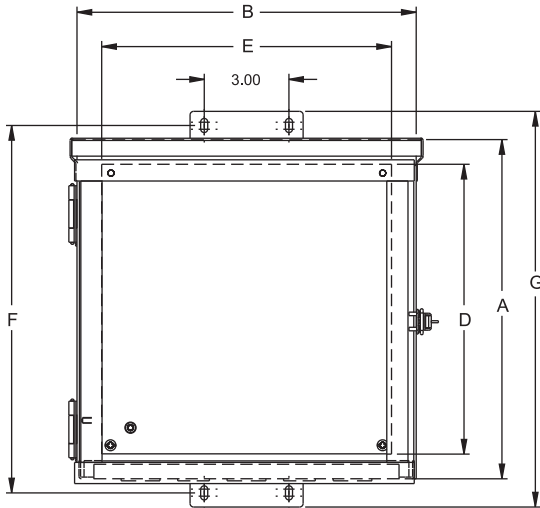
- Enclosure and cover are finished in ANSI 61 gray powder coating.

## Accessories

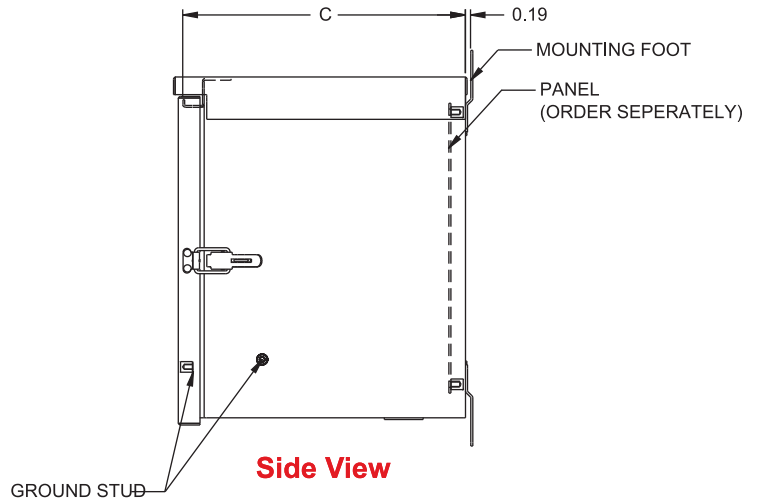
- Inner Panel...see next page

# Small Hinged Cover Enclosures with Knockouts

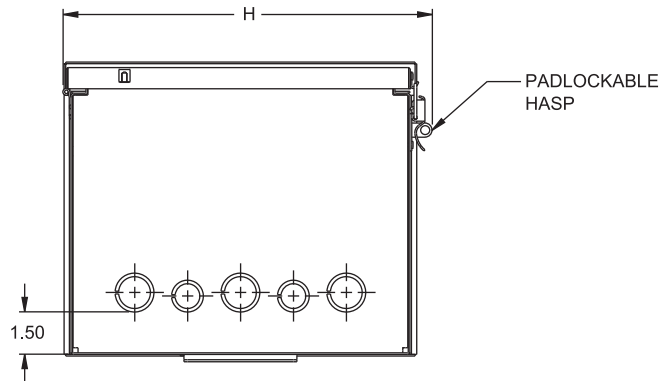
NEMA 3R

**Commercial Enclosures**


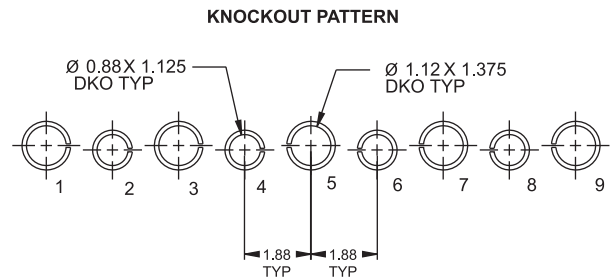
**Front View - Cover Removed**



**Side View**



**Bottom View**



| Part No.            | Optional Panel Part Number | Panel Size |    |    |       |       | Mounting F | Overall Dimensions |       |           | Knockout Pattern | Shipping Wt. lbs |
|---------------------|----------------------------|------------|----|----|-------|-------|------------|--------------------|-------|-----------|------------------|------------------|
|                     |                            | A          | B  | C  | D     | E     |            | G                  | H     |           |                  |                  |
| <b>C3R644HCR</b>    | <b>N1JP64</b>              | 6          | 4  | 4  | 4.25  | 2.25  | 7.00       | 8.00               | 5.10  | 2-3-4     | 3                |                  |
| <b>C3R664HCR</b>    | <b>N1JP66</b>              | 6          | 6  | 4  | 4.25  | 4.25  | 7.00       | 8.00               | 7.10  | 2-3-4     | 5                |                  |
| <b>C3R864HCR</b>    | <b>N1JP86</b>              | 8          | 6  | 4  | 6.25  | 4.25  | 9.00       | 10.00              | 7.10  | 2-3-4     | 6                |                  |
| <b>C3R886HCR</b>    | <b>N1JP88</b>              | 8          | 8  | 6  | 6.25  | 6.25  | 9.00       | 10.00              | 9.10  | 6-7-8-9   | 8                |                  |
| <b>C3R1086HCR</b>   | <b>N1JP108</b>             | 10         | 8  | 6  | 8.25  | 6.25  | 11.00      | 12.00              | 9.10  | 6-7-8-9   | 9                |                  |
| <b>C3R12106HCR</b>  | <b>N1JP1210</b>            | 12         | 10 | 6  | 10.25 | 8.25  | 13.00      | 14.00              | 11.10 | 3-4-5-6-7 | 11               |                  |
| <b>C3R12126HCR</b>  | <b>N1JP1212</b>            | 12         | 12 | 6  | 10.25 | 10.25 | 13.00      | 14.00              | 13.10 | 3-4-5-6-7 | 13               |                  |
| <b>C3R121210HCR</b> | <b>N1JP1212</b>            | 12         | 12 | 10 | 10.25 | 10.25 | 13.00      | 14.00              | 13.10 | 3-4-5-6-7 | 20               |                  |

Technical references and CAD downloads available at [www.hammondmfg.com](http://www.hammondmfg.com)

All dimensions in inches unless specified otherwise

**Quality Products. Service Excellence.**