

Heavy Duty Double Throw Safety Switch

Type VBII, 30 Amp, Type 1 (Indoor)

Standards and Ratings

- UL Listed under file #E4776
- Meets UL98 for switches and UL50 for enclosures
- Suitable for use as Transfer Equipment on optional standby systems as defined by Article 702 of the NEC
- Meets NEMA Standard KS-1 for enclosed switches (Type HD)
- Meets NEC wire bending space requirements
- Suitable for use as Service Equipment
- Rated 10,000 AIC with Class H or 200,000 AIC when used with or protected by Class R or J fuses (fuse ampere rating must not exceed switch ampere rating)

Features

- Quick-make and break switching action
- Visible blade, double break construction
- Highly visible ON/OFF indication
- Modular design allows quick and easy replacement of parts
- Front removable lugs which can easily be converted to copper body or compression type lugs
- Defeatable dual cover interlock
- All copper current carrying parts¹
- Tangential knockouts
- Handle is padlockable in OFF position

General Information

Catalog Number	Max AC Volts	Description	Shipping Weight (lbs)
DTF321 2	240	Fusible, 3 Pole, 3 Wire	38
DTF361 2	600	Fusible, 3 Pole, 3 Wire	38
DTNF221	240	Non-fusible, 2 Pole, 2 Wire	33
DTNF321	240	Non-fusible, 3 Pole, 3 Wire	34
DTNF361	600	Non-fusible, 3 Pole, 3 Wire	34

Horsepower Ratings 3

Catalog Number	240V 1Ø		240V 3Ø		480V 3Ø		600V 3Ø		250V DC	
	Std	Max	Std	Max	Std	Max	Std	Max	Std	Max
DTF321	1½	3	3	7½	—	—	—	—	5	—
DTF361	1½	3	3	7½	5	15	7½	20	5	—
DTNF221	—	5	—	10	—	—	—	—	—	5
DTNF321	—	5	—	10	—	—	—	—	—	5
DTNF361	—	5	—	10	—	20	—	30	—	5

Mechanical Lug Wire Ranges (60/75°C, Cu/Al)

Description	Wire Range
Line, Load	#12-6 AWG (Al) or
Neutral	#14-6 AWG (Cu)
Ground	#14-4 AWG

¹ Lugs are aluminum alloy as standard. Optional copper body lugs are available.

² Fusible switches accept: Class H fuses as standard or Class R fuses with kit. Catalog number DTF361 also accepts Class J fuses (move load base).

³ Dual horse ratings: Std - applies when non-time delay fuses are installed. Max - applies when time-delay fuses are installed.

Product Specification Sheet HD30.13

Answers for industry.

SIEMENS

Product Specification Sheet #HD30.13 (page 2 of 2)

Accessories

Catalog Number	Description
HA161234	Auxiliary Switch (1-NO & 1 NC) ¹
HA261234	Auxiliary Switch (2-NO & 2 NC) ¹
HA361234	Low Voltage Auxiliary Switch ¹
HG61234	Equipment Ground Lug Kit (two lugs provided)
HG261234	Isolated Equipment Ground Lug Kit
HP61	Fuse Puller (3 per kit, (2) kits required per switch)
HNC612	Neutral Kit
HR21	240 Volt Class R Fuse Clip Kit (3 fuse clips per kit, (2) kits required per switch)
HR612	600 Volt Class R Fuse Clip Kit (3 fuse clips per kit, (2) kits required per switch)
HLC612	Copper Lug Kit (9 lugs per kit)
HCL612	Compression Lug Neutral Barrier Kit

Compression Lugs (UL listed for field installation) ²

Wire Size	Burdny		Thomas-Betts		Ilsco	
	CU Only	CU/AL	CU Only	CU/AL	CU Only	CU/AL
#14-10				60096 60097		
#8	YA8C-L BOX YA8C-L1 BOX		54104 54130	60101 60102 61102	CRA-8	ACL-8 ACN-8
#6				61107		

¹ Catalog number is same as switch catalog number plus "DOOR" suffix.

Replacement Parts

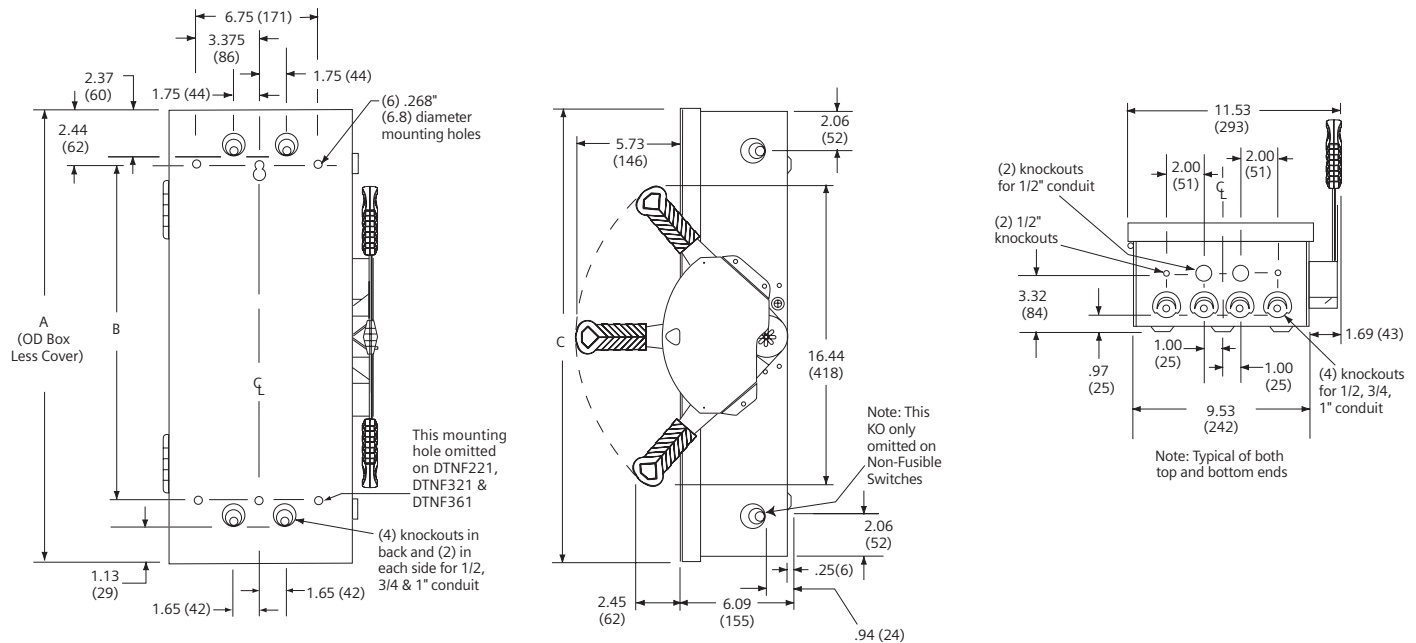
Catalog Number	Description
HFB21	Fusible 240 Volt Line Side Replacement Base (2) kits required per switch
HBB21	Fusible 240 Volt Load Side Replacement Base (2) kits required per switch
HFB612	Fusible 600 Volt Line Side Replacement Base (2) kits required per switch
HBB612	Fusible 600 Volt Load Side Replacement Base (2) kits required per switch
HNB612	Non-fusible Replacement Line Base (2) Kits required per switch
HH61234	Replacement Handle/Handle Guard
HL612	Replacement Lugs (3 lugs per kit)
HM6123 1	Replacement Mechanism (2) kits required per switch Replacement Door

Dimensions and Wire Bending Space

Catalog Number	Dimensions			Wire Bending Space	
	A	B	C	Top	Bottom
DTNF221					
DTNF321	24.50 (622)	19.00 (483)	24.98 (634)	4.75	4.75
DTNF361					
DTF321	29.14 (740)	23.50 (597)	29.63 (753)	4.75	7.50
DTF361				4.75	4.75

² If compression lugs are used for the neutral, order compression lug neutral barrier kit HCL612.

Dimension Drawing



Dimensions shown in inches and millimeters ().
Dimension shown accurate to $\pm 1/8$ inch.

Enclosure: Cold Rolled Steel .053 Thick (17 Gauge)
Finish – ANSI Grey #61 Paint