

# Heavy Duty Double Throw Safety Switch

## Type VBII, 400 & 600 Amp, Type 1 (Indoor)

### Standards and Ratings

- UL Listed under file #E4776
- Meets UL98 for switches and UL 50 for enclosures
- Meets NEMA Standard KS-1 for enclosed switches
- Meets NEC wire bending space requirements
- Rated 10,000 AIC with Class H or 200,000 AIC when used with or protected by Class R, J or T fuses
- Suitable for use as Transfer Equipment on optional standby systems as defined by Article 702 of the NEC

- Suitable for use as service entrance equipment

### Features

- Quick-make and break switching action
- Visible blade design
- Highly visible ON/OFF indication
- Modular design allows quick and easy replacement of parts
- Front removable lugs which can easily be converted to copper body or compression type lugs
- Handle is padlockable in the OFF position

### General Information

Catalog Number	Ampere Rating	Volts	Description	Shipping Weight (lbs.)
DTF325	400	240		405
DTF326	600	600	Fusible, 3 Pole, 3 Wire	415
DTF365	400	600		405
DTNF225 <sup>1</sup>	400	240	Non-fusible, 2 Pole, 2 Wire	268
DTNF325	400	240	Non-fusible, 3 Pole, 3 Wire	277
DTNF326	600	240	Non-fusible, 3 Pole, 3 Wire	285
DTNF365	400	600	Non-fusible, 3 Pole, 3 Wire	277
DTNF366	600	600	Non-fusible, 3 Pole, 3 Wire	285

Note: All switches are also rated 250V DC max. Fusible switches accept Class J fuses as standard and Class T fuses by re-locating load bases.

### Horsepower Ratings <sup>2</sup>

Catalog Number	240V 2 Ø, 4W		240V 3 Ø		480V 3 Ø		600V 3 Ø		250V DC
	Std	Max	Std	Max	Std	Max	Std	Max	
DTF325	25	50	50	125	—	—	—	—	50
DTF326	25	50	75	200	—	—	—	—	50
DTF365	25	50	50	125	100	250	125	350	50
DTNF225	—	50	—	125	—	—	—	—	50
DTNF325	—	50	—	125	—	—	—	—	50
DTNF326	—	50	—	200	—	—	—	—	50
DTNF365	—	50	—	125	—	250	—	350	50
DTNF366	—	50	—	200	—	400	—	500	50

### Mechanical Lug Wire Ranges

Description	Wire Range
Line, Load 400 A	1/0 AWG - 750 Kcmil or (2) 1/0 AWG - 250 Kcmil
Line, Load 600A	(2) 1/0 AWG - 500 Kcmil or (3) 1/0 - 250 Kcmil
Standard and 200% Ground	(2) #6 AWG - 250 Kcmil
Neutral	(2) 1/0 AWG - 500 Kcmil

<sup>1</sup> This switch are UL Listed for application on grounded B phase systems.

<sup>2</sup> Dual horsepower ratings: Std - applies when non-time delay fuses are installed. Max - applies when time-delay fuses are installed.

## Product Specification Sheet HD400.12

Answers for industry.

**SIEMENS**

# Product Specification Sheet #HD400.12 (page 2 of 2)

## Accessories

Catalog Number	Description
HA165678	Auxiliary Switch (1-NO & 1 NC)
HA265678	Auxiliary Switch (2-NO & 2 NC)
HG656	Equipment Ground Lug Kit
HG2656	Isolated Equipment Ground Lug Kit
HN678	Neutral Kit
HLC65678	Copper Lug Kit (1 lug per kit)
HCL65	Compression Lug Mounting Kit (2 kits/pole required, allows for (1) lug/Ø)

## Compression Lugs <sup>3</sup>

Wire Size	Burdndy		Thomas-Betts		IlSCO	
	CU ONLY	CU/AL	CU ONLY	CU/AL	CU ONLY	CU/AL
2/0	YA26-N	YA26-A1	54160 54951BE			IACL-2/0 ACN-2/0
3/0	YA27-L Box YA27	YA27-A3	54165-TB 54965BE		CRB-3/0 CRB-3/OL	IACN-3/0 ACN-3/0
4/0	YA28-L Box YA28	YA28-A3	54170 54970BE	60150	CRB-4/0 CRB-4/OL	IACL-4/0 ACN-4/0
250 Kcmil	YA29-L Box YA29	YA29-A1	54113 54913BE	61156 60156	CRA-250 CRA-250L	IACL-250 ACL-250
300 Kcmil	YA30-L YA30	YA30-A1	54114 54914BE	61162 60162	CRA-300 CRA-300L	IACL-300 ACL-300
350 Kcmil	YA31-L YA31	YA31-A1	54915BE	61165 60165	CRA-350 CRA-350L	IACL-350 ACL-350
400 Kcmil	YA32-N		54116 54916BE			
500 Kcmil	YA34-L6 YA34-N			61171		IACL-500

## Replacement Parts

Catalog Number	Description
HFB65 <sup>1 2</sup>	Fusible Line Side Replacement Base 400A
HFB66 <sup>1 2</sup>	Fusible Line Side Replacement Base 600A
HBB656 <sup>1 2</sup>	Fusible Load Side Replacement Base 400 and 600A
HNB65 <sup>1 2</sup>	Non-fusible, Line Side Replacement Base 400A
HNB66 <sup>1 2</sup>	Non-fusible, Line Side Replacement Base 600A
HHD656	Replacement Handle/Handle Guard
HL65678 <sup>2</sup>	Replacement Lugs (1 lug per kit)

## Dimensions and Wire Bending Space

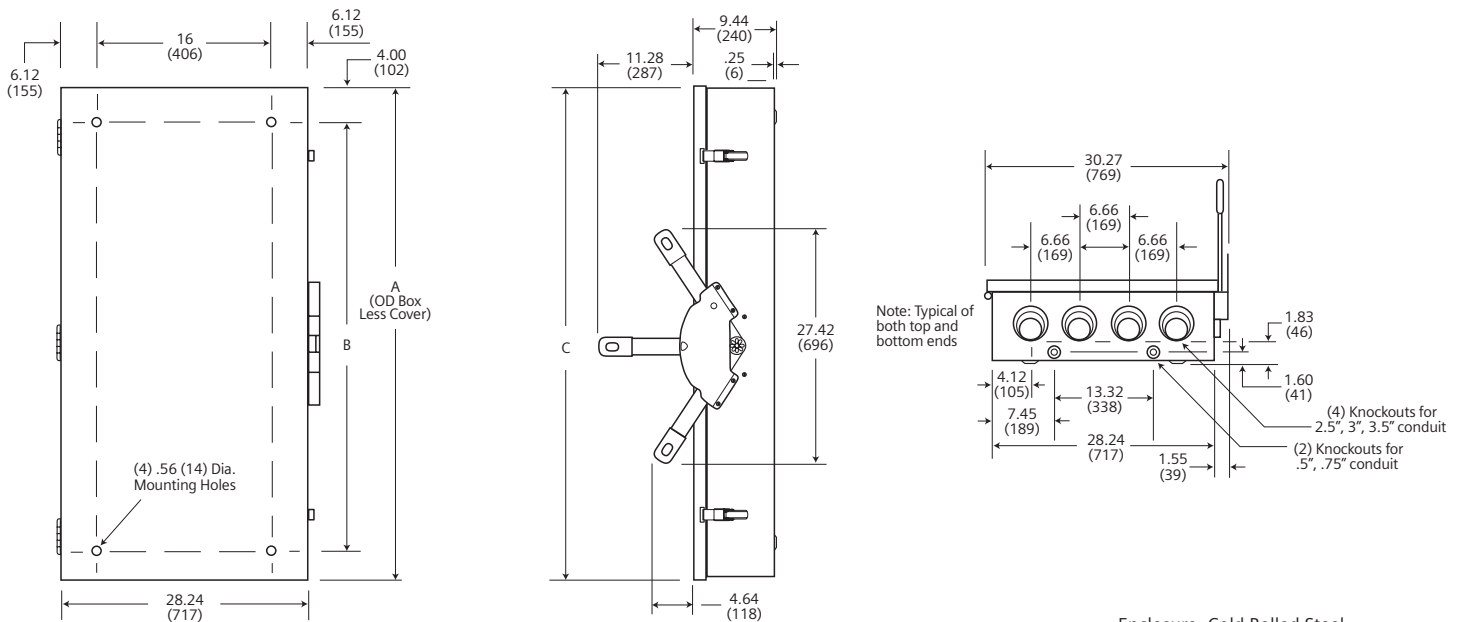
Catalog Number	Dimensions			Wire Bending Space	
	A	B	C	Top	Bottom
DTNF225					
DTNF325	57.71	49.75	58.46	14.00	14.00
DTNF326	(1466)	(1264)	(1485)	(356)	(356)
DTNF365					
DTNF366					
DTF325	73.54	65.50	74.29	14.00	14.88
DTF326	(1868)	(1664)	(1887)	(356)	(378)
DTF365					

1 (2) required per pole.

2 Lugs are not provided on Line and Load Replacement Base Assemblies. Order Lug Kits.

3 If compression lugs are used, order compression lug kit HCL65678.

## Dimension Drawing



Dimensions shown in inches and millimeters ( ).  
Dimension shown accurate to  $\pm \frac{1}{8}$  inch.

Enclosure: Cold Rolled Steel  
Box .093 (12 Gauge)  
Ends .053 (16 Gauge)  
Finish: ANSI Grey #61 Paint