

BASE, PLASTIC, FOR FLOOR MOUNTING



Figure similar

General technical data:

product brand name		SIRIUS
Equipment marking acc. to DIN EN 61346-2		U

Mechanical data:

Outer diameter of the signal column element	mm	50
---	----	----

Ambient conditions:

Ambient temperature during operation	°C	-20 ... +50
Height	mm	37
Width	mm	70

Certificates/ approvals:

General Product Approval	EMC	Declaration of Conformity	Shipping Approval
--------------------------	-----	---------------------------	-------------------



Further information

Information- and Downloadcenter (Catalogs, Brochures,...)

<http://www.siemens.com/industrial-controls/catalogs>

Industry Mall (Online ordering system)

<http://www.siemens.com/industrymall>

Cax online generator

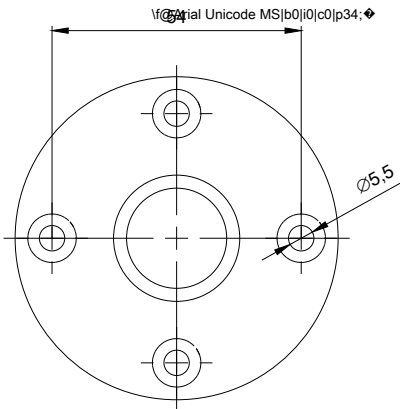
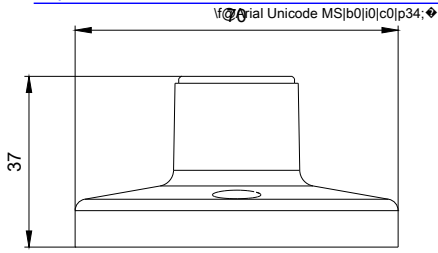
<http://support.automation.siemens.com/WW/CAXorder/default.aspx?lang=en&mlfb=8WD42080DE>

Service&Support (Manuals, Certificates, Characteristics, FAQs,...)

<https://support.industry.siemens.com/cs/ww/en/ps/8WD42080DE>

Image database (product images, 2D dimension drawings, 3D models, device circuit diagrams, EPLAN macros, ...)

http://www.automation.siemens.com/bilddb/cax_de.aspx?mlfb=8WD42080DE&lang=en



last modified:

05.05.2015