

Adapter for actuator and signaling units with front ring for flush installation, 30 mm



Product brand name	SIRIUS ACT
Product designation	Adapter
Design of the product	for flat command devices
Product type designation	3SU1

General technical data

Protection class IP	IP66, IP67, IP69(IP69K)
---------------------	-------------------------

Installation/ mounting/ dimensions

(height)	43.7 mm
Width	34.4 mm
Installation depth	12.3 mm

Accessories

Material of accessory	Metal
Color of accessory	Silver

Certificates/approvals

General Product Approval	Declaration of Conformity	Test Certificates
--------------------------	---------------------------	-------------------



[Miscellaneous](#)

[Special Test Certificate](#)

Test Certificates	Marine / Shipping
-------------------	-------------------

[Type Test Certificates/Test Report](#)



Marine / Shipping	other
-------------------	-------



[Confirmation](#)

Further information

Information- and Downloadcenter (Catalogs, Brochures,...)

<http://www.siemens.com/industrial-controls/catalogs>

Industry Mall (Online ordering system)

<https://mall.industry.siemens.com/mall/en/en/Catalog/product?mlfb=3SU1950-0KJ80-0AA0>

Cax online generator

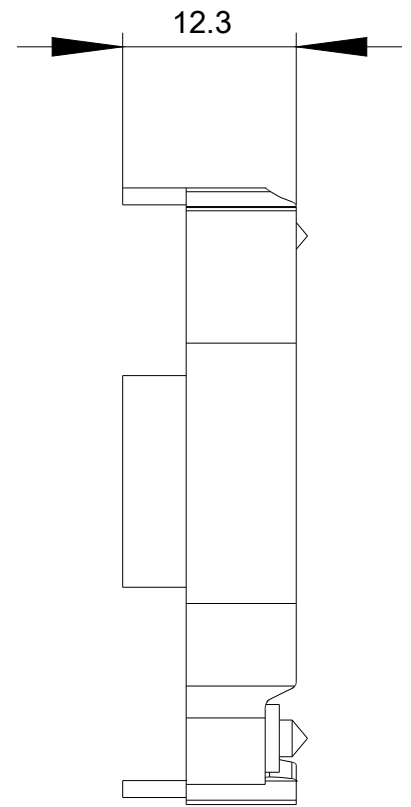
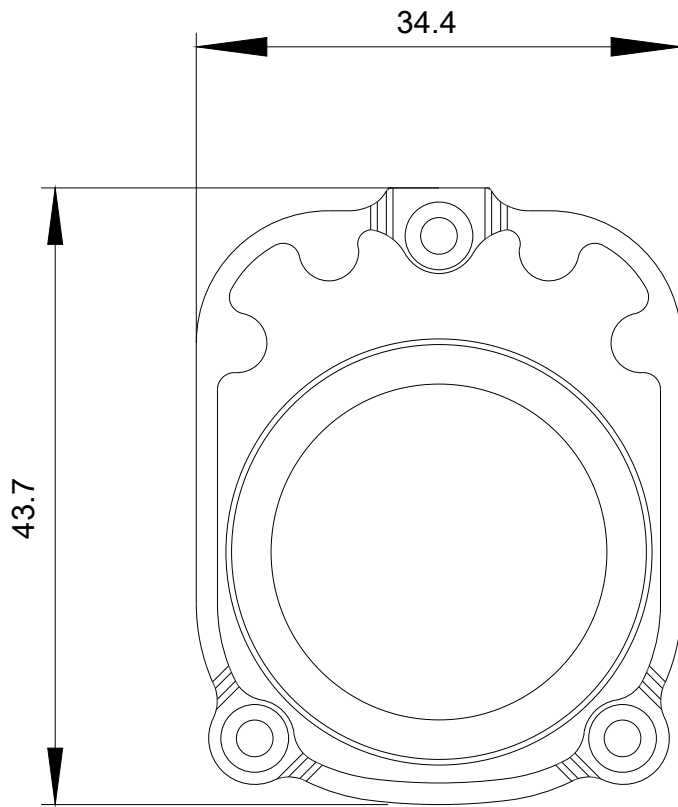
<http://support.automation.siemens.com/WW/CAXorder/default.aspx?lang=en&mlfb=3SU1950-0KJ80-0AA0>

Service&Support (Manuals, Certificates, Characteristics, FAQs,...)

<https://support.industry.siemens.com/cs/ww/en/ps/3SU1950-0KJ80-0AA0>

Image database (product images, 2D dimension drawings, 3D models, device circuit diagrams, EPLAN macros, ...)

http://www.automation.siemens.com/bilddb/cax_de.aspx?mlfb=3SU1950-0KJ80-0AA0&lang=en



last modified:

04/08/2019