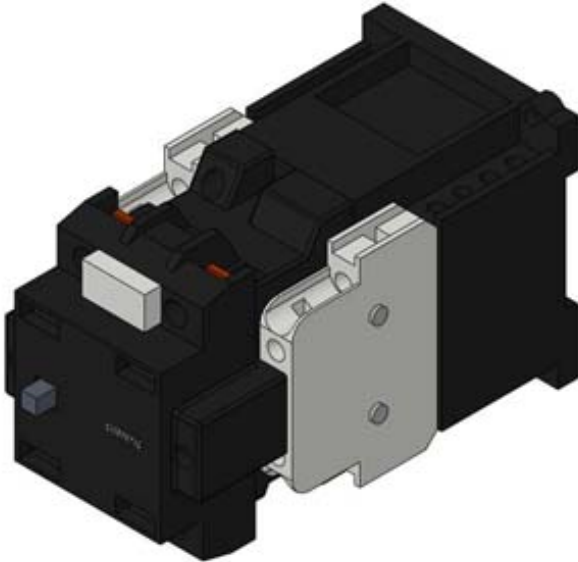


CONTACTOR, SIZE 2, 2-POLE DC-3 AND  
5,RATD.OPERAT.CURR.32A AUXILIARY CONTACTS 22  
(2NO+2NC) DC OPERATION DC 230V



#### General technical data:

Size of contactor	2
Number of poles	2
Equipment marking acc. to DIN 40719 extended according to IEC 204-2 acc. to IEC 750	K
Equipment marking acc. to DIN EN 61346-2	Q
Protection class IP	IP00
Ambient temperature during operation	-25 ... +55 °C

#### Control circuit/ Control:

Type of voltage	DC
Control supply voltage	
<ul style="list-style-type: none"> <li>at DC rated value</li> </ul>	230 ... 230 V

#### Main circuit:

Number of NO contacts for main contacts	2
Number of NC contacts for main contacts	0
Operating current	
<ul style="list-style-type: none"> <li>at DC-3 at DC-5</li> <li>— at 440 V rated value</li> </ul>	29 A

— at 220 V rated value	32 A
— at 600 V rated value	21 A
— at 750 V rated value	7.5 A

#### Operating power

• at DC-3 at DC-5	
— at 110 V rated value	2.5 kW
— at 220 V rated value	5 kW
— at 440 V rated value	9 kW
— at 600 V rated value	9 kW
— at 750 V rated value	4 kW

#### Auxiliary circuit:

Identification number and letter for switching elements	22
Number of NO contacts for auxiliary contacts	2
Number of NC contacts for auxiliary contacts	2
Number of CO contacts for auxiliary contacts	0

#### Connections/ Terminals:

Type of electrical connection for main current circuit	screw-type terminals
Type of electrical connection for auxiliary and control current circuit	screw-type terminals

#### Mechanical data:

Mounting type	screw and snap-on mounting onto 35 mm standard mounting rail according to DIN EN 50022
Mounting type Side-by-side mounting	Yes
Width	70 mm
Height	85 mm
Depth	145 mm

#### Certificates/ approvals:

General Product Approval	Functional Safety/Safety of Machinery	Declaration of Conformity
--------------------------	---------------------------------------	---------------------------



[Baumusterprüfbescheinigung](#)



Test Certificates	Shipping Approval	other
-------------------	-------------------	-------

[spezielle Prüfbescheinigungen](#)



[sonstige](#)

### Further information

**Information- and Downloadcenter (Catalogs, Brochures,...)**

<http://www.siemens.com/industrial-controls/catalogs>

**Industry Mall (Online ordering system)**

<http://www.siemens.com/industrymall>

**Cax online generator**

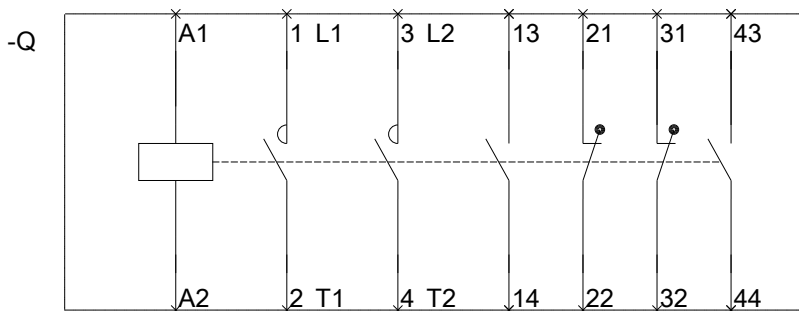
<http://support.automation.siemens.com/WW/CAXorder/default.aspx?lang=en&mlfb=3TC44170AP4>

**Service&Support (Manuals, Certificates, Characteristics, FAQs,...)**

<https://support.industry.siemens.com/cs/ww/en/ps/3TC44170AP4>

**Image database (product images, 2D dimension drawings, 3D models, device circuit diagrams, EPLAN macros, ...)**

[http://www.automation.siemens.com/bilddb/cax\\_de.aspx?mlfb=3TC44170AP4&lang=en](http://www.automation.siemens.com/bilddb/cax_de.aspx?mlfb=3TC44170AP4&lang=en)



last modified:

09.04.2016